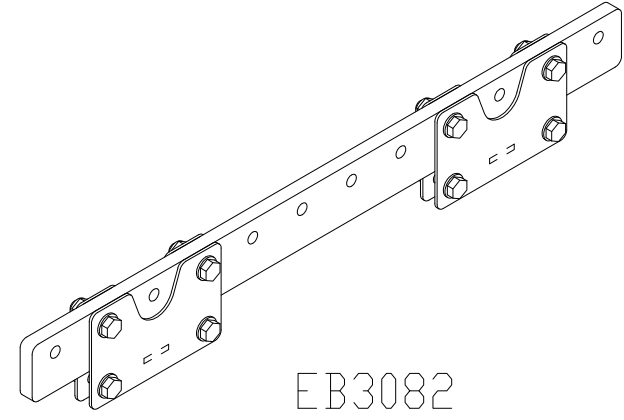
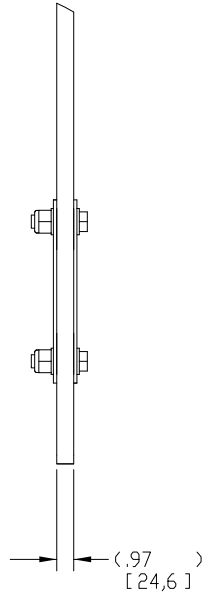
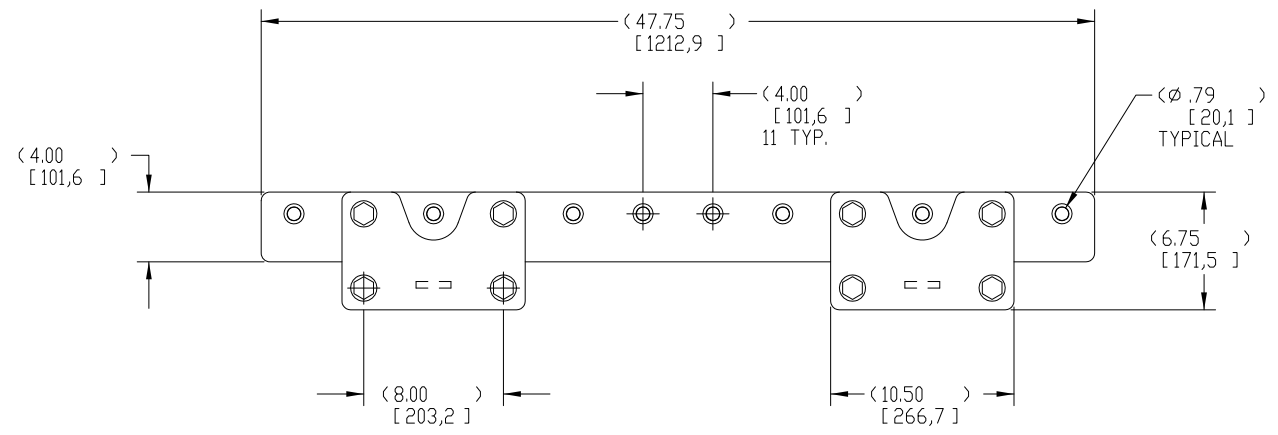
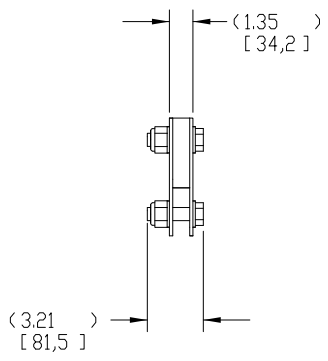


THIS DOCUMENT CONTAINS PROPRIETARY INFORMATION WHICH IS THE PROPERTY OF QSC AUDIO PRODUCTS. THAT MAY NOT BE REPRODUCED, REPRODUCED OR USED WITHOUT EXPRESS WRITTEN CONSENT FROM QSC AUDIO PRODUCTS.

REVISIONS				
REV	DESCRIPTION	EFF DATE	CHK	APPROVED DATE
A	PRODUCTION RELEASE PER ECO 7895 RS	03-28-07		B.H.



EB3082



- 3. SYMBOL © INDICATES SUSPENSION POINT,  $\phi$  .79".
- 2. SHIPPING WEIGHT APPROX. 30.5 LBS (13.9 KG).
- 1. NET WEIGHT APPROX. 27 LBS (12.3 KG).
- NOTE: UNLESS OTHERWISE SPECIFIED

UNLESS OTHERWISE SPECIFIED DIMENSIONS ARE IN INCHES. TOLERANCES ARE: DECIMALS DECIMALS ANGLES .XX ±.02 .XXX ±.010 ±1/2 DEBURR EDGES .010 R MAX	CONTRACT NO.		QSC AUDIO PRODUCTS, INC. 1675 MACARTHUR BOULEVARD COSTA MESA, CA 92626				
	APPROVALS	DATE					
	DRAWN J. DELARM	07-Feb-07	ASSY, EXTENSION BAR, EB3082				
	CHECKED B. HAWKINS	12-11-06					
MATERIAL NONE	ISSUED D. DELARM	12-12-06	SCALE 0.188	SIZE C 00PW4	CAGE CODE RD-000445-01	DWG NO. RD-000445-01	REV A
FINISH NONE	DO NOT SCALE DRAWING		CH-000670-XX.main.A.2		SHEET 1 of 1		

DWG NO. RD-000445-01

SHEET 1 of 1

REV A