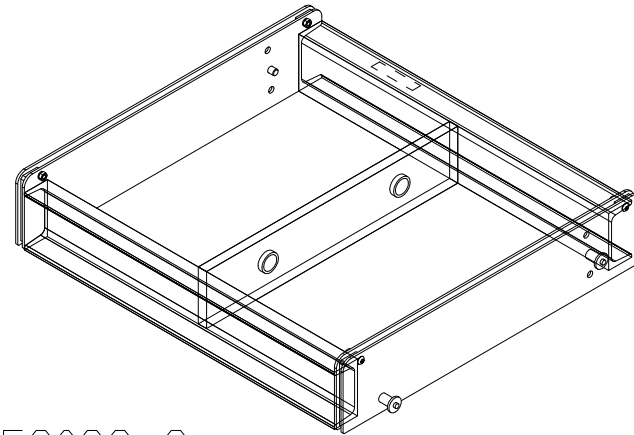
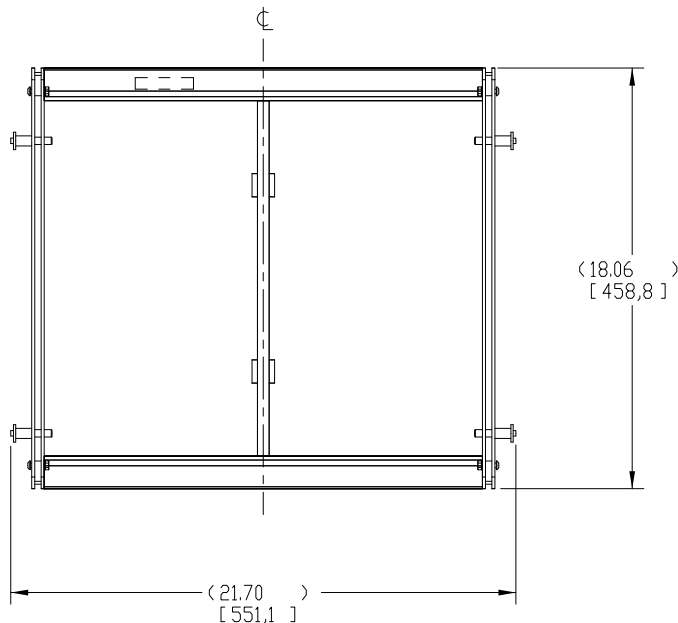
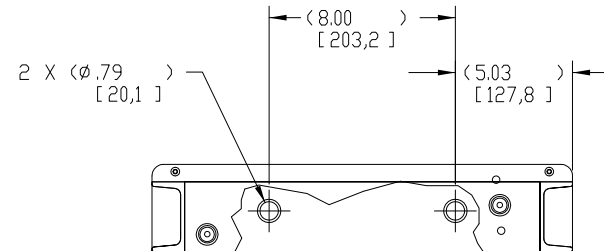
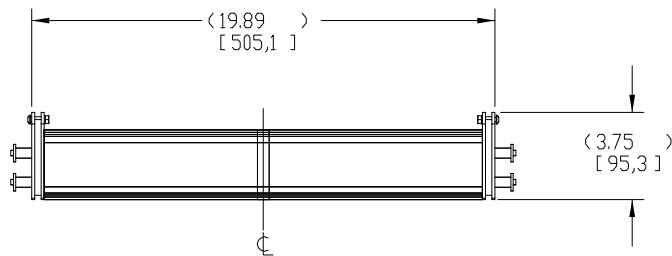


THIS DOCUMENT CONTAINS PROPRIETARY INFORMATION WHICH IS THE PROPERTY OF QSC AUDIO PRODUCTS. THAT MAY NOT BE REPRODUCED, REPRODUCED OR USED WITHOUT EXPRESS WRITTEN CONSENT FROM QSC AUDIO PRODUCTS.

REVISIONS				
REV	DESCRIPTION	EFF DATE	CHK	APPROVED DATE
A	PRODUCTION RELEASE PER ECO 7895 RS	03-28-07		B.H.



AF3082-S



4. PARTS ARE SYMMETRICAL ABOUT CENTER LINES UNLESS OTHERWISE NOTED.
 3. SYMBOL © INDICATES SUSPENSION POINT, Ø .32".
 2. SHIPPING WEIGHT APPROX. 13.5 LBS (6.0 KG).
 1. NET WEIGHT APPROX. 11 LBS (5.0 KG).
- NOTE: UNLESS OTHERWISE SPECIFIED

UNLESS OTHERWISE SPECIFIED DIMENSIONS ARE IN INCHES. TOLERANCES ARE: DECIMALS DECIMALS ANGLES .XX ±.02 .XXX ±.010 ±1/2 DEBURR EDGES .010 R MAX	CONTRACT NO.		QSC AUDIO PRODUCTS, INC. 1675 MACARTHUR BOULEVARD COSTA MESA, CA 92626	
	APPROVALS	DATE		
MATERIAL	DRAWN J. DELARM	07-Feb-07	ASSY, FRAME, AF3082-S	
FINISH	CHECKED B. HAWKINS	07-Feb-07		
DO NOT SCALE DRAWING	ISSUED D. DELARM	12-15-06	SIZE C	CAGE CODE 00PW4
	CH-000610-XX.main.A.1		DWG NO. RD-000443-01	REV A
			SCALE 0.250	SHEET 1 of 1

DWG NO. RD-000443-01

1
A

A