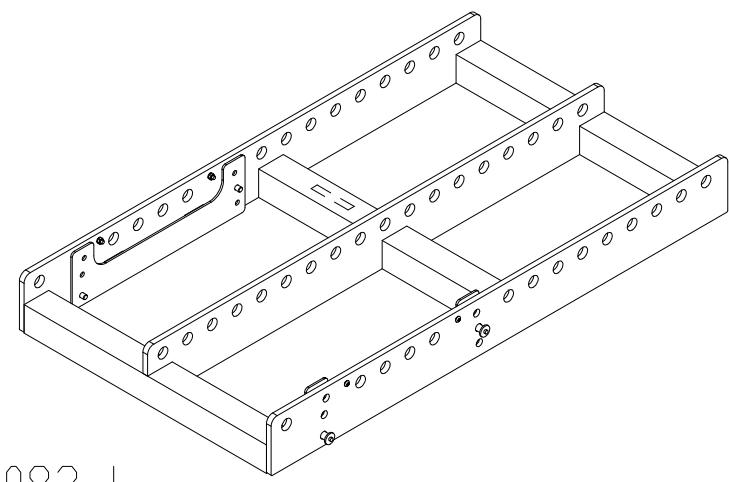
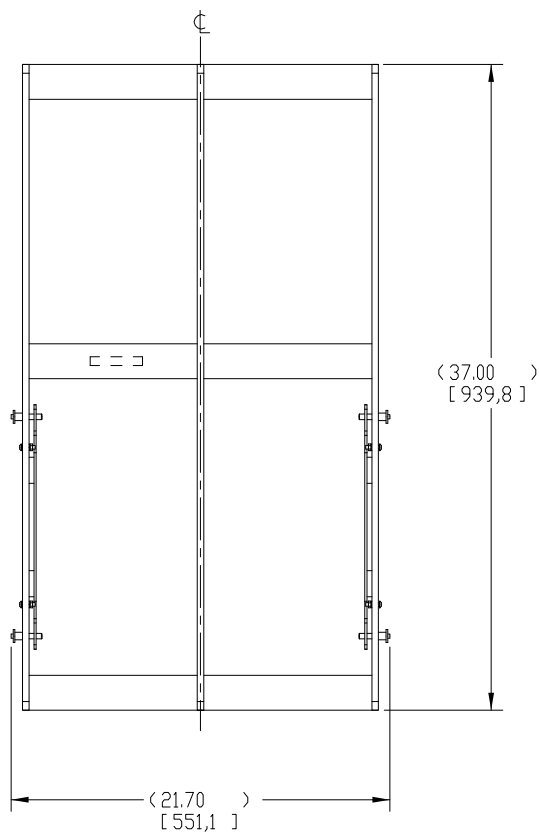
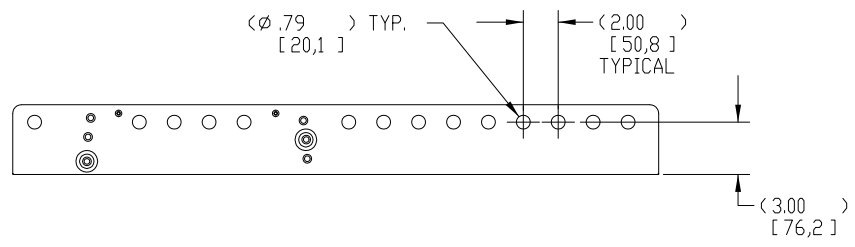
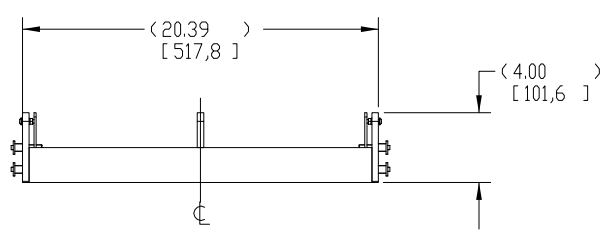


THIS DOCUMENT CONTAINS PROPRIETARY INFORMATION WHICH IS THE PROPERTY OF QSC AUDIO PRODUCTS. THAT MAY NOT BE REPRODUCED, REPRODUCED OR USED WITHOUT EXPRESS WRITTEN CONSENT FROM QSC AUDIO PRODUCTS.

REVISIONS				
REV	DESCRIPTION	EFF DATE	CHK	APPROVED DATE
A	PRODUCTION RELEASE PER ECO 7895 RS	03-28-07		B.H.



AF3082-L



4. PARTS ARE SYMMETRICAL ABOUT CENTER LINES UNLESS OTHERWISE NOTED.
 3. SYMBOL © INDICATES SUSPENSION POINT, ϕ .32".
 2. SHIPPING WEIGHT APPROX. 31.5 LBS (14.3 KG).
 1. NET WEIGHT APPROX. 27 LBS (12.3 KG).
- NOTE: UNLESS OTHERWISE SPECIFIED

UNLESS OTHERWISE SPECIFIED DIMENSIONS ARE IN INCHES. TOLERANCES ARE: DECIMALS DECIMALS ANGLES .XX ±.02 .XXX ±.010 ±1/2 DEBURR EDGES .010 R MAX	CONTRACT NO.		QSC AUDIO PRODUCTS, INC. 1675 MACARTHUR BOULEVARD COSTA MESA, CA 92626	
	APPROVALS	DATE		
MATERIAL	NONE	DRAWN	J. DELARM	07-Feb-07
FINISH	NONE	CHECKED	B. HAWKINS	12-11-06
DO NOT SCALE DRAWING		ISSUED	A. RUTKIN	12-12-06
			D. DELARM	12-15-06
		SCALE	0.188	
		SIZE	C 00PW4	
		CAGE CODE		
		DWG NO.	RD-000444-01	REV A
		MODEL INFO	RD-000444-01A1+	SHEET 1 of 1
		DRAWING INFO		

DWG NO. RD-000444-01

SHEET 1 of 1

REV A