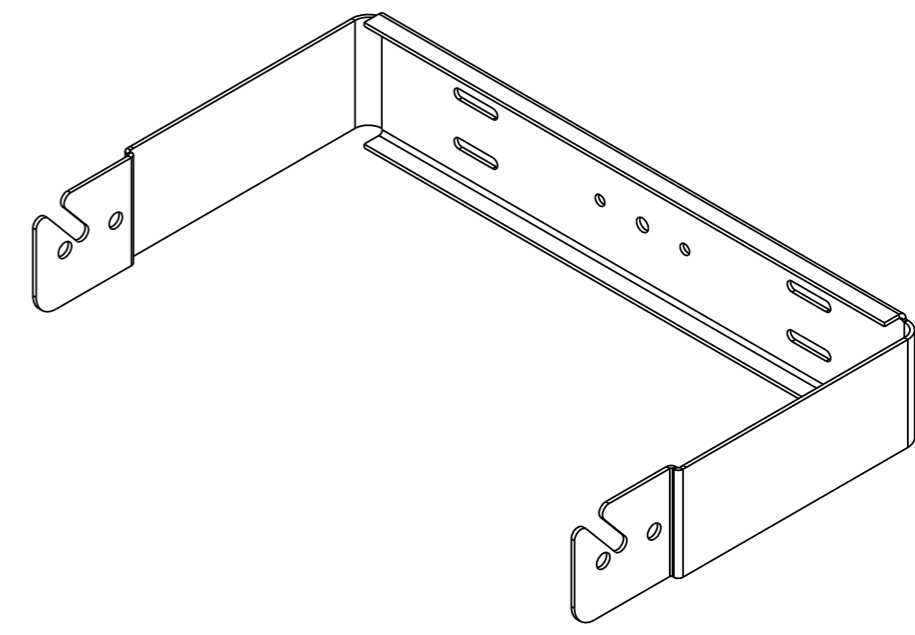
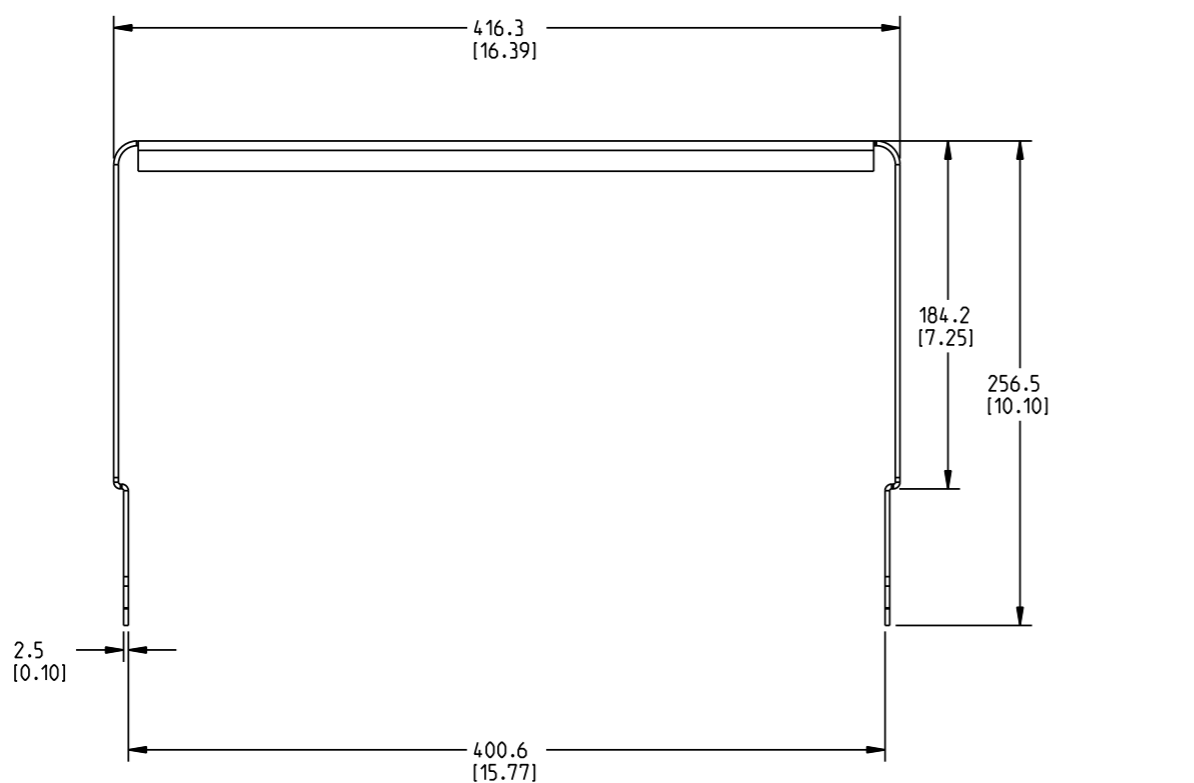
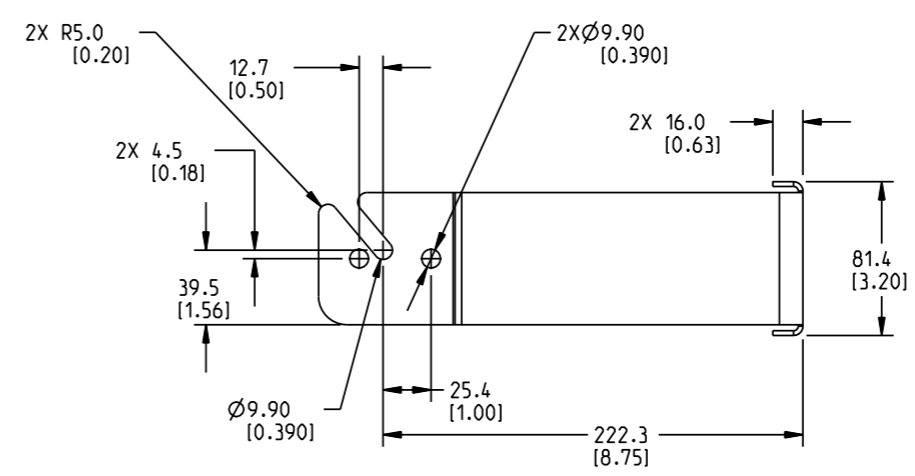
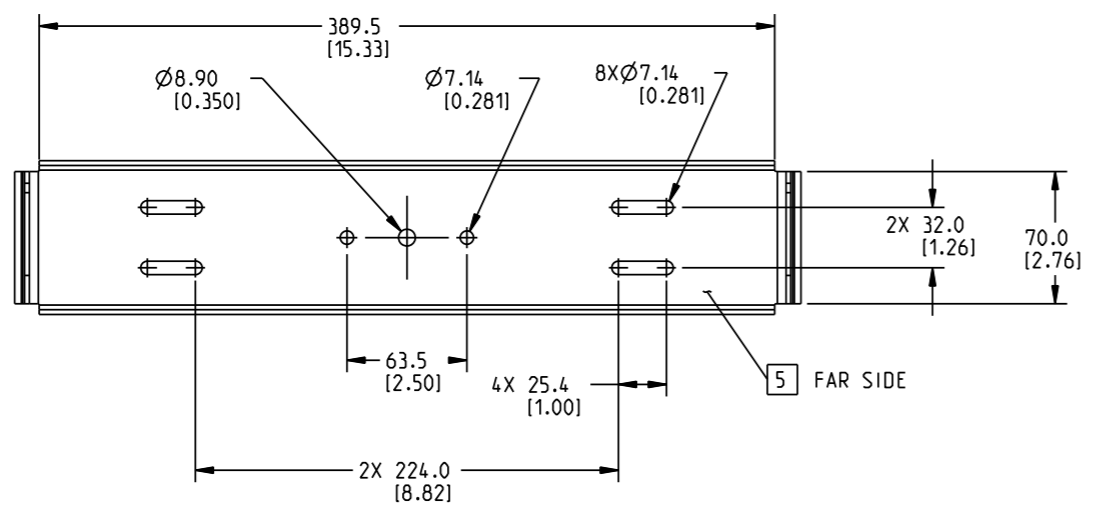


THIS DOCUMENT CONTAINS PROPRIETARY INFORMATION WHICH IS THE PROPERTY OF QSC AUDIO PRODUCTS. THAT MAY NOT BE DISCLOSED, REPRODUCED OR USED WITHOUT EXPRESS WRITTEN CONSENT FROM QSC AUDIO PRODUCTS.

REVISIONS					
REV	ECO	DESCRIPTION	BY	EFF DATE	ISSUED
A	12074	PRODUCTION RELEASE W/O CHANGE	VU	28-AUG-12	DD



SCALE 0.500



- 7. SUPPLIER SHALL PROVIDE A FIRST ARTICLE INSPECTION REPORT PER QAP-043
 - 6. SURFACE FINISHES SHALL BE GRADE "C" PER PRODUCT SPECIFICATION RD-000366-00
 - 5. IDENTIFY PART NUMBER, REVISION AND DATE CODE WHERE INDICATED WITH PERMANENT INK, SILKSCREEN OR IMPRESSION STAMPED WITH 4.8MM HIGH CHARACTERS.
 - 4. ALL DIMENSIONS NOT SHOWN ARE DERIVED FROM CONTROLLED DATA FILE: <DWG NO.> <CURRENT REV>.
 - 3. THIS PART MUST BE ROHS COMPLIANT PER QSC RD-000160-00. SUPPLIER TO PROVIDE A CERTIFICATE OF ROHS COMPLIANCE.
 - 2. FINISH: POWDER COAT PER QSC DOCUMENT RD-000388-00.
 - 1. MATERIAL: COLD ROLLED STEEL , ASTM A108
- NOTE: UNLESS OTHERWISE SPECIFIED

UNLESS OTHERWISE SPECIFIED DIMENSIONS IN MILLIMETERS (IN)	APPROVALS		DATE (DD-MMM-YY)	QSC AUDIO PRODUCTS, LLC 1675 MACARTHUR BOULEVARD COSTA MESA, CA 92626
	DRAWN		20-APR-12	
	ENG. SERVICES		23-AUG-12	
	CHECKED		22-AUG-12	
TOLERANCES ARE:				BRACKET, YM-400
DECIMALS	DECIMALS	ANGLES	CHECKED B. HAWKINS MFG ENG D. GALVAN 22-AUG-12	
.X±.01	.XX±.25(.010)	± 1/2	QA CHECK S. FELTS 22-AUG-12	
DEBURR EDGES .25 (1.01) R MAX			DRAWING INFO: CH-001162-00.A.3 MODEL INFO: CH-001162-00.A.3	
MATERIAL	1			SIZE D CAGE CODE 00PW4 DRAWING NO. CH-001162-00 SCALE: 0.500 DO NOT SCALE DRAWING SHEET 1 OF 1
FINISH	2			REV A