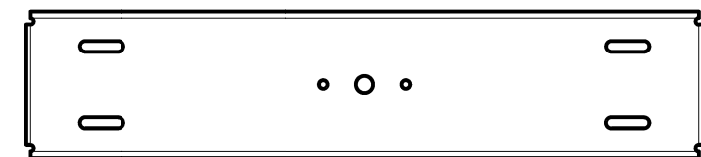
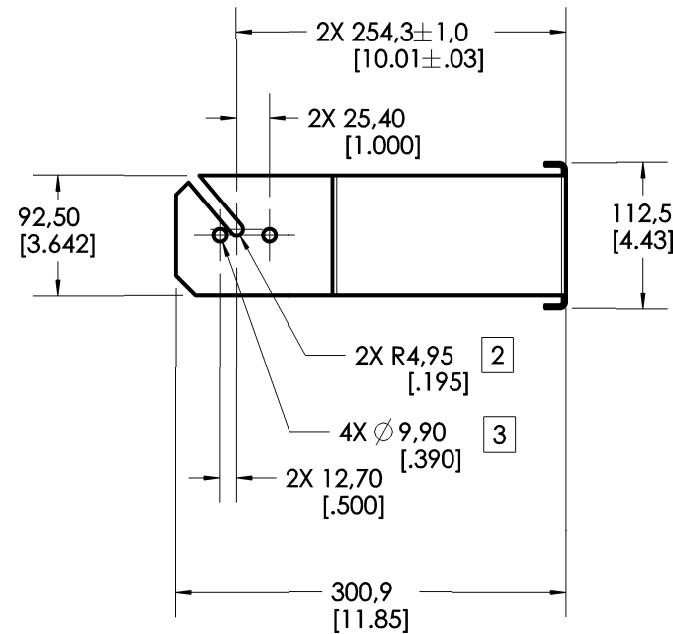
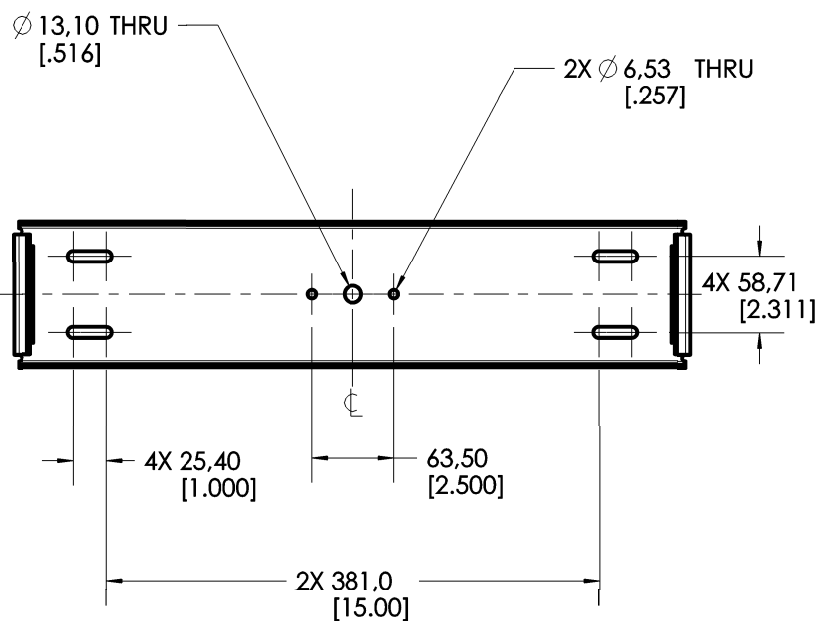
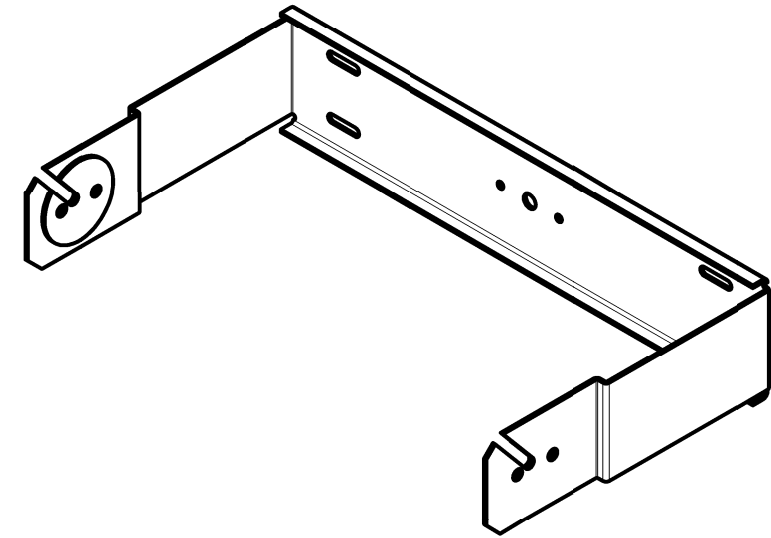
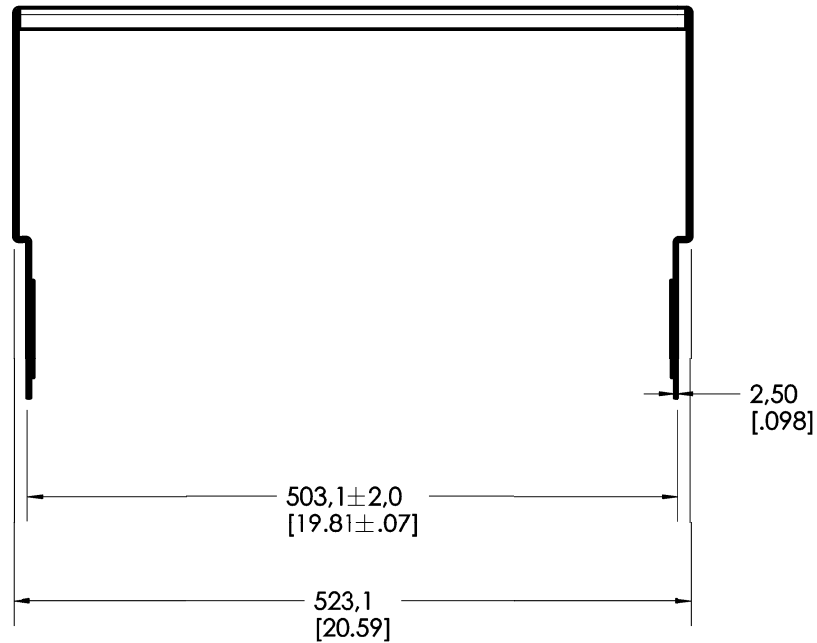


THIS DOCUMENT CONTAINS PROPRIETARY INFORMATION WHICH IS THE PROPERTY OF QSC, LLC. THAT MAY NOT BE DISCLOSED, REPRODUCED OR USED WITHOUT THE EXPRESS WRITTEN CONSENT FROM QSC, LLC.

REVISION			
REV	DESCRIPTION	BY	DATE
A	RELEASE TO SALES AND MARKETING	JK	11-MAY-16
B	UPDATED DRAWING FORMAT, SIMPLIFY PART FOR CUSTOMER USE	SS	12-MAR-19

- NOTE: UNLESS OTHERWISE SPECIFIED
- NET WEIGHT APPROX. 5.2 LBS (2.35 KG)
  - SUSPENSION POINT (WALL MOUNT).
  - SUSPENSION POINT (CEILING MOUNT).
  - PARTS ARE SYMMETRICAL ABOVE CENTER LINES UNLESS OTHERWISE NOTED.



UNLESS OTHERWISE SPECIFIED  
DIMENSIONS ARE IN MM [IN]  
TOLERANCES ARE:  
DECIMALS ANGLES  
.X ± .5 [.02] ± 1°  
.XX ± .25 [.01]

MATERIAL -  
FINISH -  
DO NOT SCALE DRAWING  
PROJECTION SYMBOL

CAD GENERATED DRAWING  
DO NOT MANUALLY UPDATE

APPROVALS  
DRAWN BY  
ENG. SERVICES  
MECH ENGINEER  
J. KRAUSS  
TECH DIRECTOR  
L. MERCS  
MFG ENGINEER  
M. JEN

**QSC** QSC, LLC  
1675 MACARTHUR BOULEVARD  
COSTA MESA, CA 92626 USA

**FINISHED GOOD, YOKE  
MOUNT, YM-500**

SIZE	CAGE CODE	DWG. NO.	REV
B	00PW4	FG-001423-2D	B
SCALE: 1:6 CAD FILE: FG-001423-2D.			SHEET: 1 OF 1