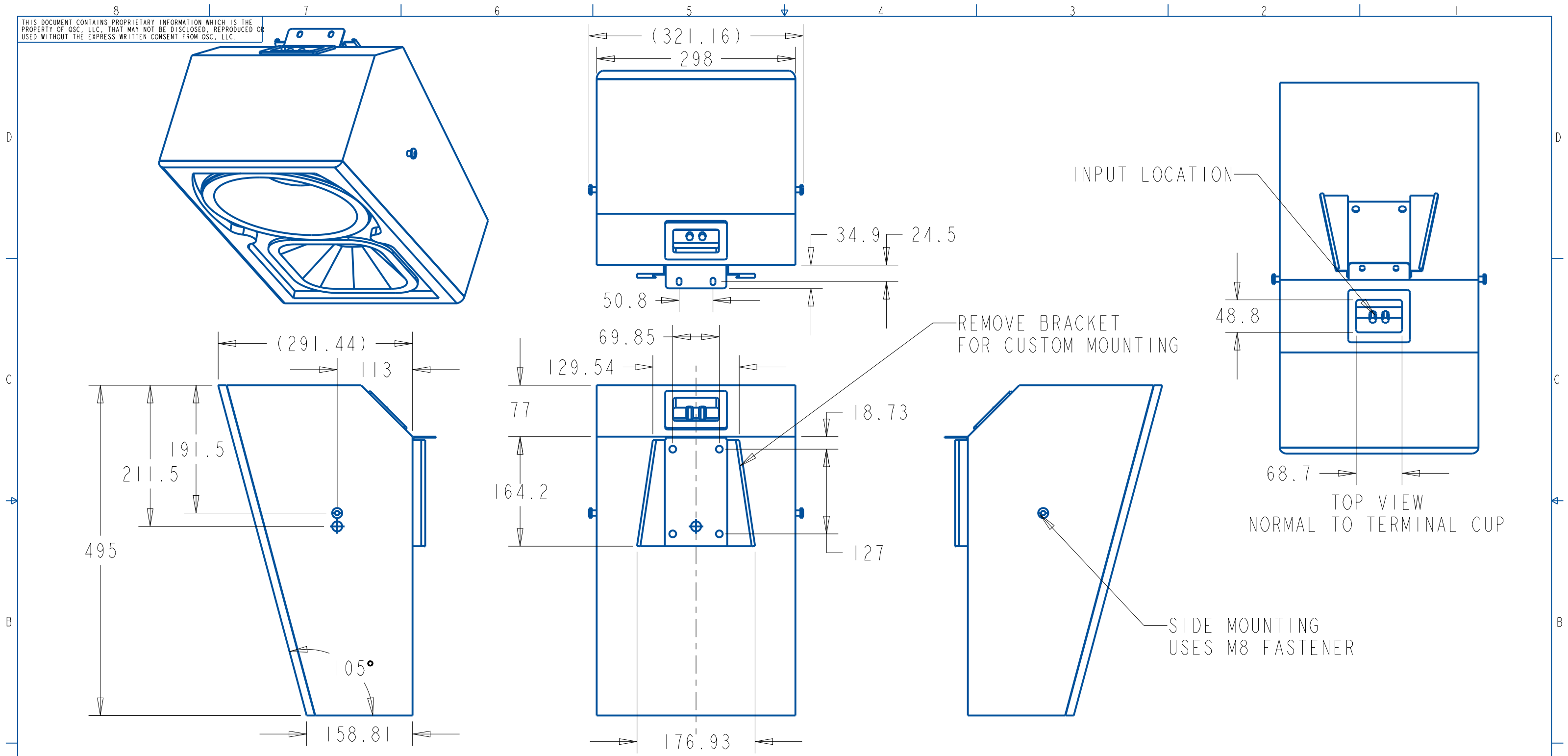


THIS DOCUMENT CONTAINS PROPRIETARY INFORMATION WHICH IS THE PROPERTY OF QSC, LLC. THAT MAY NOT BE DISCLOSED, REPRODUCED OR USED WITHOUT THE EXPRESS WRITTEN CONSENT FROM QSC, LLC.



6. THE TEXTILE OF GRILLE NOT SHOWN FOR CALRITY.
 5. PARTS ARE SYMMETRICAL ABOUT THE CENTER LINES UNLESS NOTED;
 4. SYMBOL ⊕ INDICATES CENTER OF GRAVITY;
 3. SYMBOL ⊙ INDICATES SUSPENSION POINT OF M8 THREAD, 2PLACES;
 2. TOLERANCE IS MILLIMETER: X.X±0.5, ANGLES ±1°;
 1. NET WEIGH APPROX 18KG;
- NOTE: UNLESS OTHERWISE SPECIFIED

UNLESS OTHERWISE SPECIFIED DIMENSIONS ARE IN MM [IN] TOLERANCES ARE: DECIMALS .X ± X [.XXX] .XX ± XX [.XXX]	HEAD GENERATED DRAWING DO NOT MANUALLY UPDATE	QSC, LLC 1675 MACARTHUR BOULEVARD COSTA MESA, CA 92626 USA
	APPROVALS DRAWN BY HHE	
MATERIAL SEE NOTES	MECH ENGINEER HHE	SPEAKER, FINISHED, SR-1000
FINISH SEE NOTES	TECH DIRECTOR Name	
DO NOT SCALE DRAWING	MFG ENGINEER Name	SIZE/CAGE CODE B 00PW4
PROJECTION SYMBOL ⊕		DWG. NO. FG-901321-2D
		REV
		SCALED: 1.80 CAD FILE: FG-901321-2D SHEET: 1 OF 1