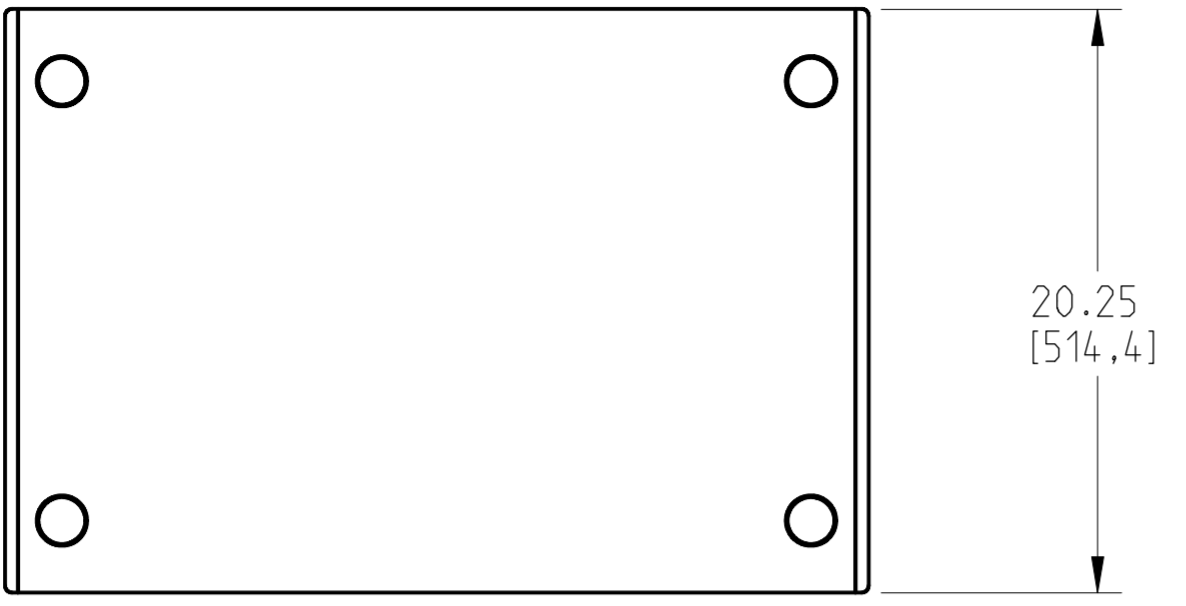
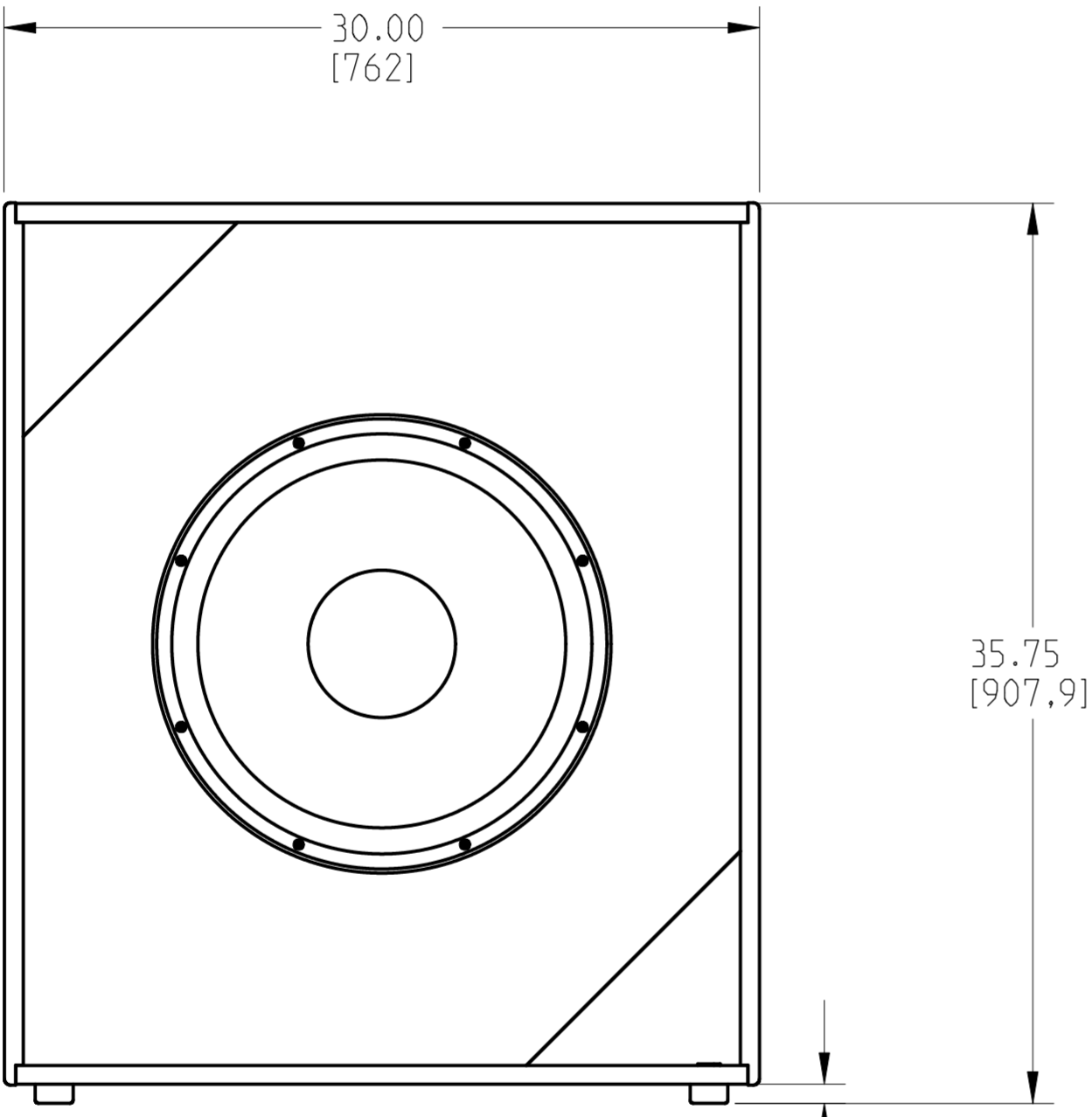


THIS DOCUMENT CONTAINS PROPRIETARY INFORMATION WHICH IS THE PROPERTY OF QSC AUDIO PRODUCTS. THAT MAY NOT BE DISCLOSED, REPRODUCED OR USED WITHOUT EXPRESS WRITTEN CONSENT FROM QSC AUDIO PRODUCTS.

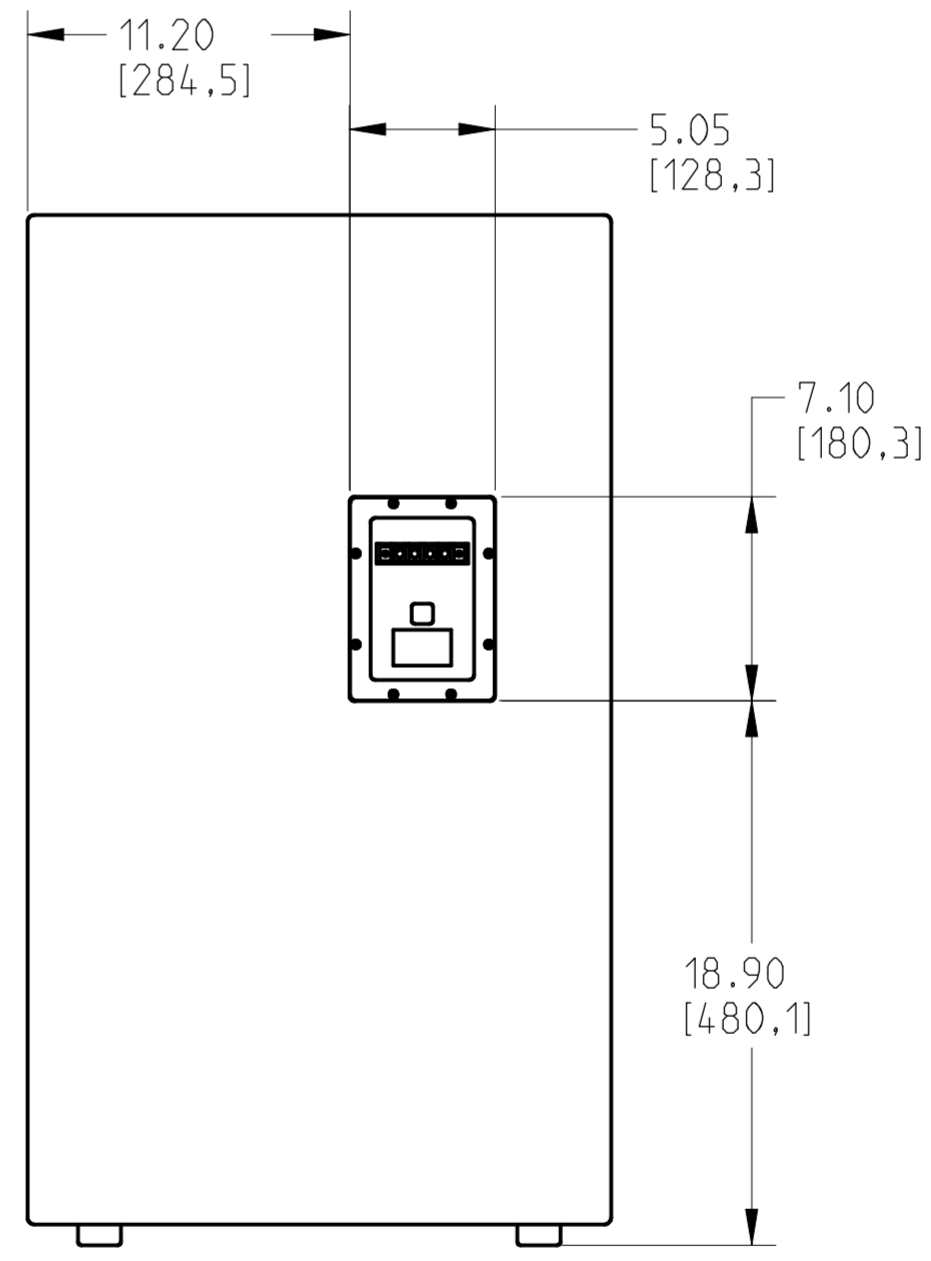
REVISIONS				
REV	DESCRIPTION	EFF DATE	CHK	APVD
A	PRODUCTION RELEASE W/O CHANGE PER ECO 8939 JD	1-08-09	BF	DD



TOP



FRONT



RIGHT

2. TOLERANCES (INCHES): .XX ± .13, ANGLES: 1°.
 1. NET WEIGHT APPROX.: SB-5118- 160 LBS (72 KG).
 SB-7118- 162 LBS (73 KG).
 NOTE: UNLESS OTHERWISE SPECIFIED

UNLESS OTHERWISE SPECIFIED DIMENSIONS ARE IN INCHES. TOLERANCES ARE: DECIMALS DECIMALS ANGLES .XX ± .02 .XXX ± .010 ±1/2 DEBURR EDGES .010 R MAX	CONTRACT NO.		QSC QSC AUDIO PRODUCTS, LLC 1675 MACARTHUR BOULEVARD COSTA MESA, CA 92626	
	APPROVALS			
	DRAWN J. DELARM		18-Dec-08	
	CHECKED M. HARRIS		12-23-08	
MATERIAL NONE		N/A		SPEAKER, FINISHED, SB-5118, SB-7118
FINISH NONE		ISSUED D. DELARM		
DO NOT SCALE DRAWING		WP-511800-00.A.0		SIZE C CAGE CODE 00PW4 DWG NO. RD-000506-01 REV A
		SCALE 0.150		RD-000506-01.A.0 SHEET 1 of 1