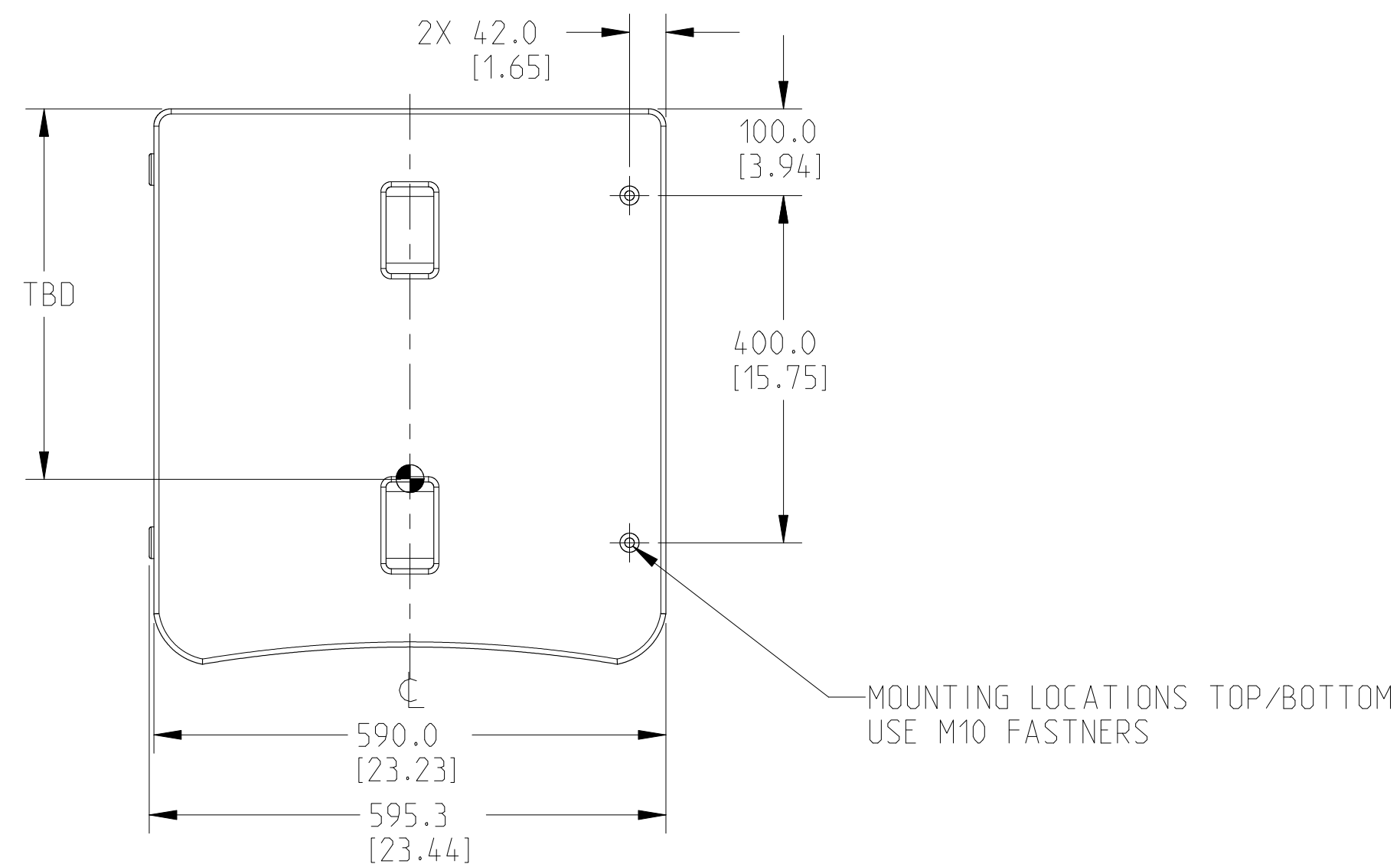
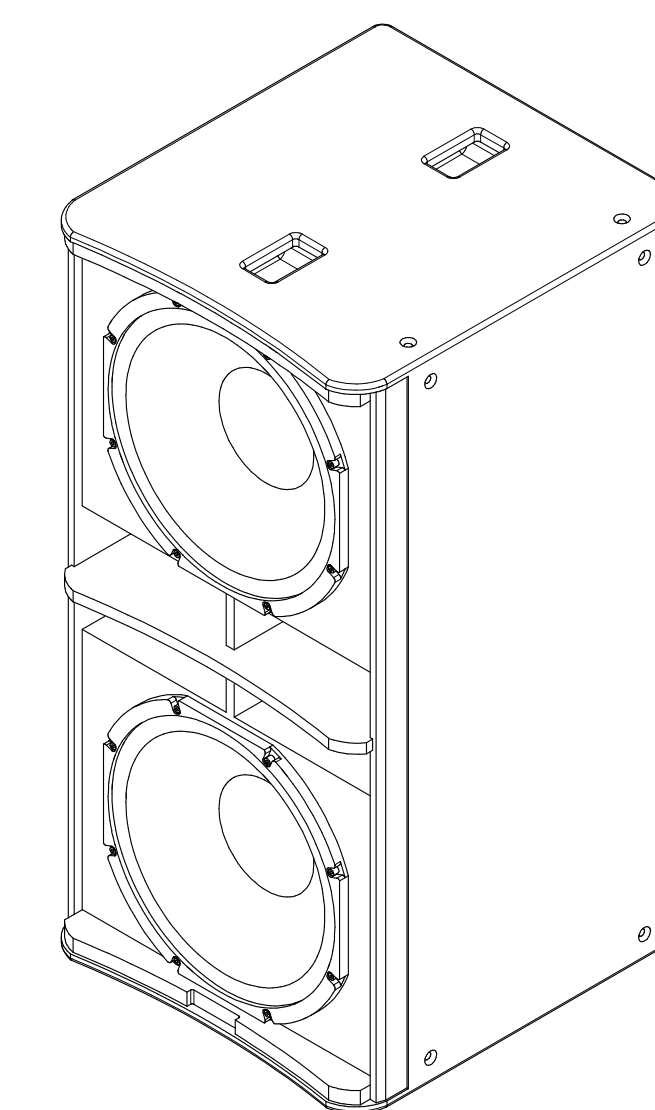


THIS DOCUMENT CONTAINS PROPRIETARY INFORMATION WHICH IS THE PROPERTY OF QSC, LLC. THAT MAY NOT BE DISCLOSED, REPRODUCED OR USED WITHOUT EXPRESS WRITTEN CONSENT FROM QSC, LLC.

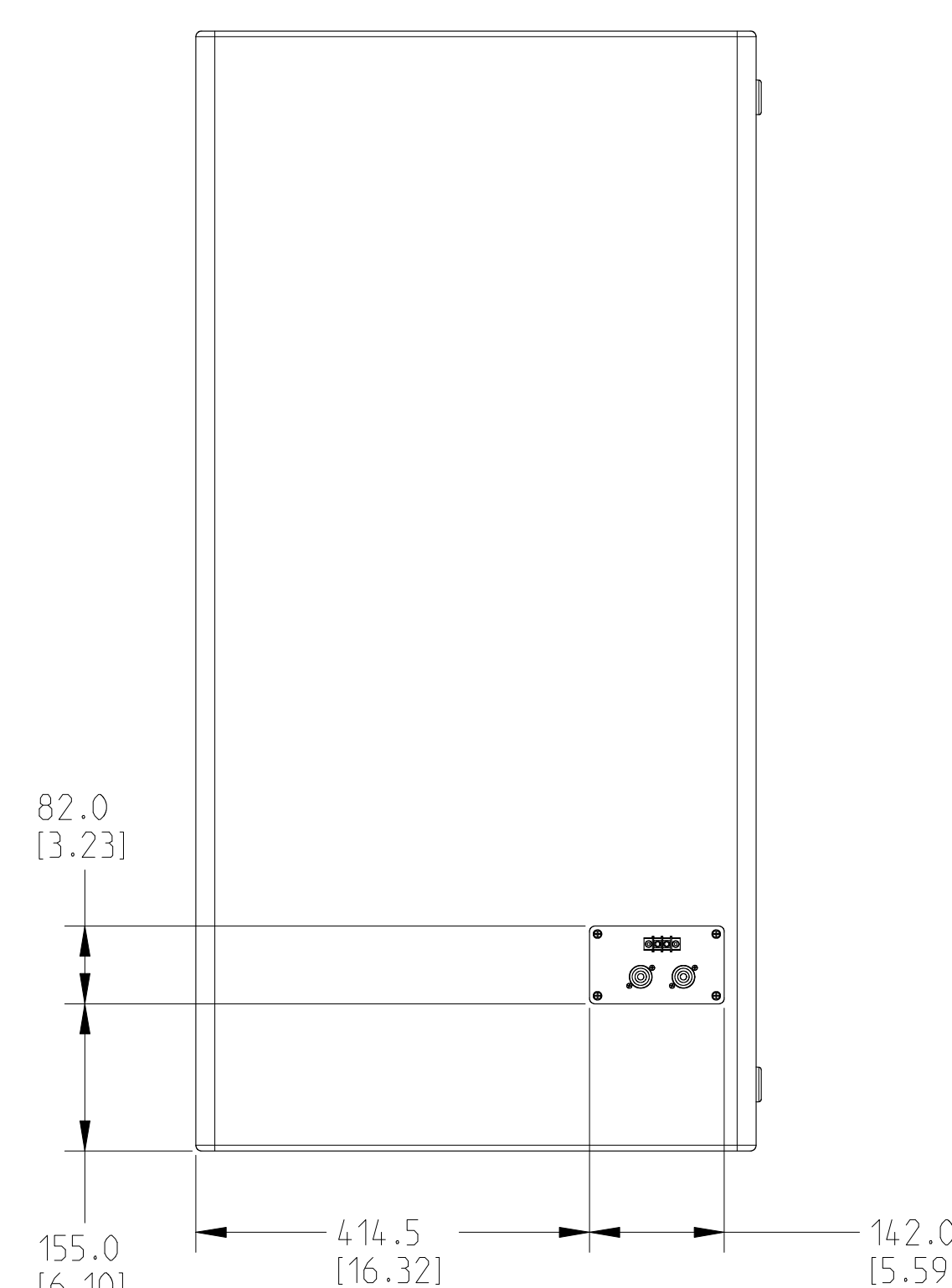
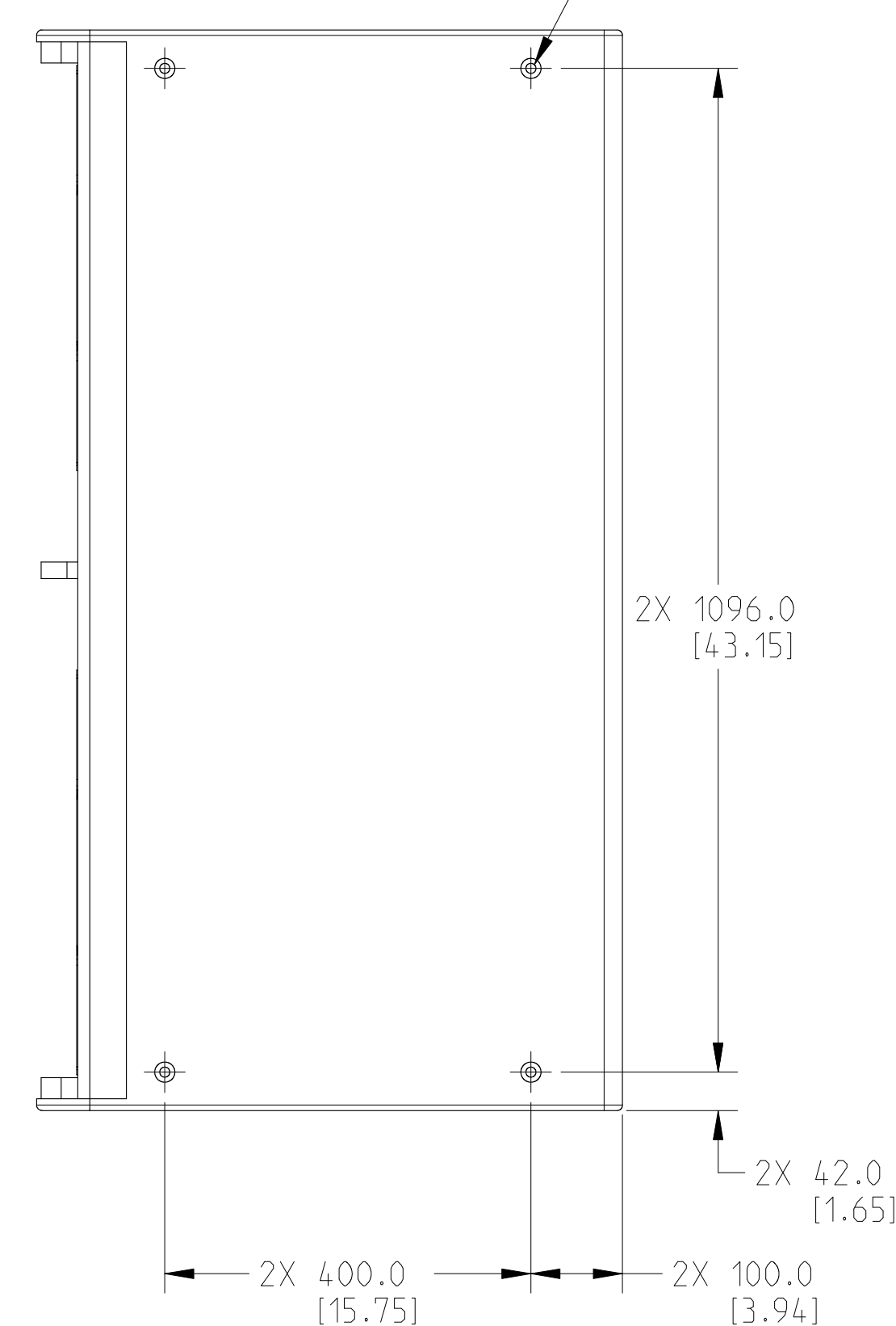
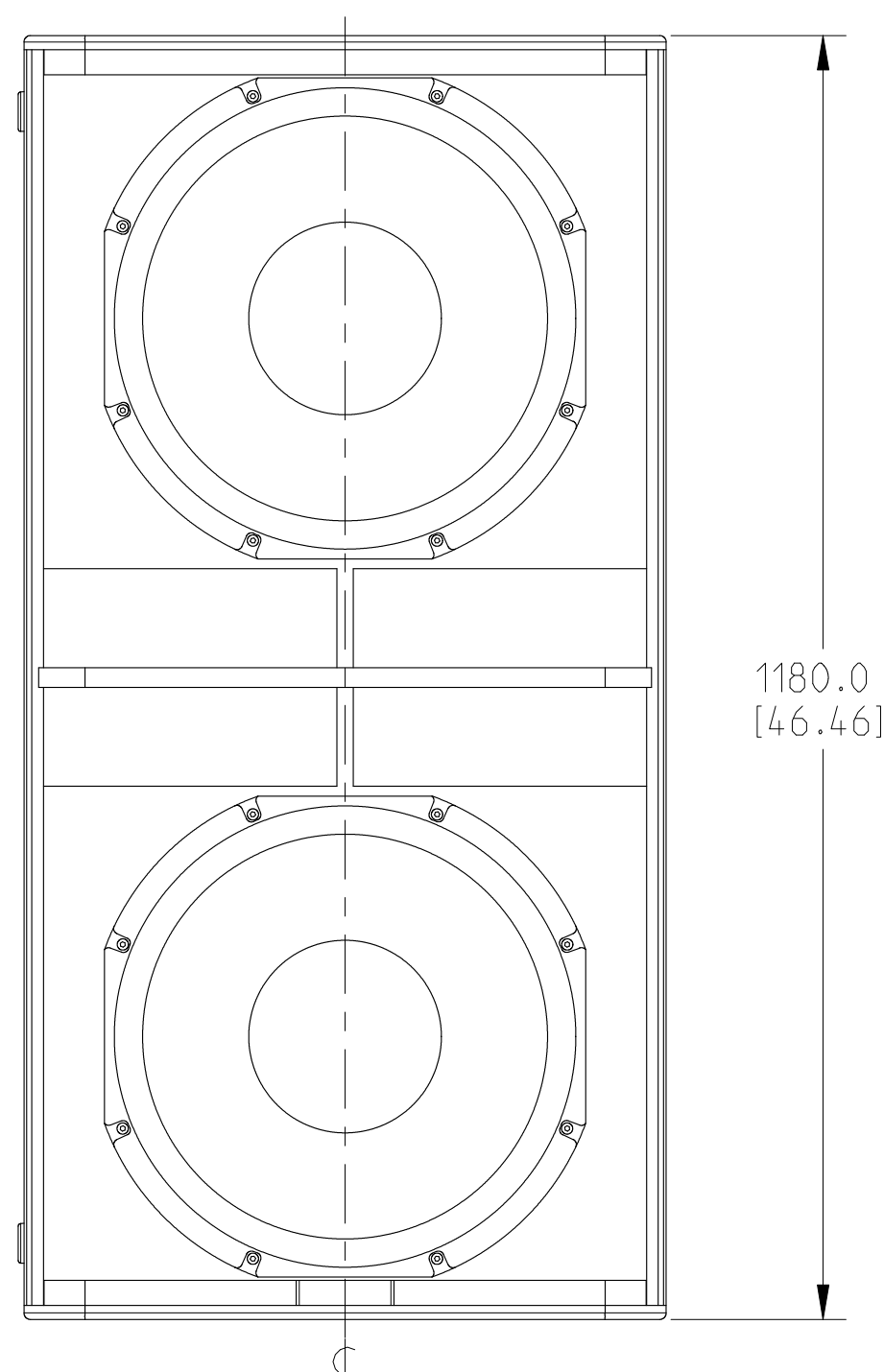
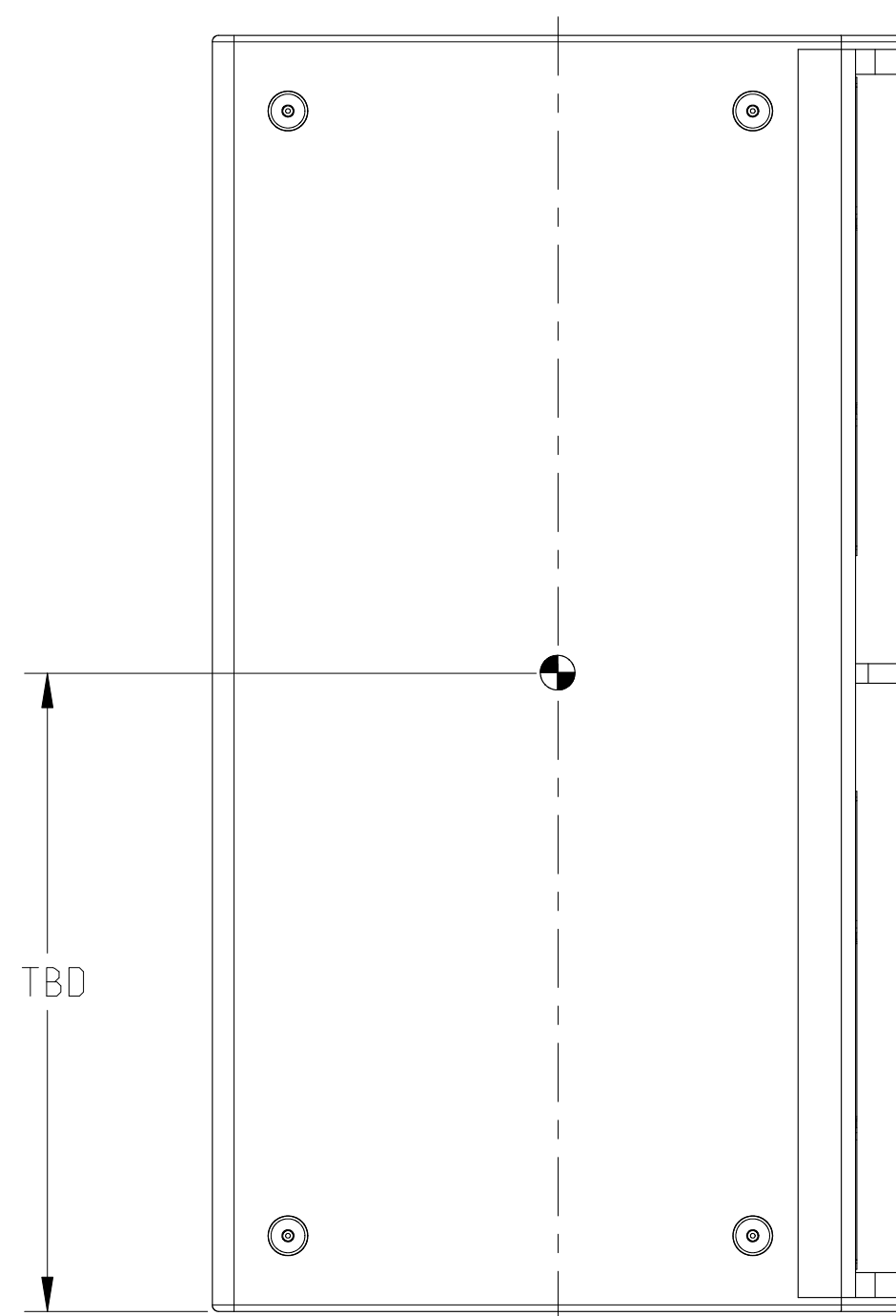
REVISIONS			
REV	DESCRIPTION	BY	DATE
A	RELEASE FOR SALES AND MARKETING	ES	02-JAN-18



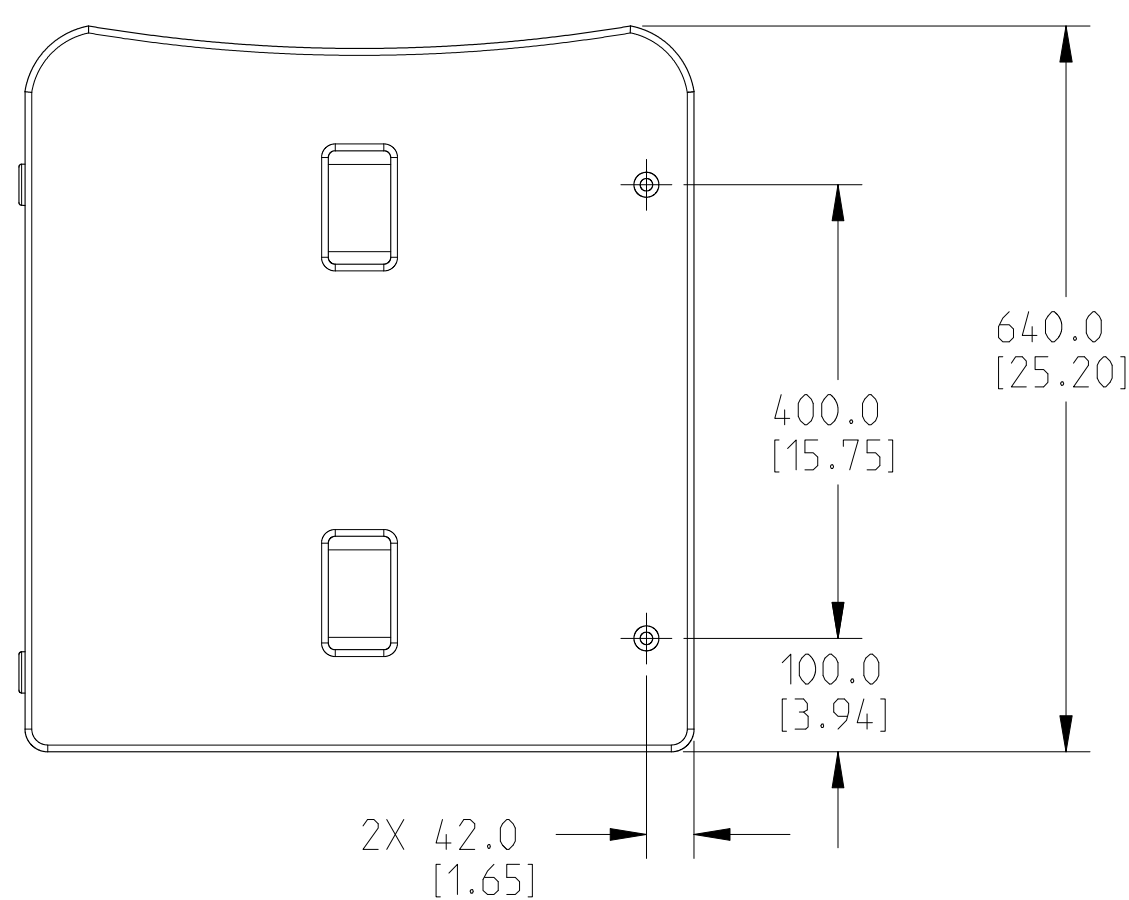
MOUNTING LOCATIONS USE M10 FASTNERS



SCALE 0.100



REAR VIEW



5. PARTS ARE SYMMETRICAL ABOUT CENTER LINES UNLESS OTHERWISE NOTED.
4. SYMBOL ● INDICATES CENTER OF BALANCE.
3. SYMBOL ◎ INDICATES SUSPENSION POINT, 8 TOTAL: M10-1.5 THD.
4. GRILLE NOT SHOWN FOR CLARITY.
3. DIMENSIONS ARE IN MILLIMETERS [INCH].
2. TOLERANCES (MM): X ± 3, ANGLES: ± 1°.
1. NET WEIGHT APPROX. 76.2 KG (168 LBS)

NOTE: UNLESS OTHERWISE SPECIFIED

UNLESS OTHERWISE SPECIFIED DIMENSIONS IN MILLIMETERS (IN) TOLERANCES ARE: DECIMALS DECIMALS ANGLES .X±.5(.02) .XX±.25(.010) ± 1/2 DEBURR EDGES .25 (1.010) R MAX	DESIGNER	QSC, LLC		
	ENGINEER	1675 MACARTHUR BOULEVARD COSTA MESA, CA 92626		
	TECHNICAL DIRECTOR	LOUDSPEAKER, DCS-SB-218F, 2X18 CIN SUB		
	MANUFACTURING ENGINEER	SIZE	CAGE CODE	DRAWING NO.
FINISH	DRAWING INFO: FG-901257-2D.A.4	D	00PW4	FG-901257-2D
	MODEL INFO: FG-901257-3D.A.4	SCALE: 0.150	DO NOT SCALE DRAWING	SHEET 1 OF 1