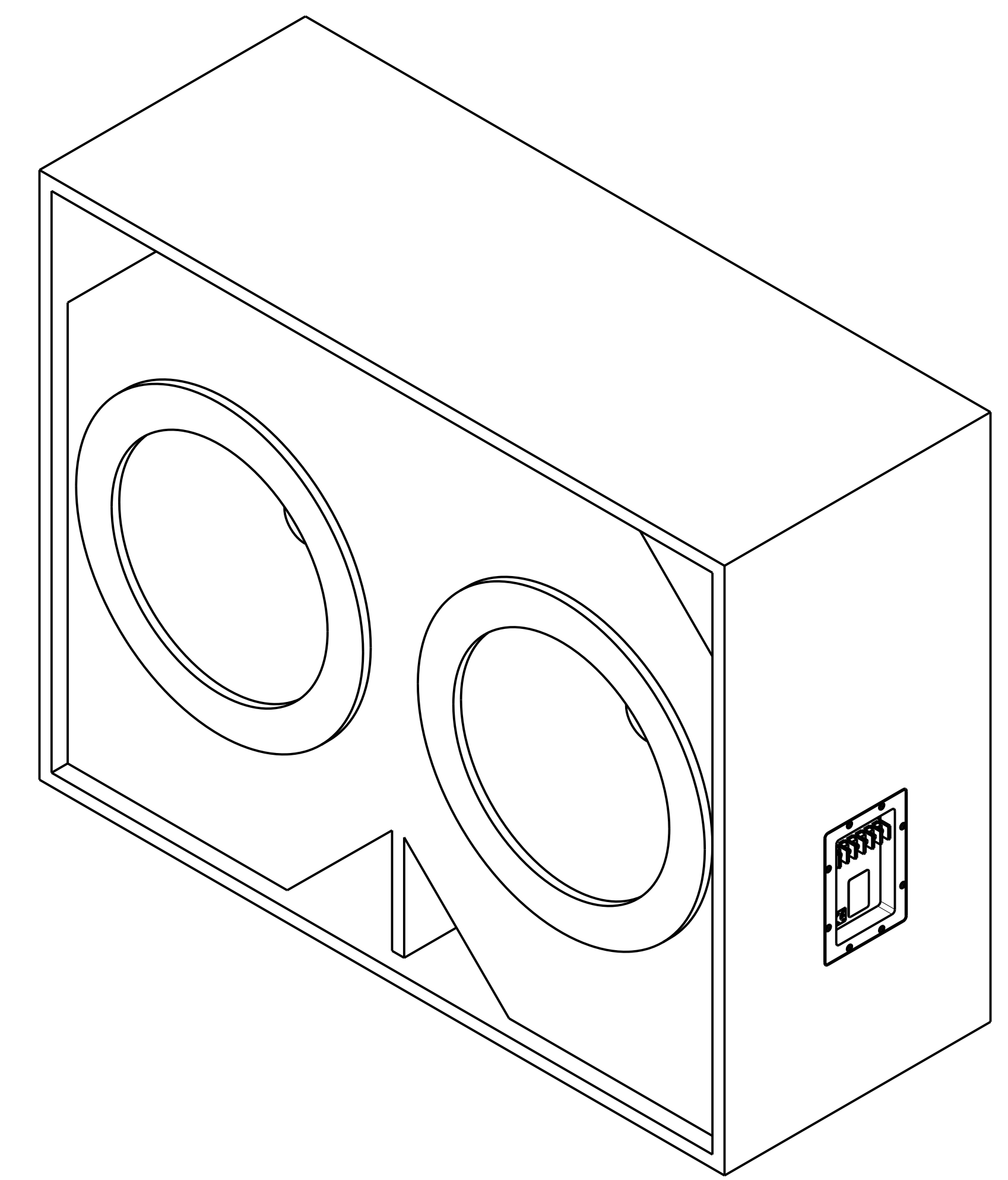
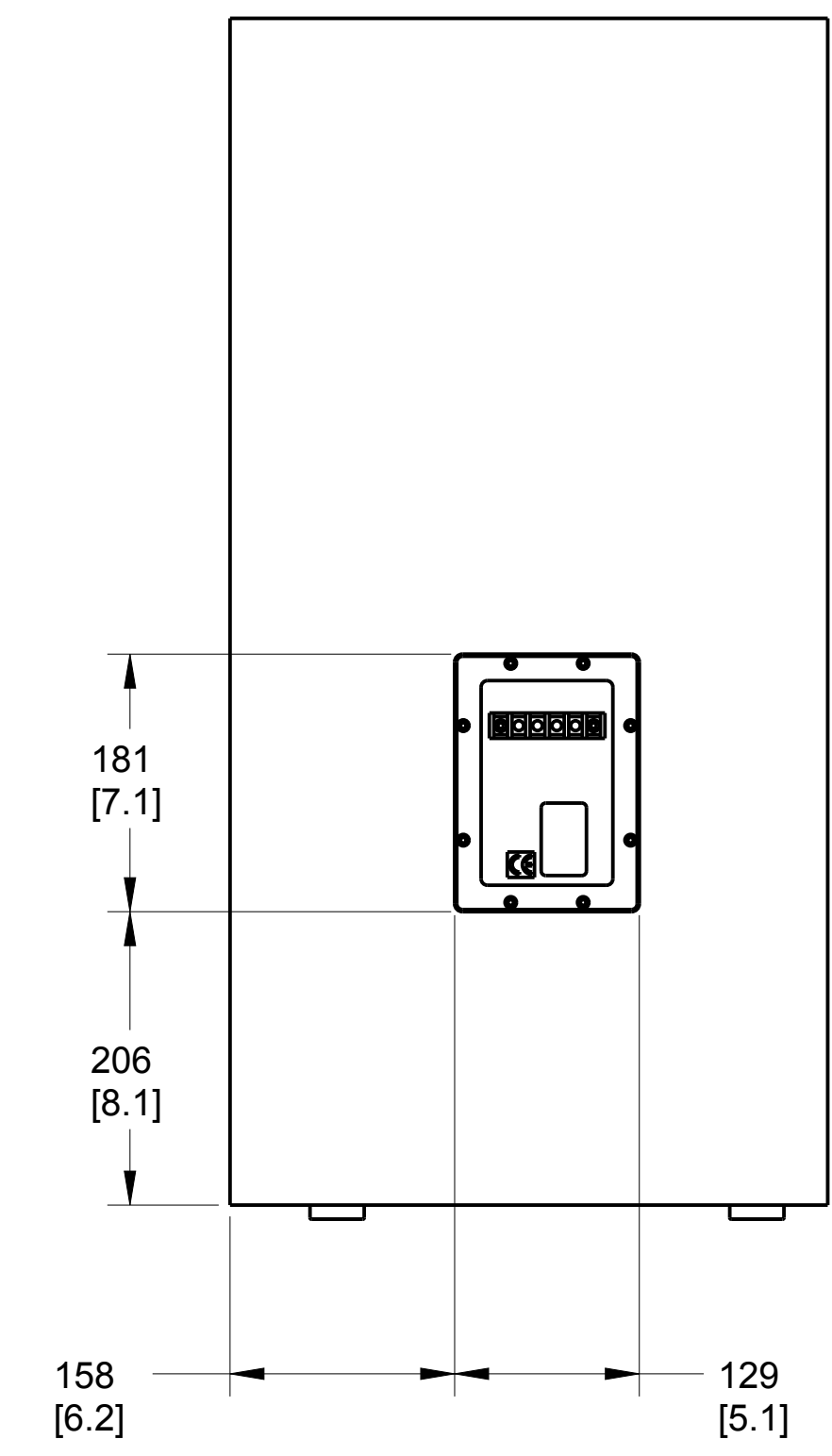
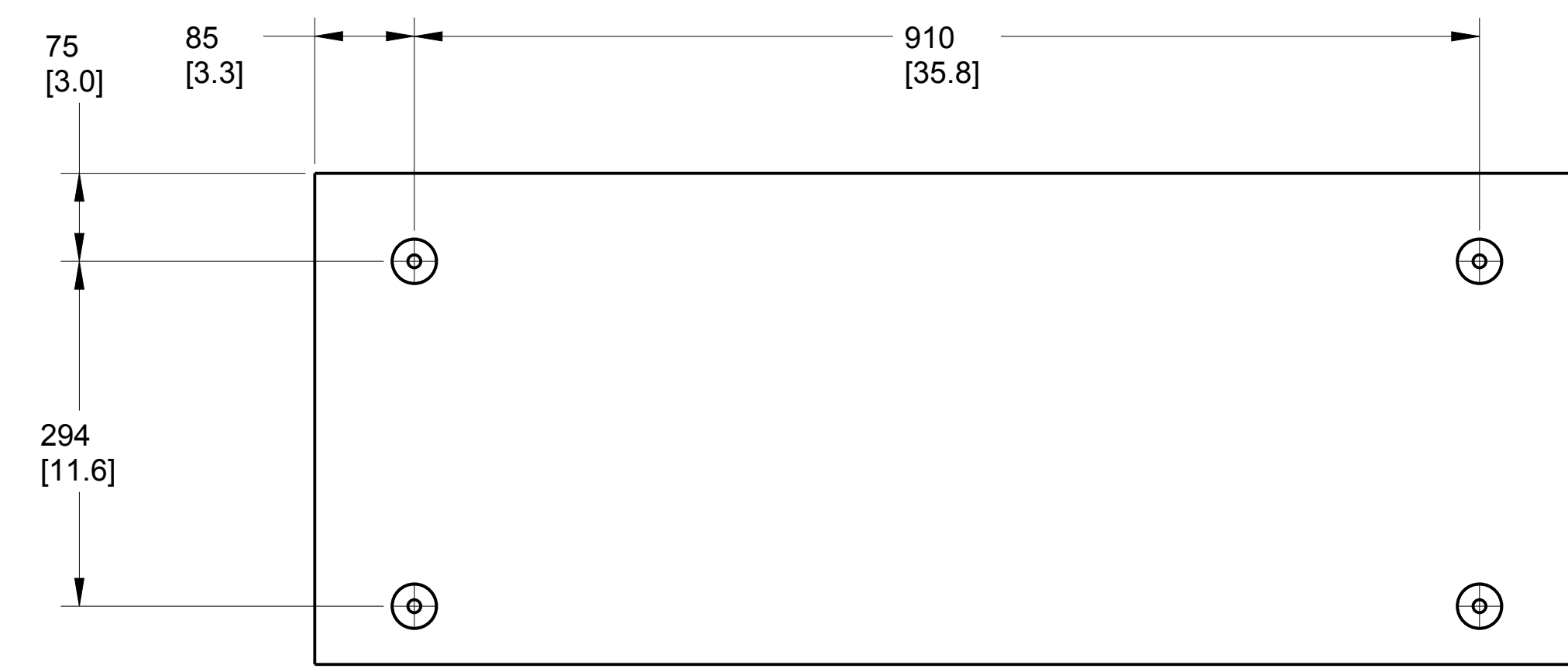
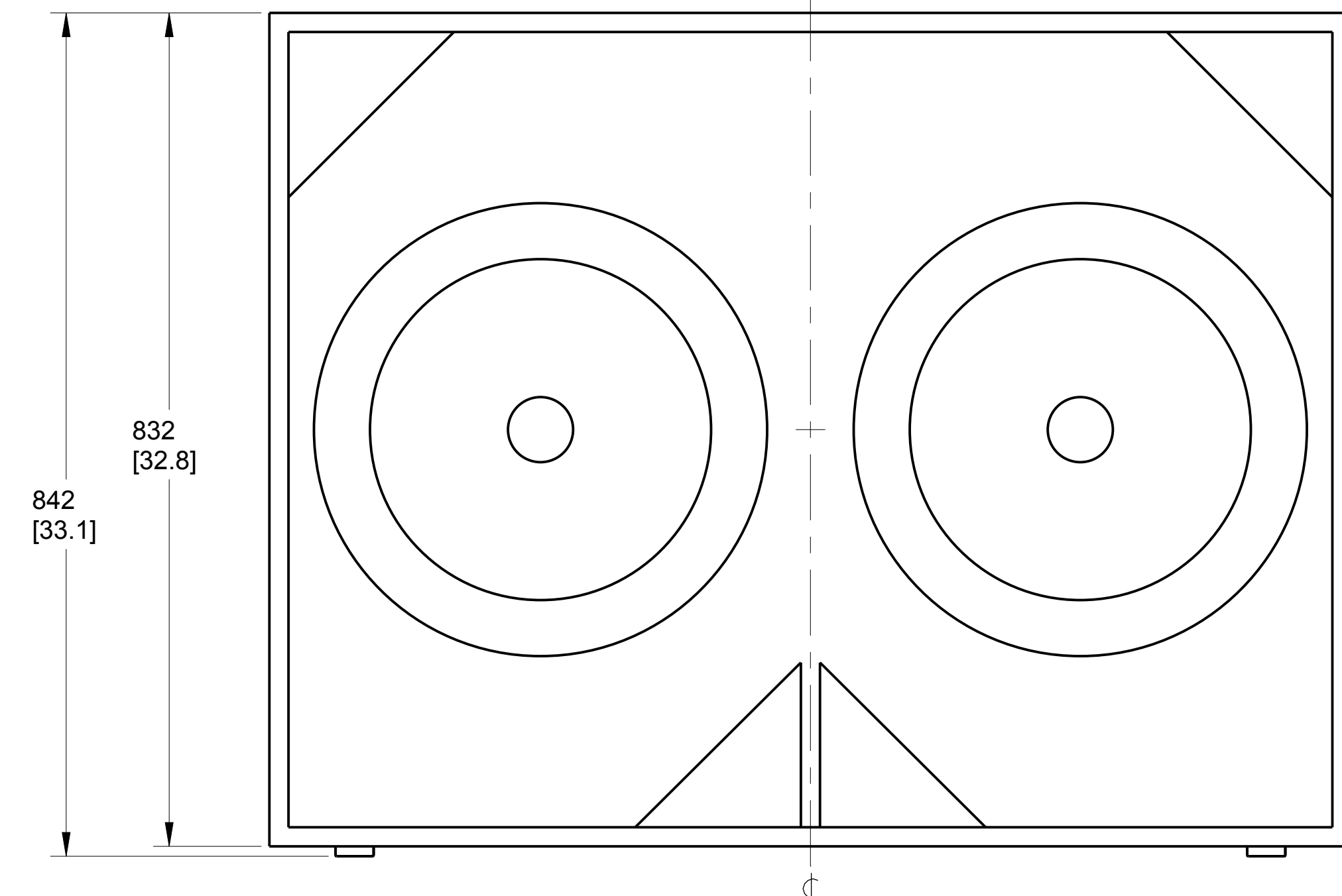
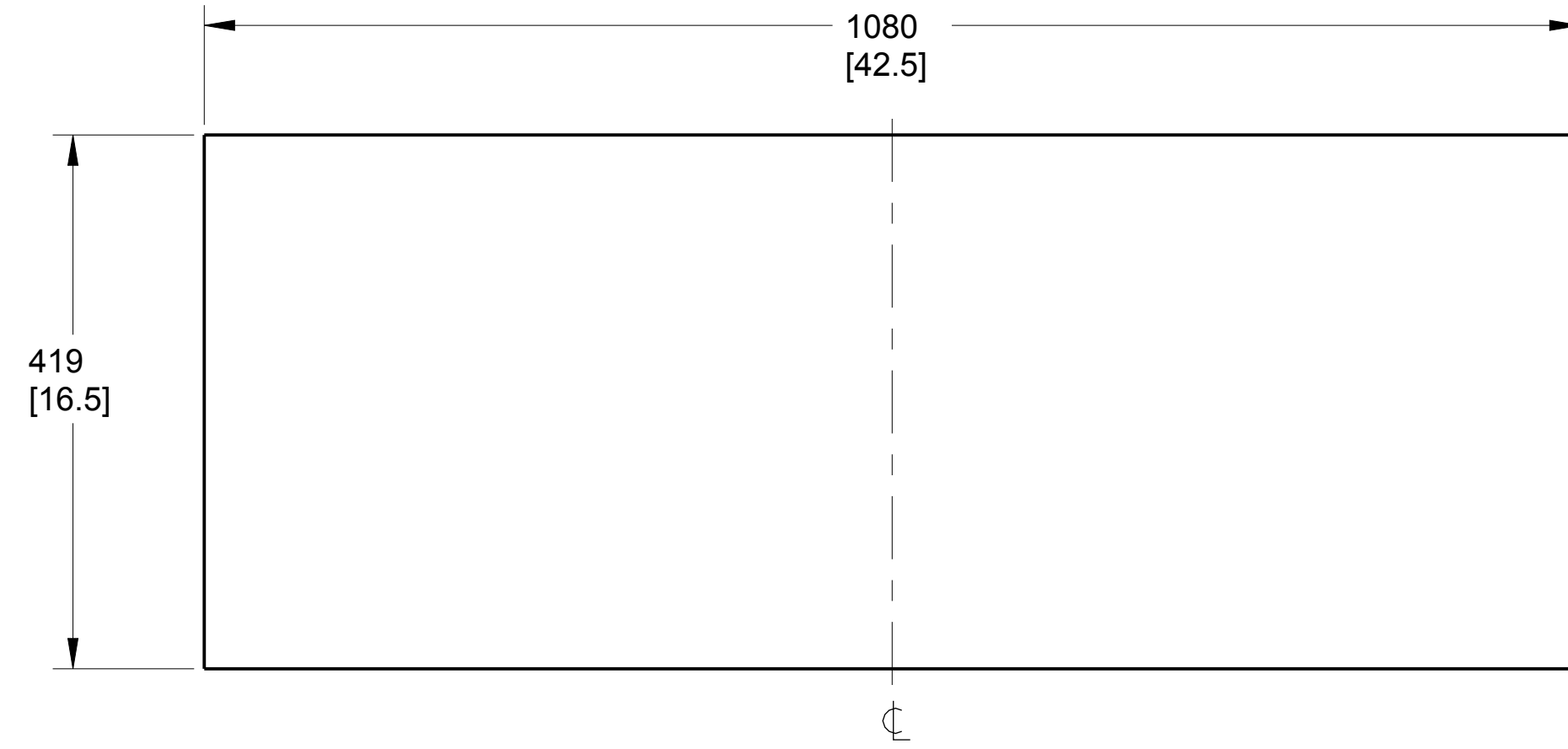


THIS DOCUMENT CONTAINS PROPRIETARY INFORMATION WHICH IS THE PROPERTY OF QSC, LLC. THAT MAY NOT BE DISCLOSED, REPRODUCED OR USED WITHOUT EXPRESS WRITTEN CONSENT FROM QSC, LLC.

REVISIONS			
REV	DESCRIPTION	BY	DATE
A	RELEASE FOR SALES AND MARKETING	ES	28-OCT-15



- 3. PARTS ARE SYMMETRICAL ABOUT CENTER LINES UNLESS OTHERWISE NOTED.
- 2. TOLERANCES (MM): $X \pm 5$, ANGLES: $\pm 1^\circ$.
- 1. NET WEIGHT APPROX 84.82 KG (187 LBS).

NOTE: UNLESS OTHERWISE SPECIFIED

UNLESS OTHERWISE SPECIFIED DIMENSIONS IN MILLIMETERS (IN) TOLERANCES ARE: DECIMALS DECIMALS ANGLES $X \pm .5(0.2)$ $XX \pm .25(0.01)$ $\pm 1/2$ DEBURR EDGES .25 (0.01) R MAX	DESIGNER	QSC, LLC 1675 MACARTHUR BOULEVARD COSTA MESA, CA 92626	SPEAKER, FINISHED, SB-2180	SIZE	CAGE CODE	DRAWING NO.	REV
	ENGINEER			D	00PW4	FG-002185-2D	A
	TECHNICAL DIRECTOR			SCALE	DO NOT SCALE DRAWING	SHEET	1 OF 1
	MANUFACTURING ENGINEER			DRAWING INFO: FG-002185-2D.A.0		MODEL INFO: FG-002185-3DA.0	