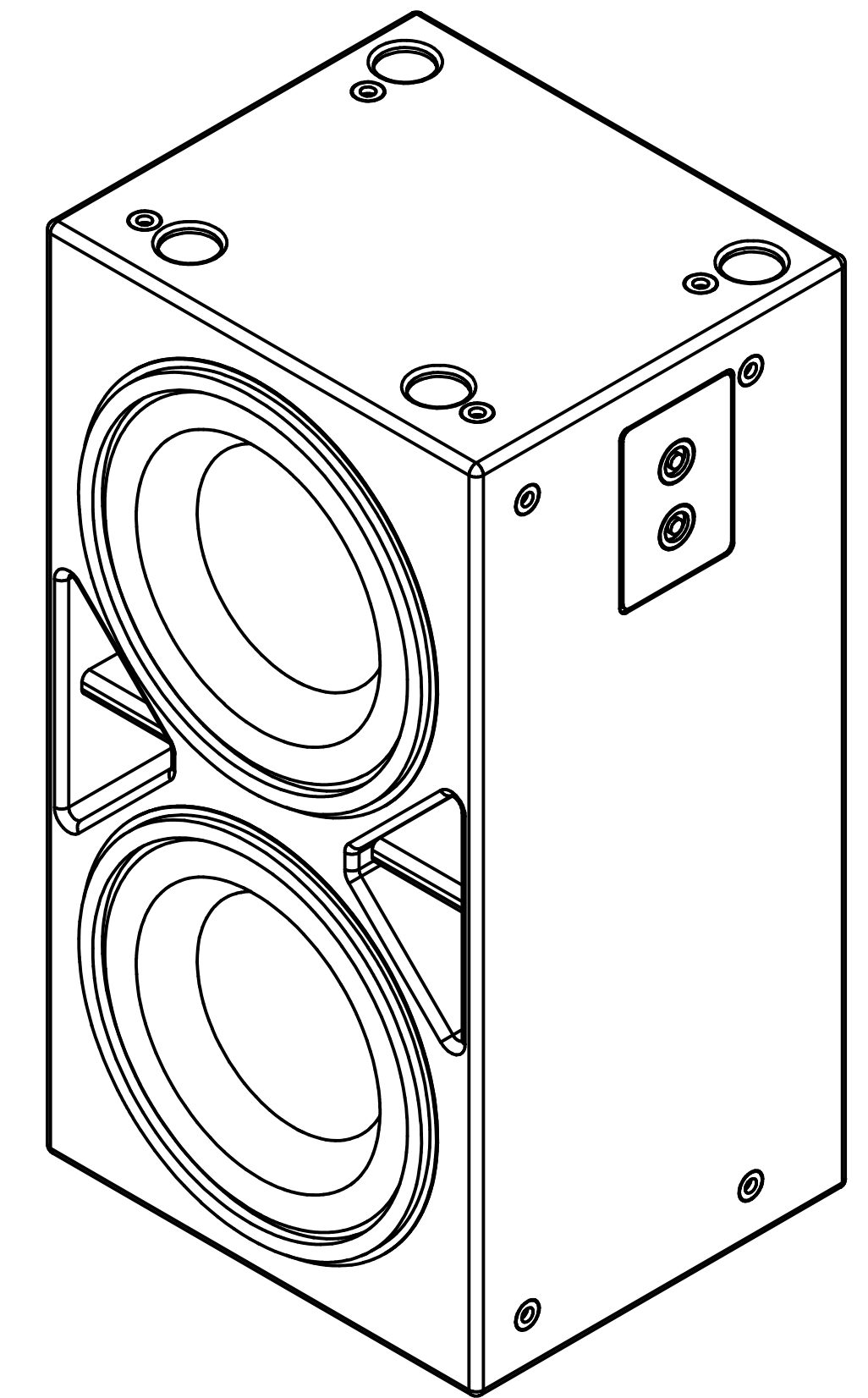
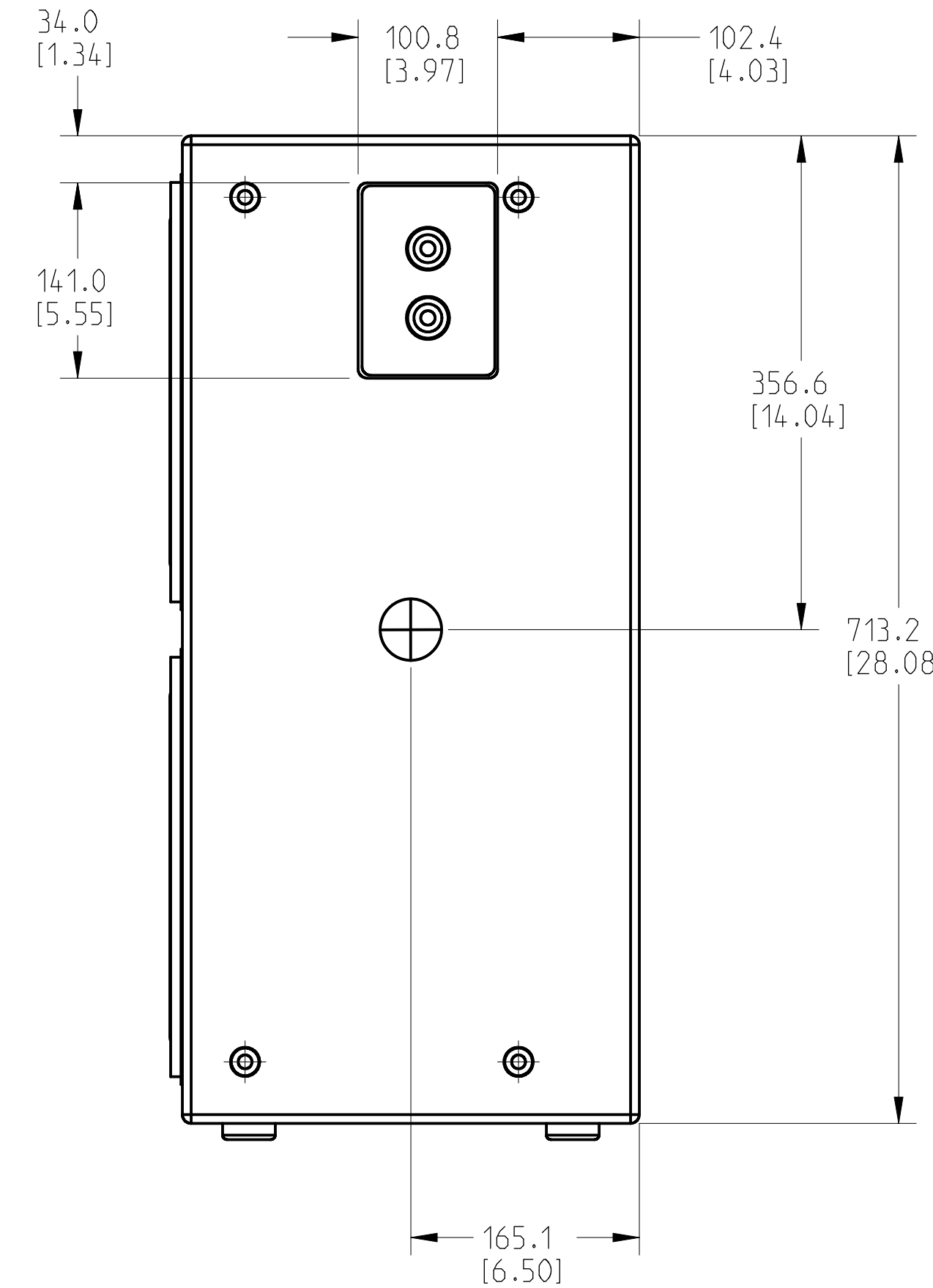
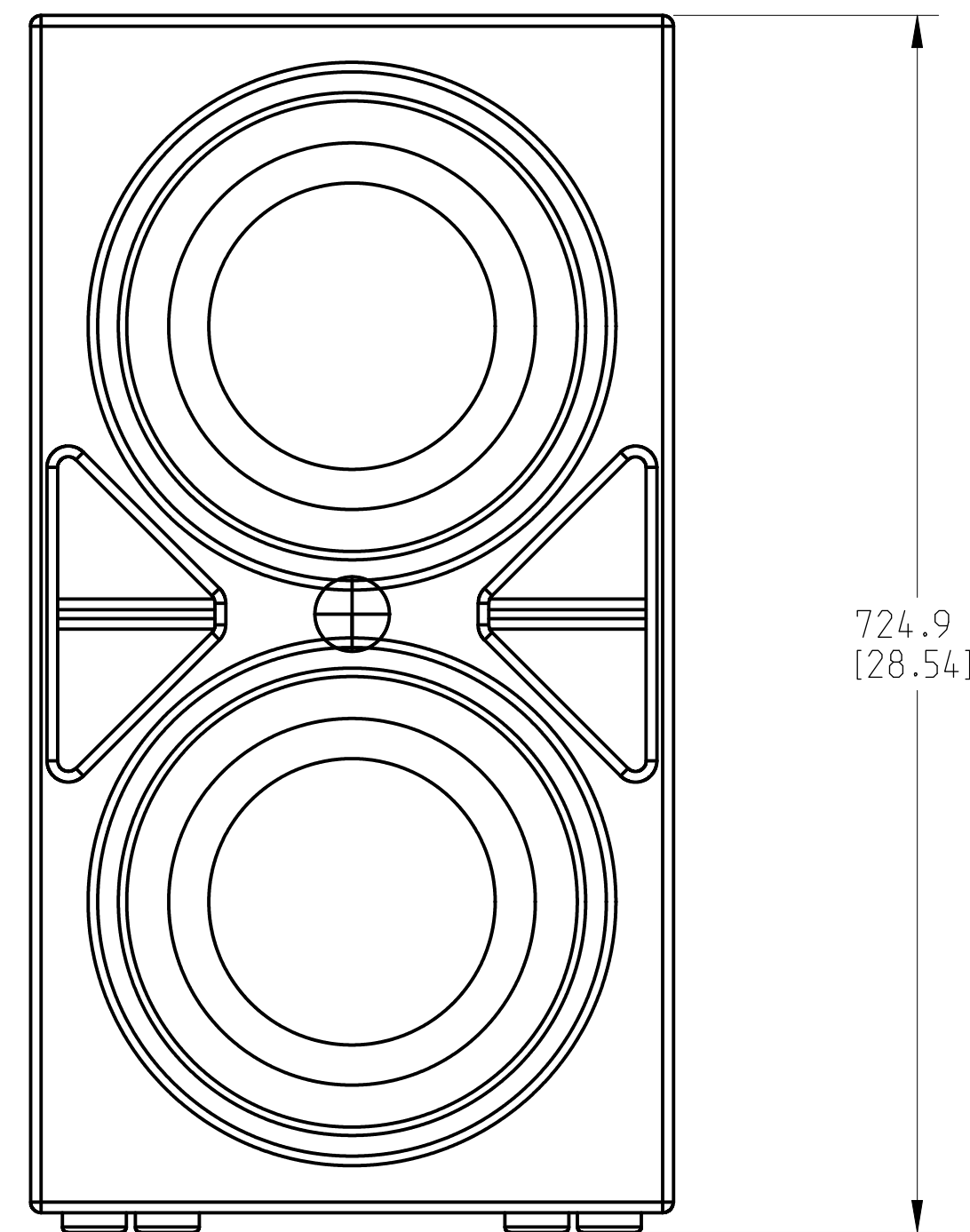
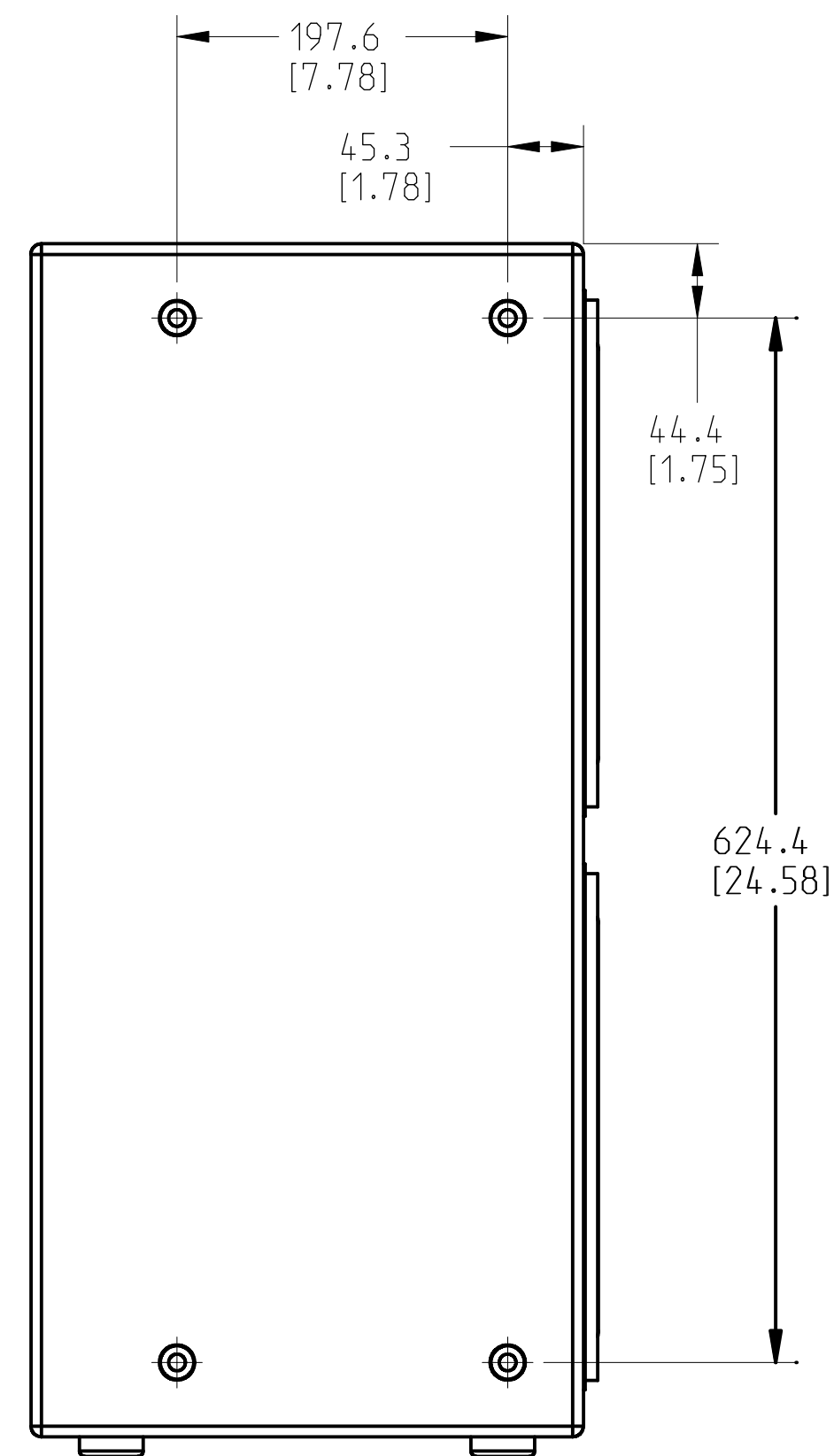
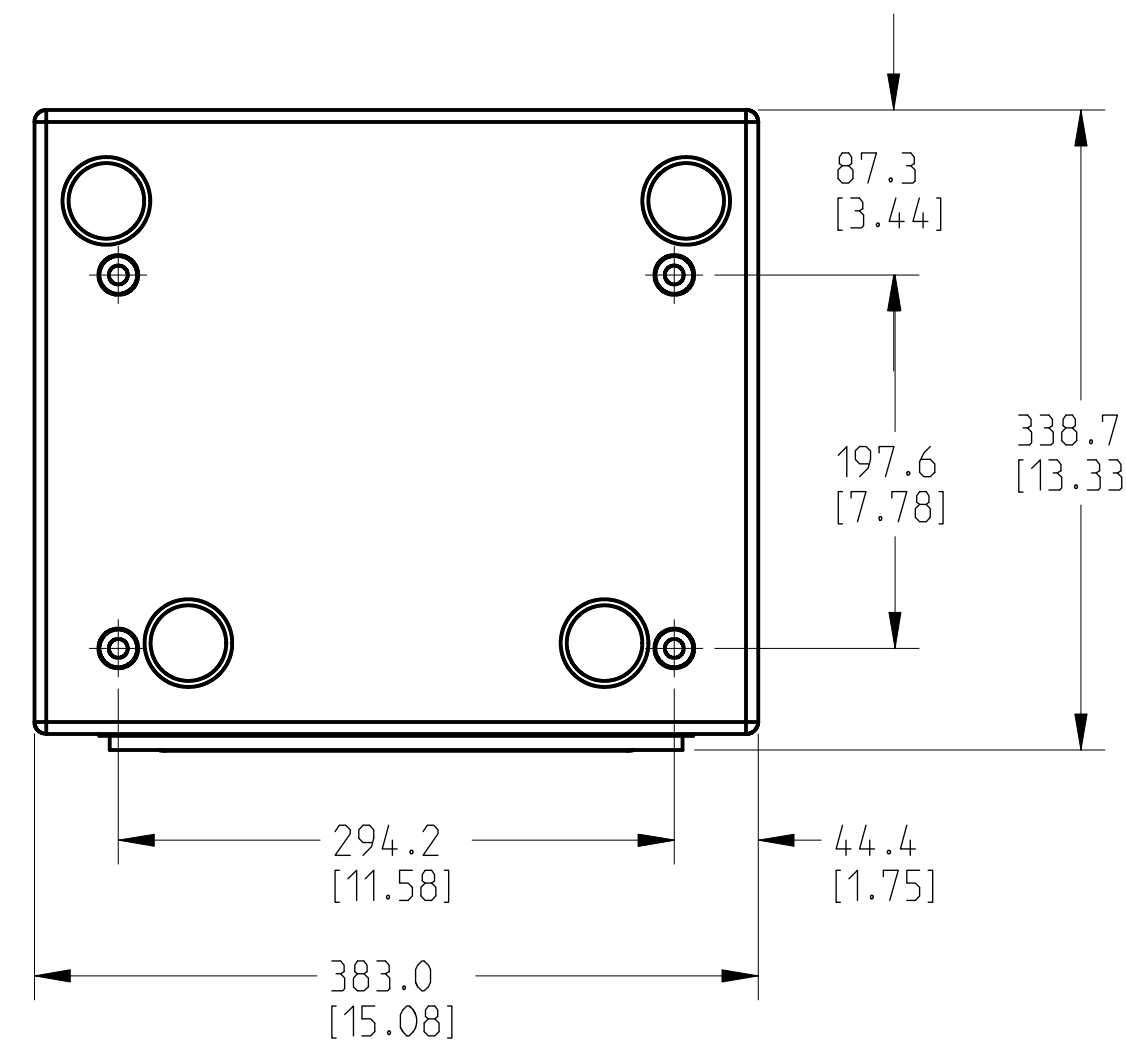


THIS DOCUMENT CONTAINS PROPRIETARY INFORMATION WHICH IS THE PROPERTY OF QSC AUDIO PRODUCTS. THAT MAY NOT BE DISCLOSED, REPRODUCED OR USED WITHOUT EXPRESS WRITTEN CONSENT FROM QSC AUDIO PRODUCTS.

REVISIONS					
REV	ECO	DESCRIPTION	BY	EFF DATE	ISSUED
A	-	RELEASE		-	-



RSB212

- 5. PARTS ARE SYMMETRICAL ABOUT CENTER LINES UNLESS OTHERWISE NOTED.
  - 4. SYMBOL ⊕ INDICATES CENTER OF BALANCE.
  - 3. SYMBOL ⊙ INDICATES SUSPENSION POINT. 16 TOTAL: M10-1.5 THD.
  - 2. TOLERANCES (MM): X ± 5. ANGLES: ± 1°.
  - 1. NET WEIGHT APPROX. 40.4 / 89.0 [KG/LBS].
- NOTE: UNLESS OTHERWISE SPECIFIED

UNLESS OTHERWISE SPECIFIED DIMENSIONS IN MILLIMETERS (IN) TOLERANCES ARE: DECIMALS .X±.5(0.02)    DECIMALS .XX±.25(0.01)    ANGLES ± 1/2 DECORR EDGES .25 (1.010) R MAX	APPROVALS	DATE (DD-MMM-YY)	<p>QSC AUDIO PRODUCTS, LLC 1675 MACARTHUR BOULEVARD COSTA MESA, CA 92626</p>		
	DRAWN ENG. SERVICES				
	CHECKED M. Mayfield	09/06/13			
	MFG ENG NA	-			
MATERIAL	QA CHECK NA	-	<p>SPEAKER, FINISHED, RSB212</p>		
FINISH					
DRAWING INFO: FG-002212-2D.A.0		SCALE: D	SIZE: 00PW4	DRAWING NO.: FG-002212-2D	REV: A
MODEL INFO: FG-002212-3D.A.0		DO NOT SCALE DRAWING		SHEET: 1 OF 1	