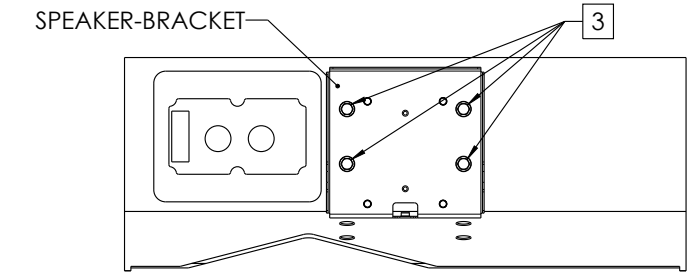
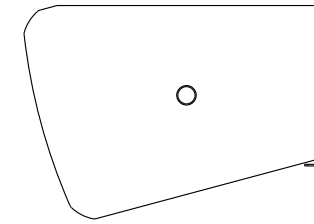
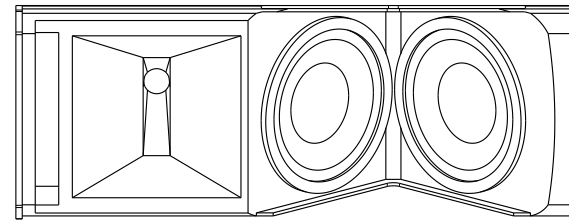
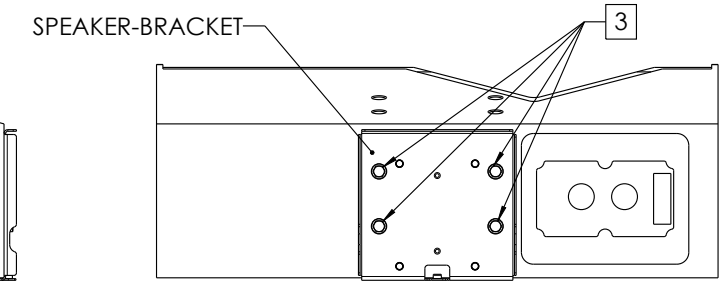
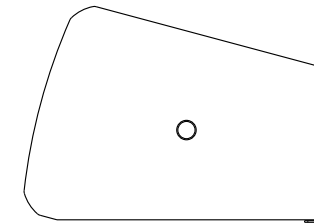
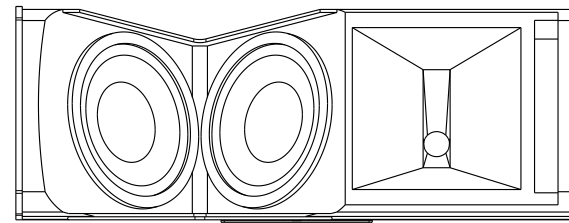


NOTES: UNLESS OTHERWISE SPECIFIED

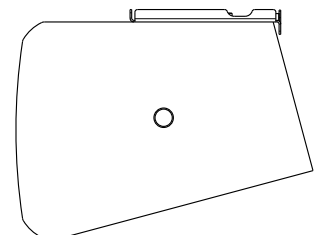
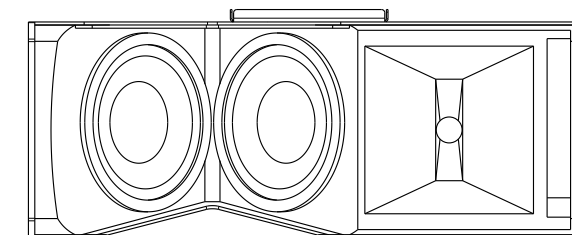
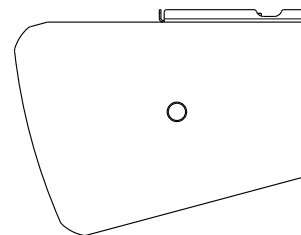
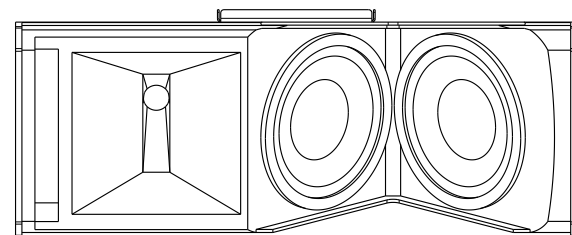
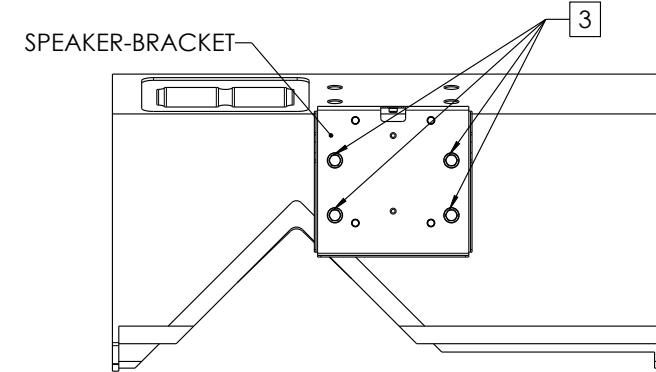
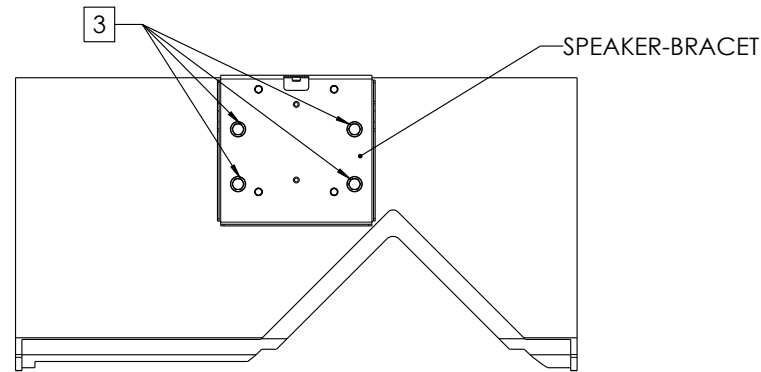
1. NET WEIGHT APPROX. 0.82 KG [1.8 LBS] (FLUSH MOUNT), 12.3 KG [27.1 LBS] (SPEAKER AND FLUSH MOUNT).
2. THE SPEAKER IS SHOWN FOR CLARITY, SPEAKER AND FLUSH MOUNT BRACKETRY ARE SOLD SEPARATLY.
3. SPEAKER-BRACKET TO SPEAKER, M6 THREAD, 4 PLACES.
4. SPEAKER-BRACKET TO SURFACE MOUNT BRACKET, M5 THREAD, 7 PLACES.
5. PARTS ARE SYMMETRICAL ABOUT CENTER LINES UNLESS OTHERWISE NOTED.



WALL MOUNT
TOP REAR ATTACHMENT

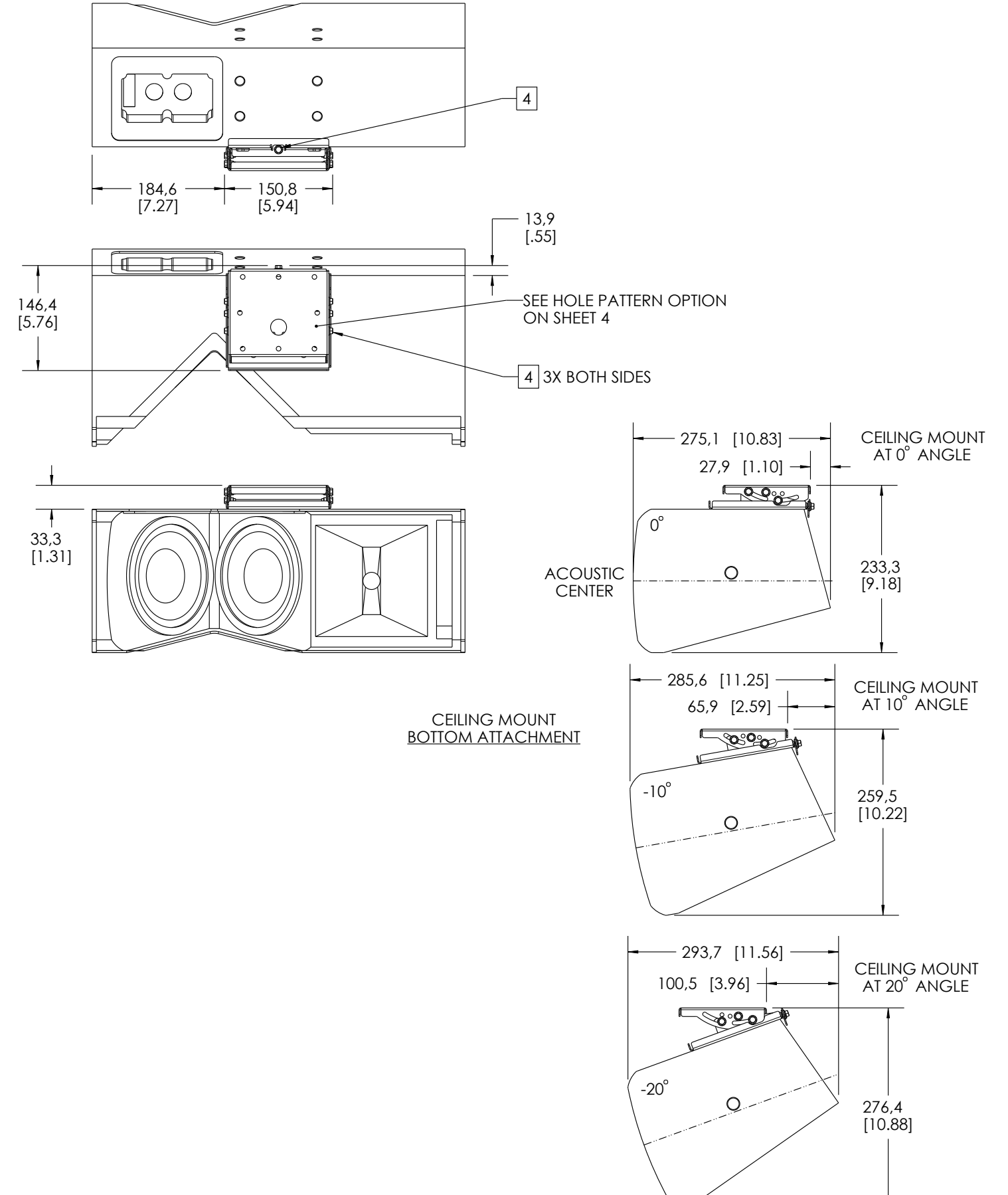
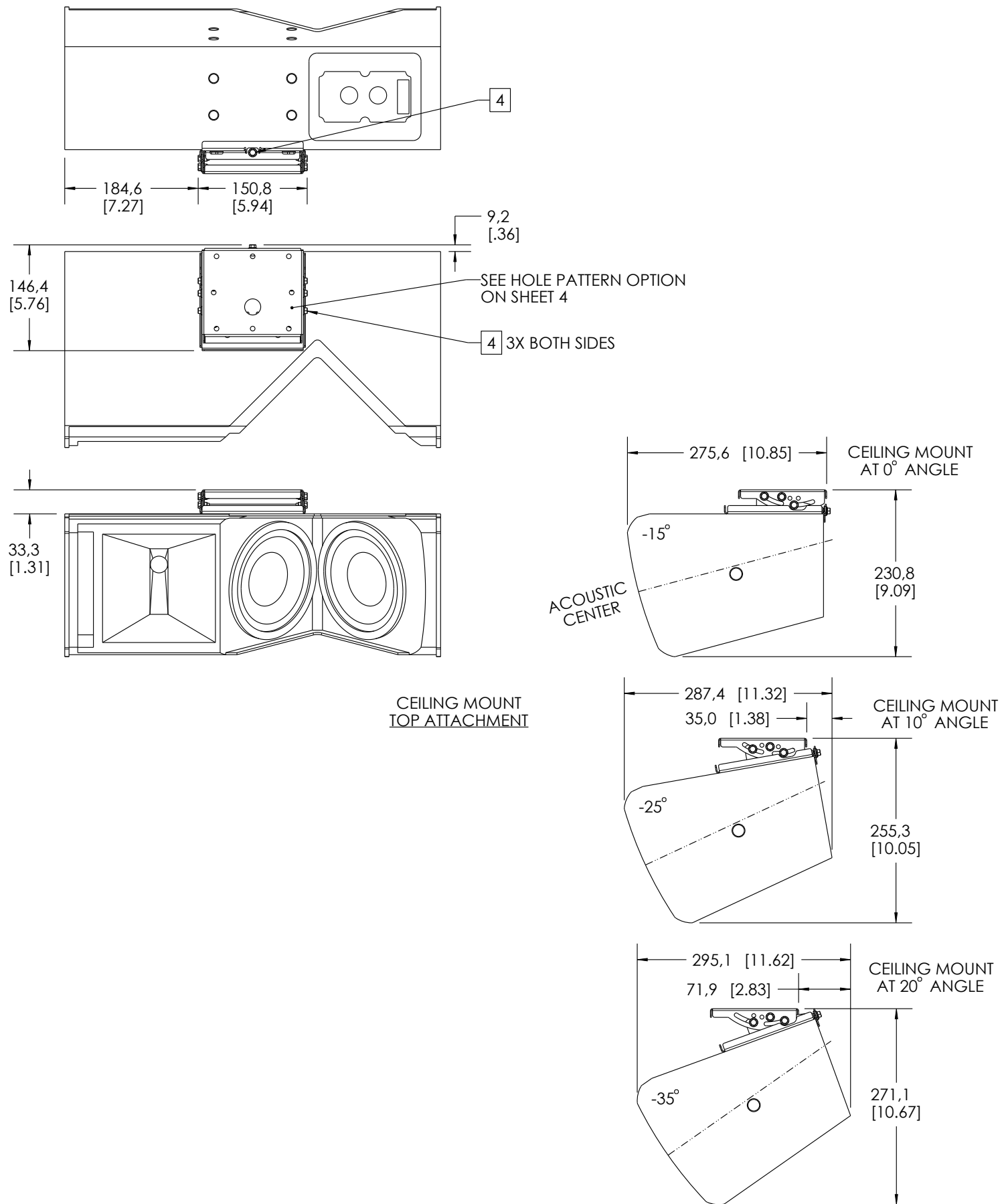


WALL MOUNT
BOTTOM REAR ATTACHMENT



CEILING MOUNT
TOP ATTACHMENT

CEILING MOUNT
BOTTOM ATTACHMENT



QSC, LLC
1675 MACARTHUR BOULEVARD
COSTA MESA, CA 92626 USA

THIS DOCUMENT CONTAINS CONFIDENTIAL OR PROPRIETARY INFORMATION WHICH IS THE PROPERTY OF QSC, LLC. THAT MAY NOT BE DISCLOSED, REPRODUCED OR USED WITHOUT EXPRESS WRITTEN CONSENT FROM QSC, LLC. NO PORTION OF THIS DOCUMENT MAY BE REPRODUCED, REDISTRIBUTED, OR OTHERWISE DISCLOSED TO ANY THIRD PARTY WITHOUT QSC'S WRITTEN PERMISSION.

CAGE CODE
OOPW4
FORM
QOS40169 B

UNLESS OTHERWISE SPECIFIED
DIMENSIONS ARE IN MM [IN]
PROJECTION

TOLERANCES ARE:
DECIMALS ANGLES
.X ± .5 ±.5°
.XX ± .25

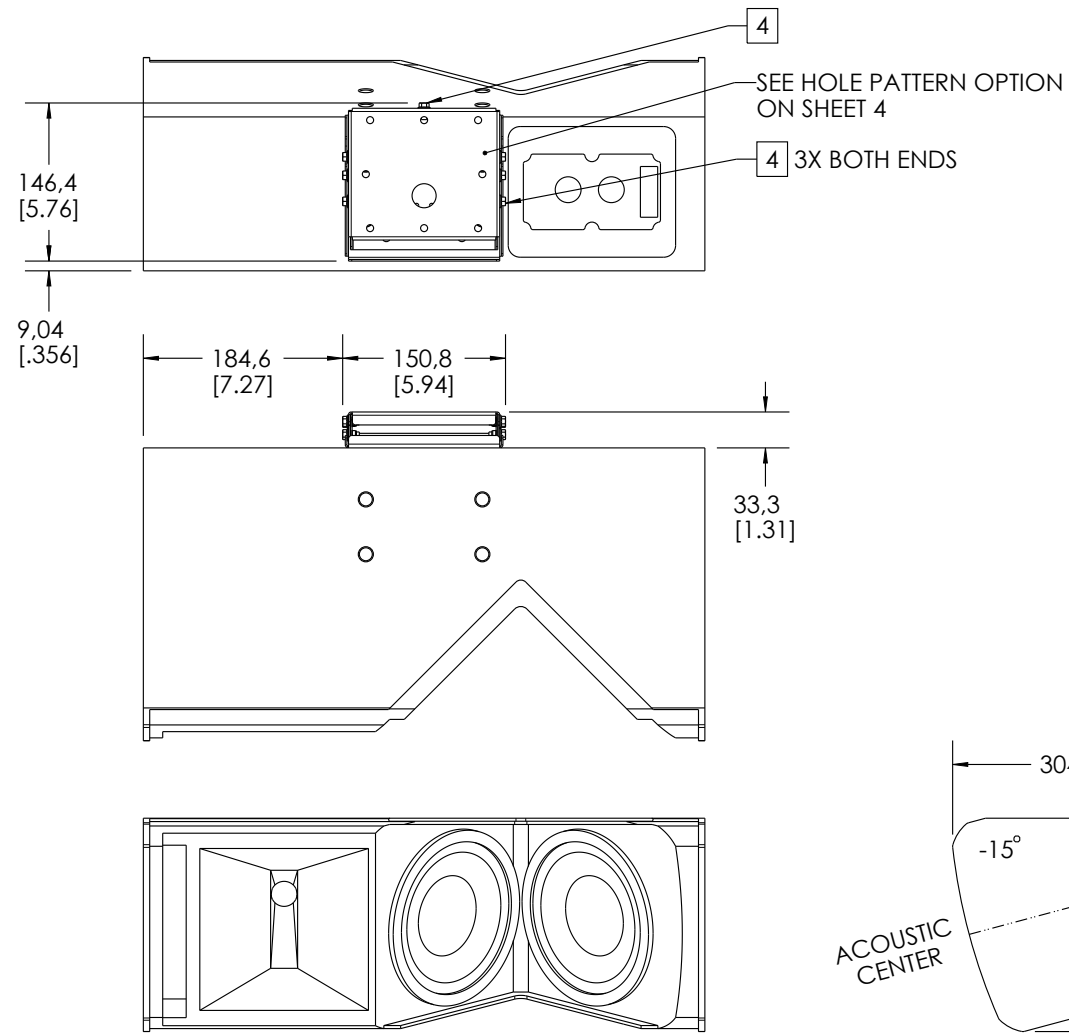
DRAWN BY
M. DAVILA
MECH ENGINEER
B. HAWKINS

TECH DIRECTOR
R. VAUCHER
MFG ENGINEER
A. TRAN

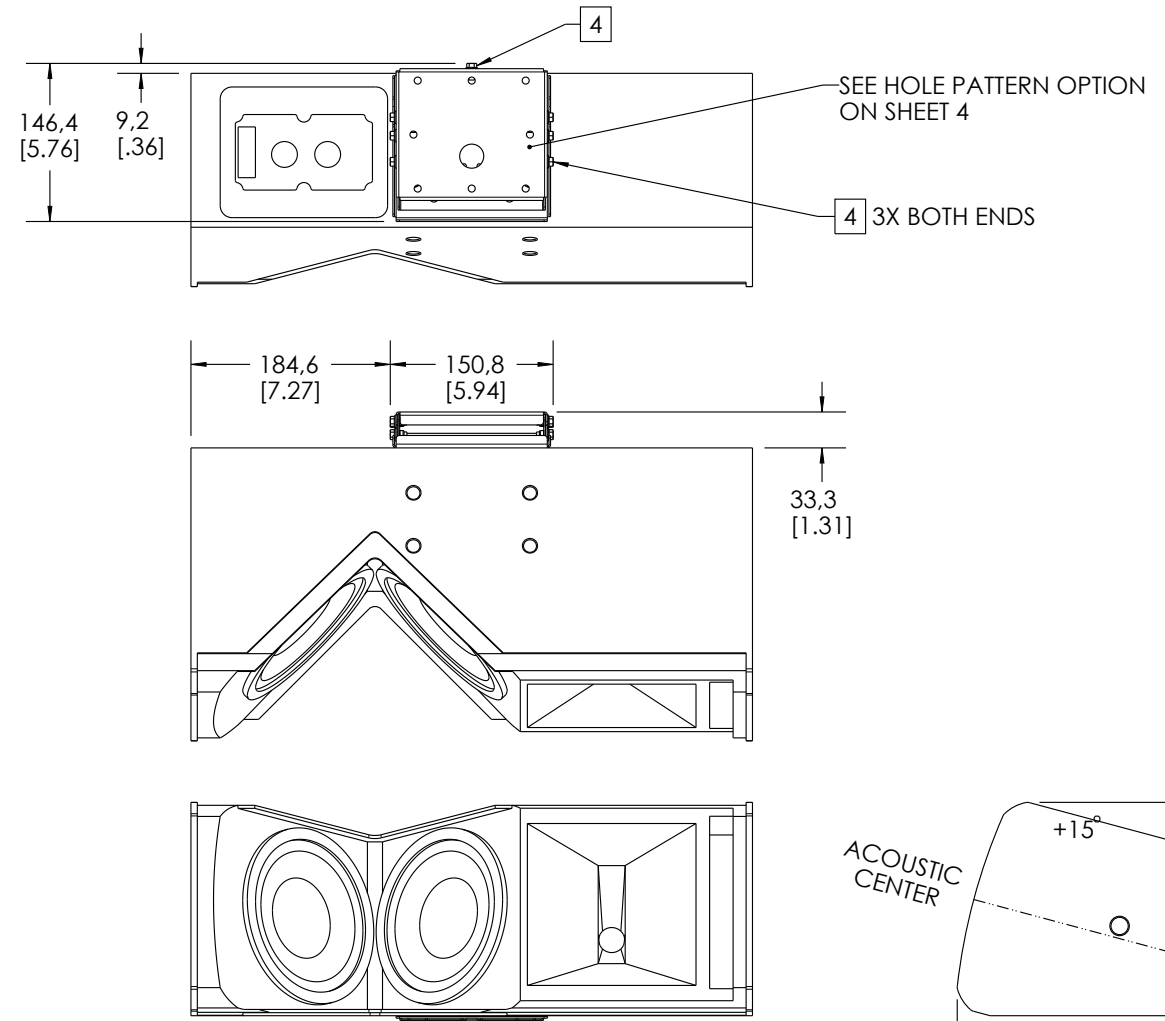
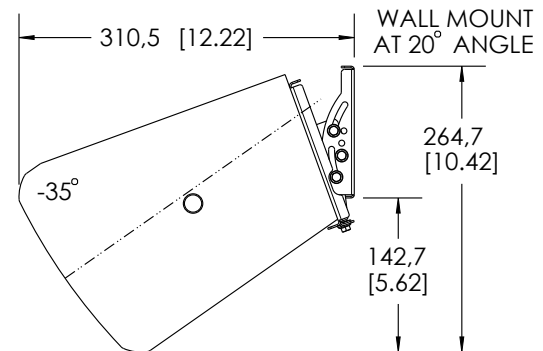
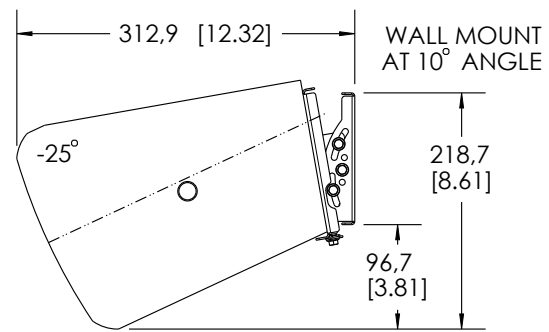
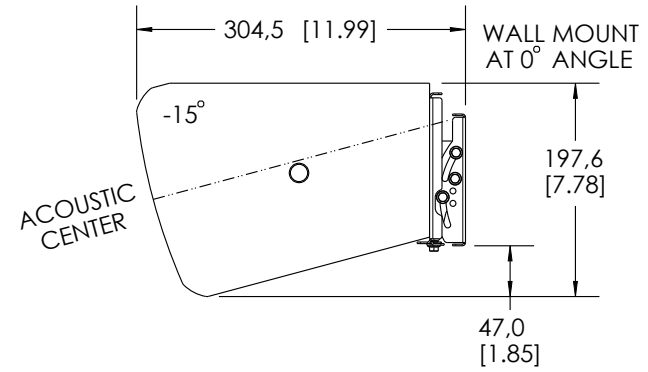
REV BY
MD
REV DATE
26-MAR-2024

ACCESSORY, PL-DC26-FM,
PL-DC26 FLUSH MOUNT

DRAWING NUMBER
FG-901579-2D
SCALE: 1:8
REV
A
SHEET: 2 OF 4



WALL MOUNT
TOP REAR ATTACHMENT



WALL MOUNT
BOTTOM REAR ATTACHMENT

