

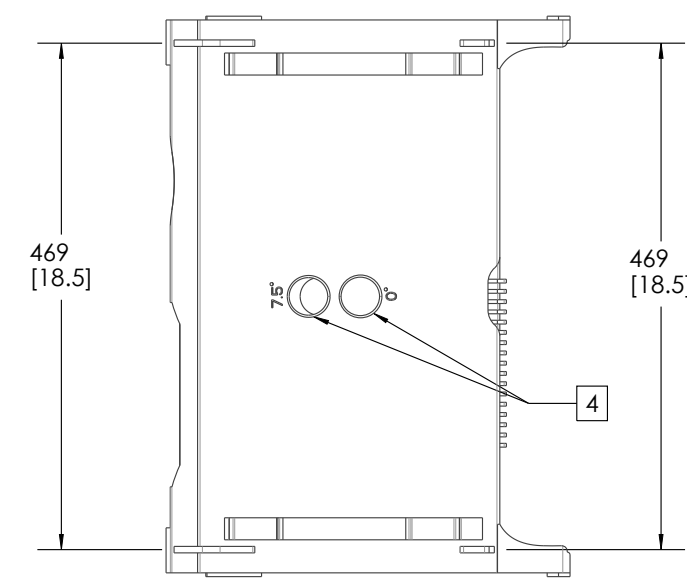
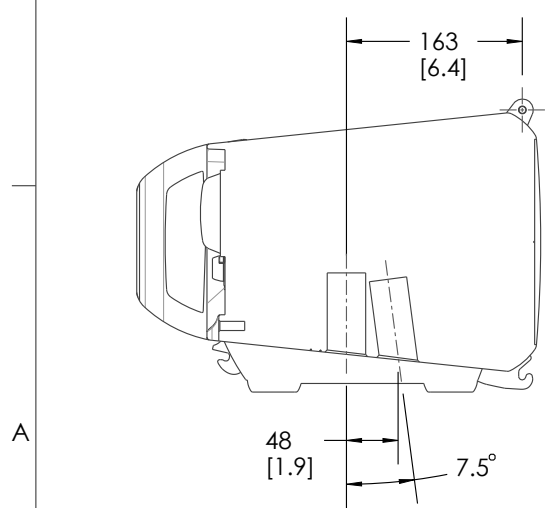
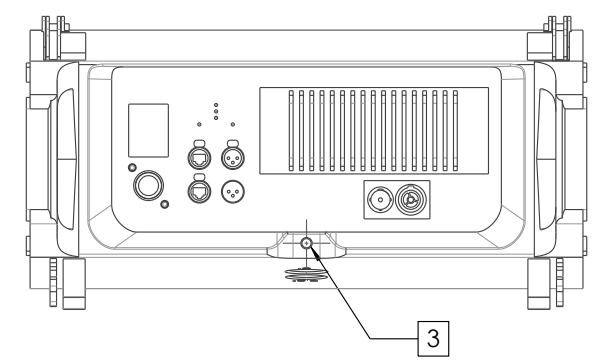
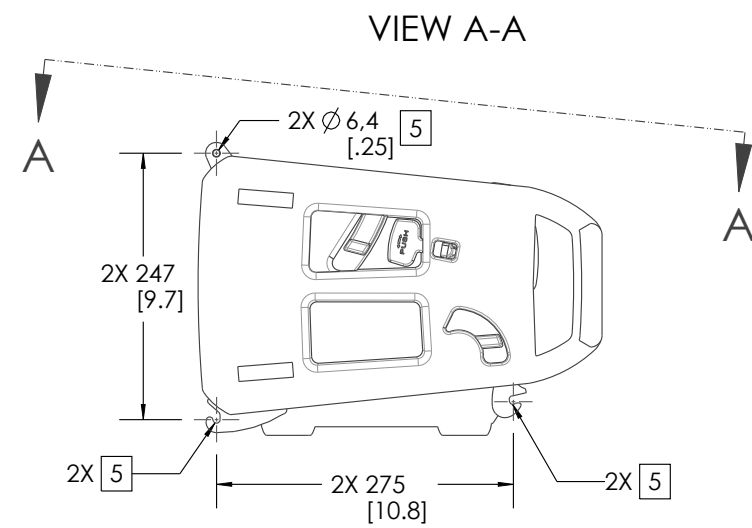
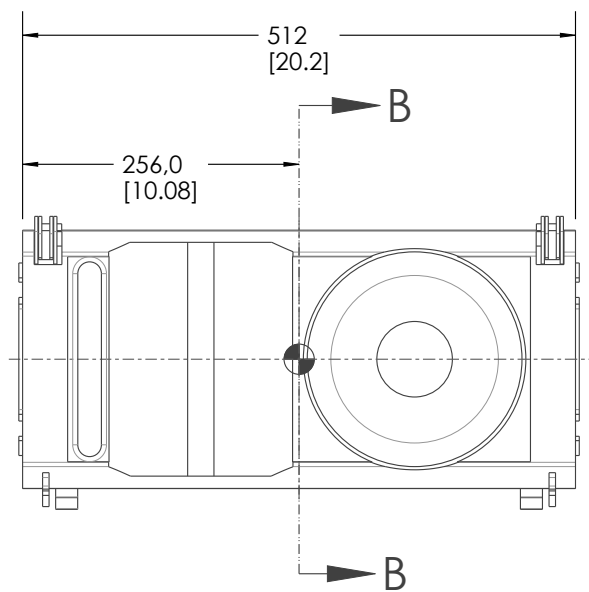
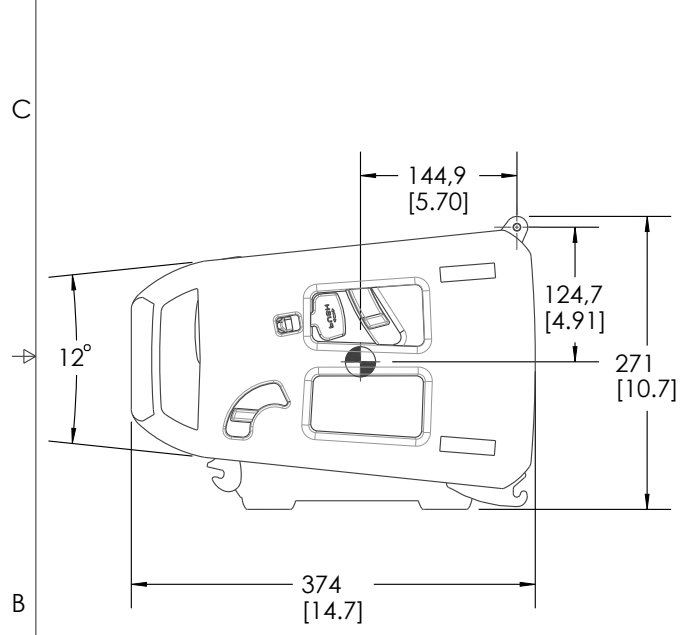
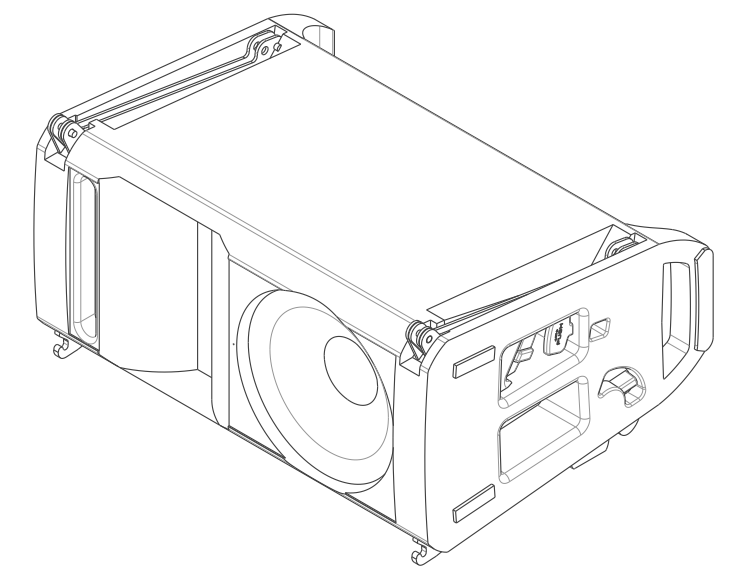
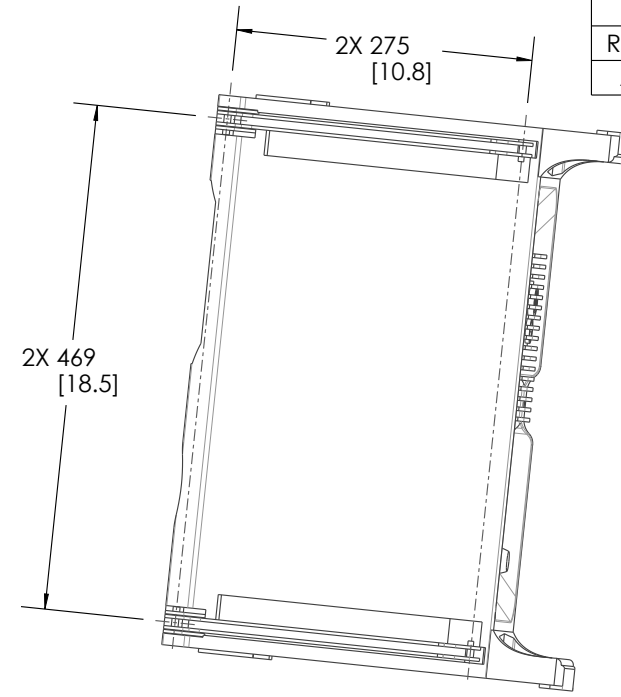




THIS DOCUMENT CONTAINS CONFIDENTIAL OR PROPRIETARY INFORMATION WHICH IS THE PROPERTY OF QSC, LLC, THAT MAY NOT BE DISCLOSED, REPRODUCED OR USED WITHOUT EXPRESS WRITTEN CONSENT FROM QSC, LLC. NO PORTION OF THIS DOCUMENT MAY BE REPRODUCED, REDISTRIBUTED, OR OTHERWISE DISCLOSED TO ANY THIRD PARTY WITHOUT QSC'S WRITTEN PERMISSION.

NOTES: UNLESS OTHERWISE SPECIFIED

1. NET WEIGHT APPROX. 13.6 KG [30.0 LBS].
2. SYMBOL  INDICATES CENTER OF GRAVITY.
3. SYMBOL  INDICATES SUSPENSION POINT, M10 THREAD, 1 PLACE.
4. POLE MOUNT LOCATION, 2 PLACES.
5. SUSPENSION PIN MOUNTING LOCATIONS, 6 PLACES.
6. GRILLE NOT SHOWN FOR CLARITY.

REVISION		BY	DATE
REV	DESCRIPTION	SS	9-SEPT-2022
A	INITIAL RELEASE		



UNLESS OTHERWISE SPECIFIED DIMENSIONS ARE IN MM [IN] TOLERANCES ARE: DECIMALS .X ± 3 [0.12] ANGLES .XX ± 1°	CAD GENERATED DRAWING DO NOT MANUALLY UPDATE	 QSC, LLC 1675 MACARTHUR BOULEVARD COSTA MESA, CA 92626 USA
	APPROVALS	
MATERIAL SEE NOTES	DRAWN BY S. STASIAK	LOUDSPEAKER, LA108,100-2 40V, 8" 2-WAY
FINISH SEE NOTES	MECH ENGINEER T. AMUNDSON	
DO NOT SCALE DRAWING	TECH DIRECTOR R. VAUCHER	SIZE CAGE CODE DWG. NO. B 00PW4 FG-901522-2D
PROJECTION SYMBOL 	MFG ENGINEER C. YOMOGIDA	REV A
		SCALE: 1:7 CAD FILE: FG-901522-2D.A.3 SHEET: 1 OF 1