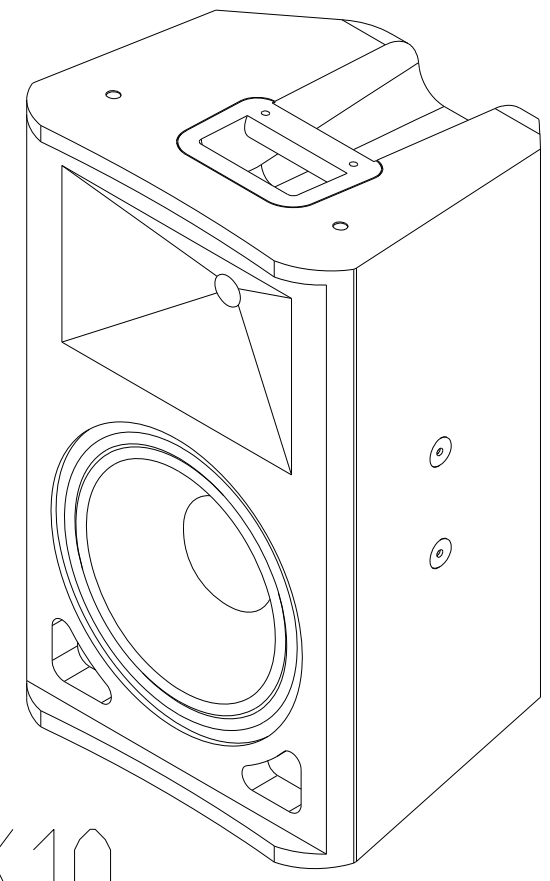
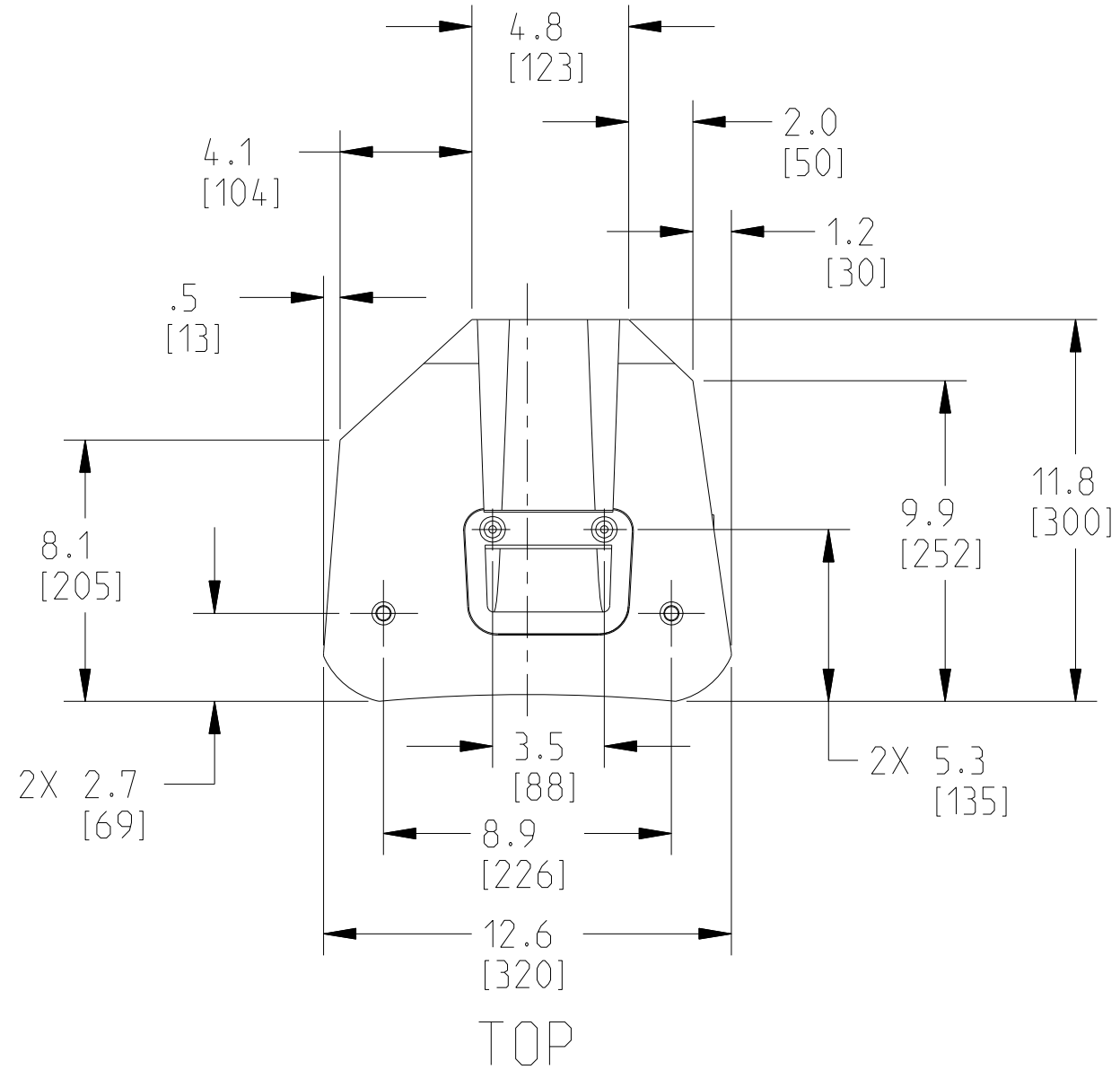
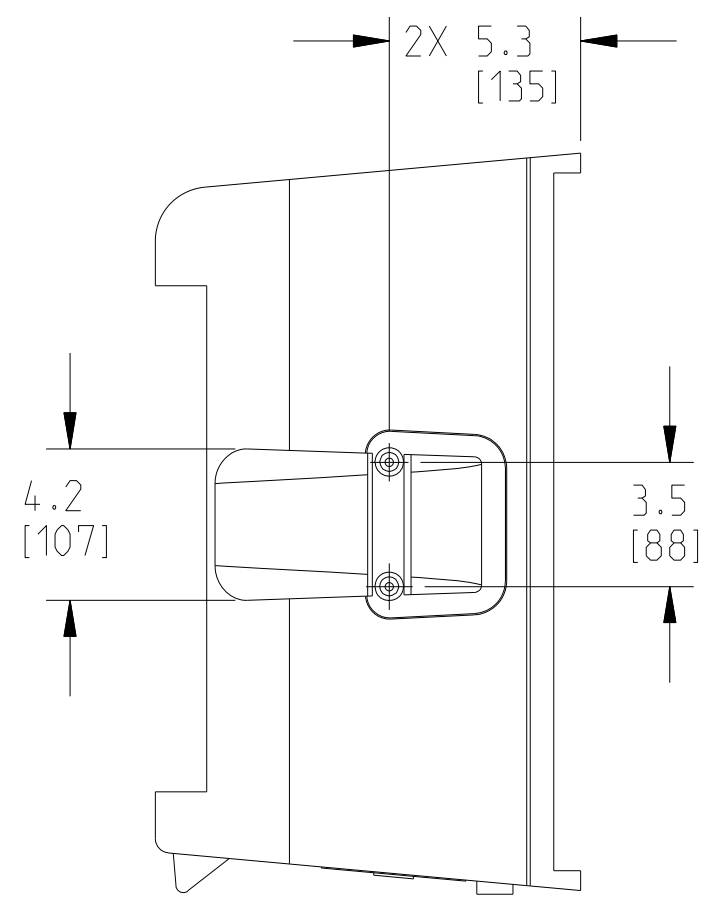


THIS DOCUMENT CONTAINS PROPRIETARY INFORMATION WHICH IS THE PROPERTY OF QSC AUDIO PRODUCTS. THAT MAY NOT BE DISCLOSED, REPRODUCED OR USED WITHOUT EXPRESS WRITTEN CONSENT FROM QSC AUDIO PRODUCTS.

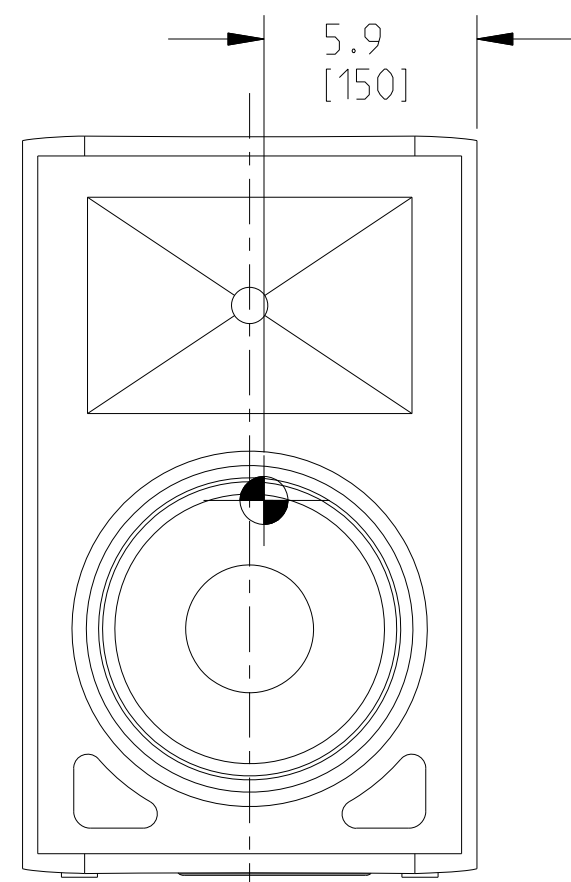
REVISIONS				
REV	DESCRIPTION	EFF DATE	CHK	APVD
A	PRODUCTION RELEASE W/O CHANGE PER ECO 9231 JD	5-20-09	CD	DD



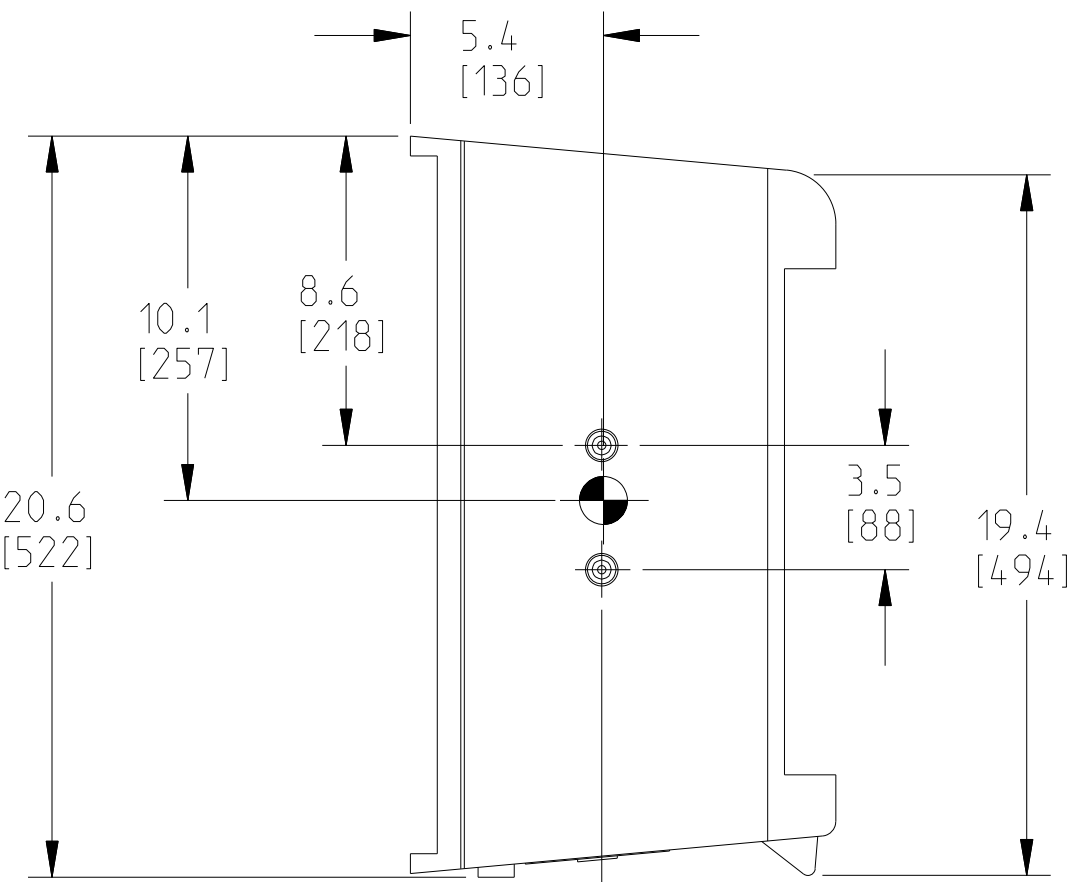
K10



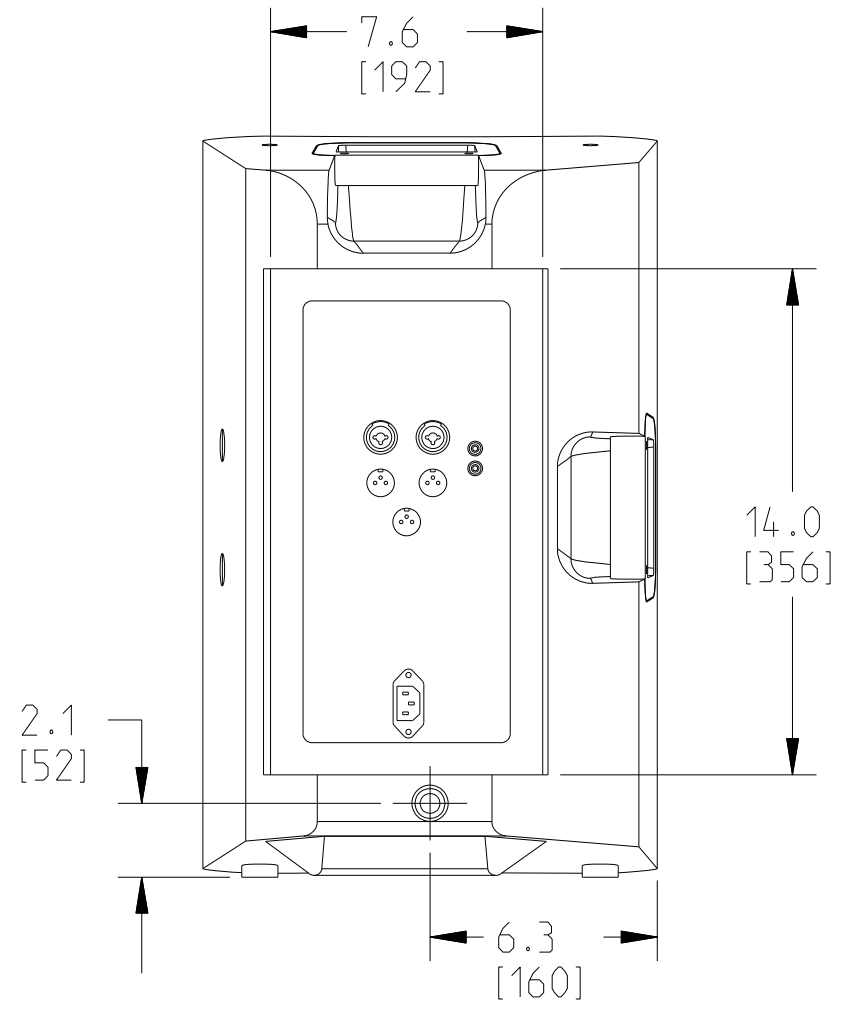
LEFT



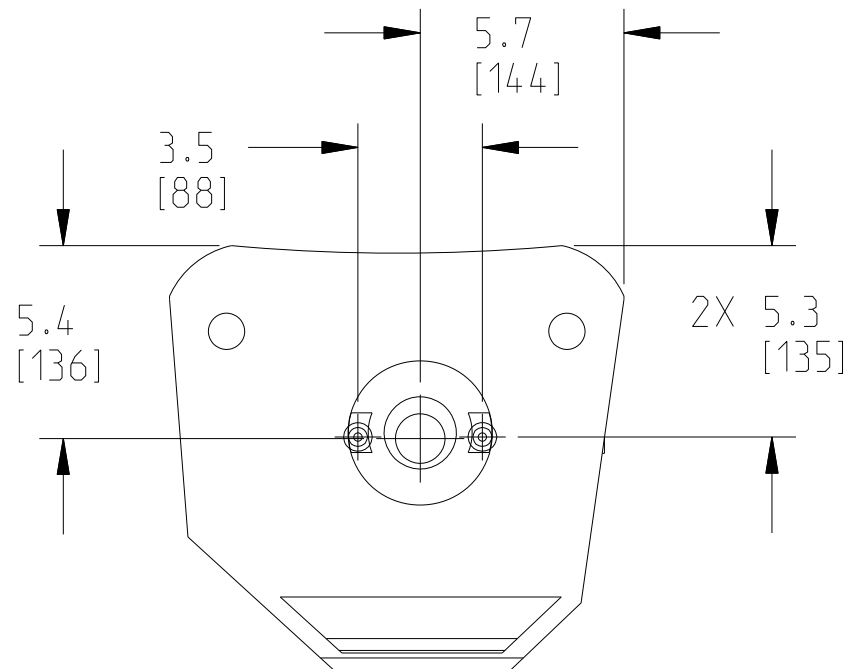
FRONT



RIGHT



REAR



BOTTOM

- 5. PARTS ARE SYMMETRICAL ABOUT CENTER LINES UNLESS OTHERWISE NOTED.
- 4. SYMBOL INDICATES CENTER OF BALANCE.
- 3. SYMBOL INDICATES SUSPENSION POINT, 11 TOTAL:
  - 2 EA M10-1.5 THD - TOP PANEL
  - 2 EA M5-0.8 THD - TOP PANEL
  - 2 EA M5-0.8 THD - BOTTOM PANEL
  - 2 EA M5-0.8 THD - RIGHT PANEL
  - 2 EA M5-0.8 THD - LEFT PANEL
  - 1 EA M10-1.5 THD- REAR PANEL
- 2. TOLERANCES (INCHES): .X ± .13, ANGLES: ± 1°.
- 1. NET WEIGHT APPROX. 32 LBS (14.5 KG)
- NOTE: UNLESS OTHERWISE SPECIFIED

UNLESS OTHERWISE SPECIFIED DIMENSIONS ARE IN INCHES. TOLERANCES ARE: DECIMALS DECIMALS ANGLES .XX ± .02 .XXX ± .010 ± 1/2 DEBURR EDGES .010 R MAX	CONTRACT NO.		QSC AUDIO PRODUCTS, LLC 1675 MACARTHUR BOULEVARD COSTA MESA, CA 92626	
	APPROVALS	DATE		
MATERIAL	DRAWN J. DELARM CHECKED C. DAVIES MFG-ENG G. TSCHETTER ISSUED D. DELARM	DATE 20-May-09 5-18-09 5-19-09 5-20-09	SPEAKER, FINISHED, K10	
FINISH	RD-000522-02.A.0			
DO NOT SCALE DRAWING	RD-000522-02.A.0		DWG NO. RD-000522-01	REV A