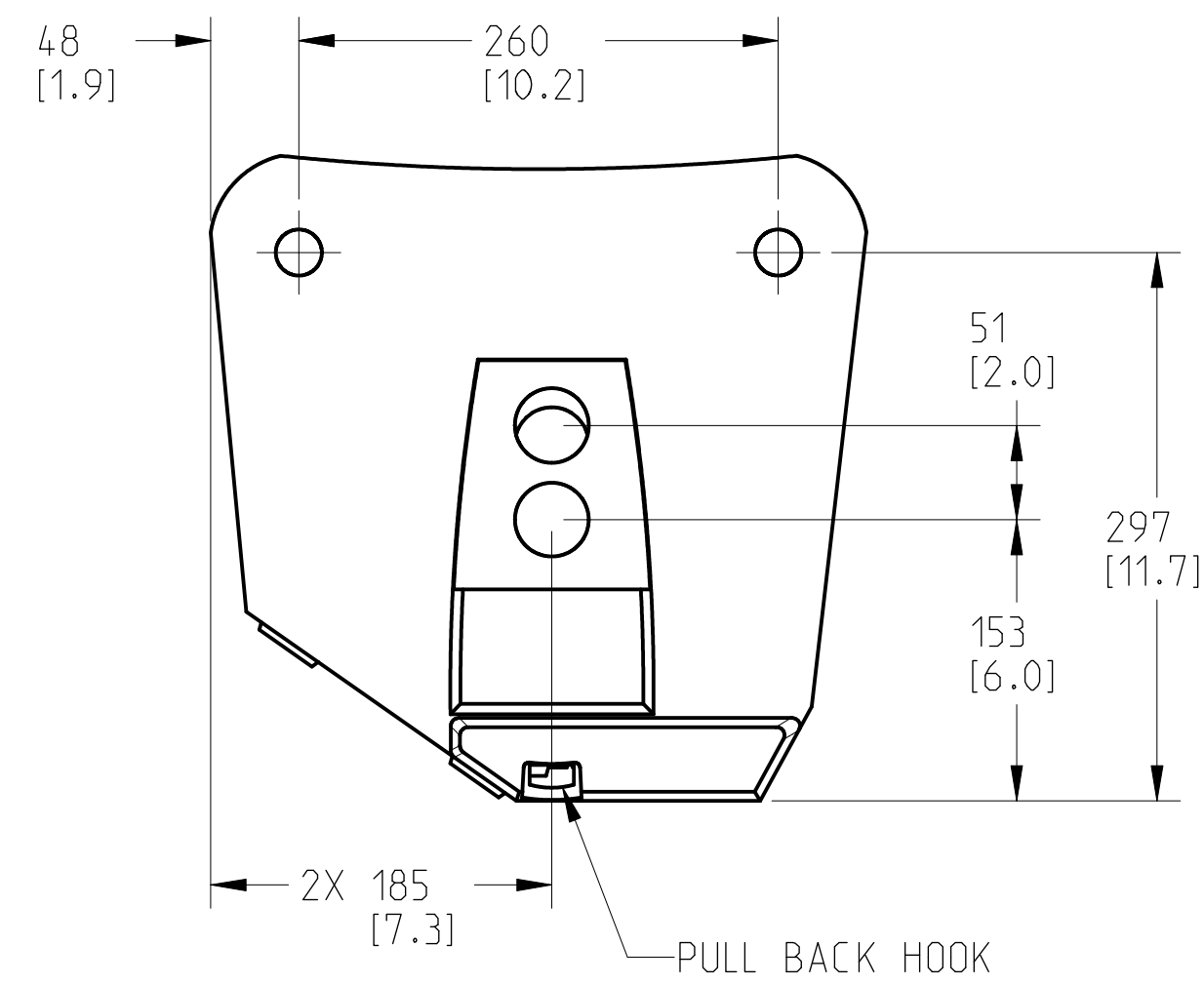
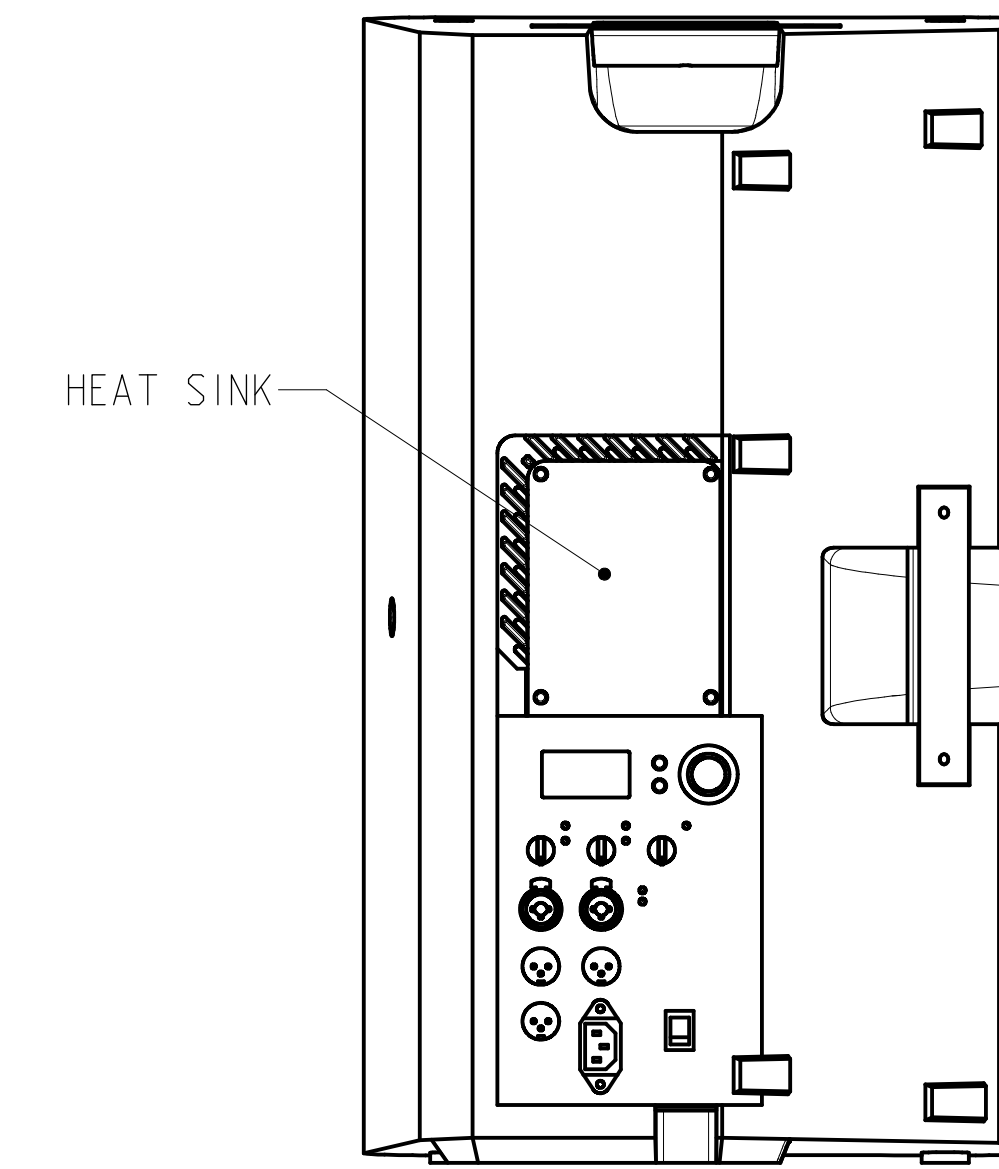
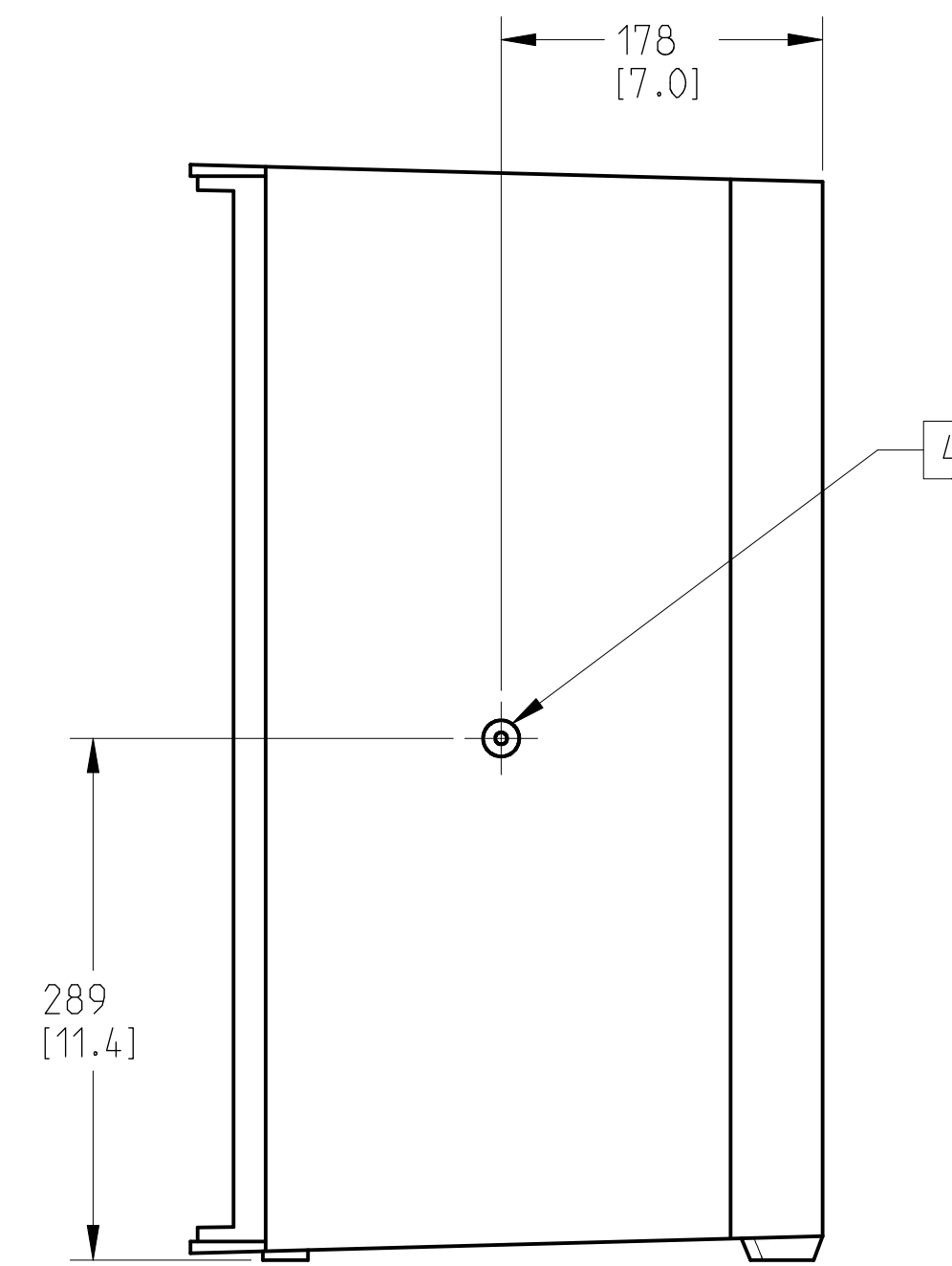
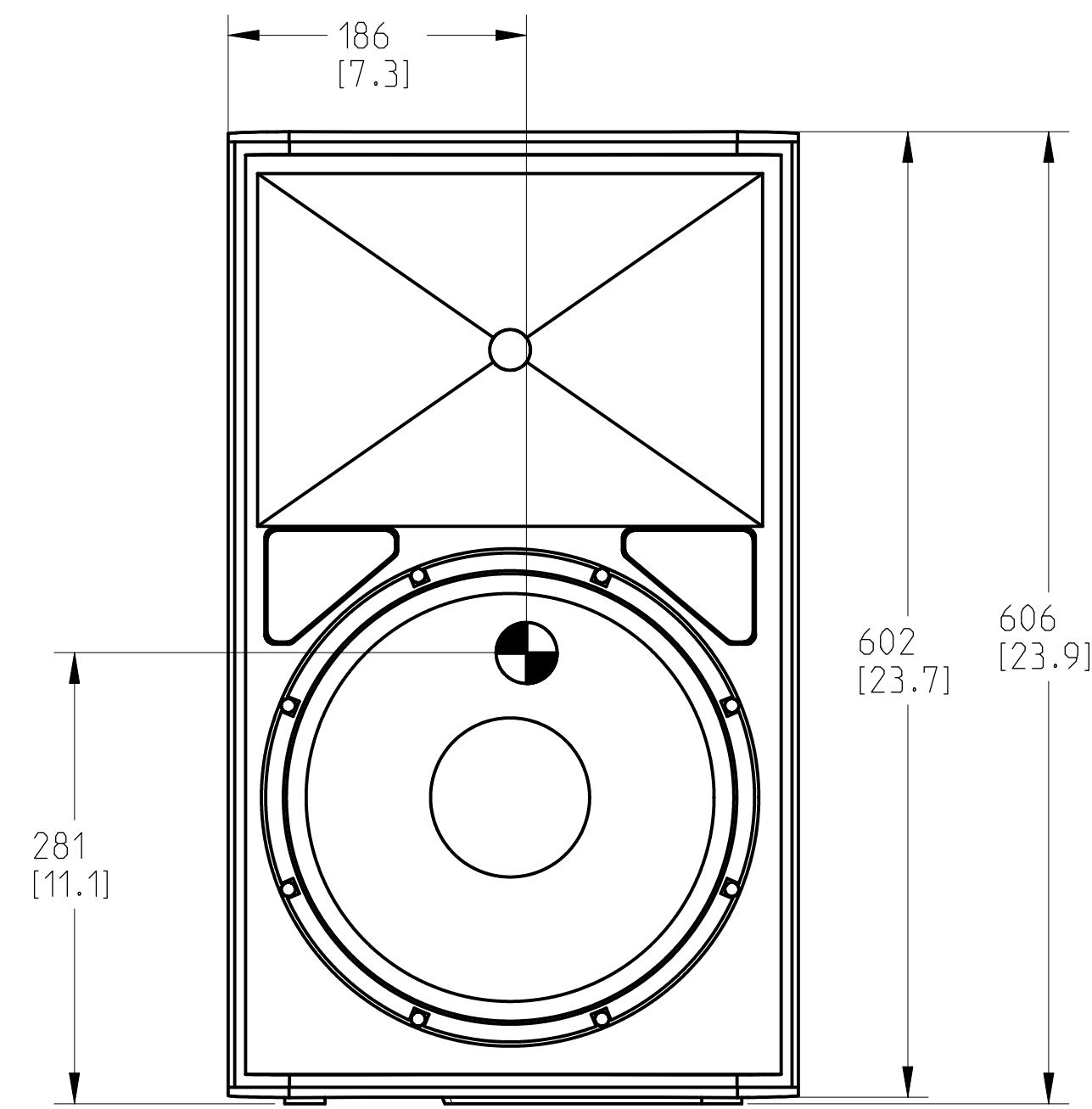
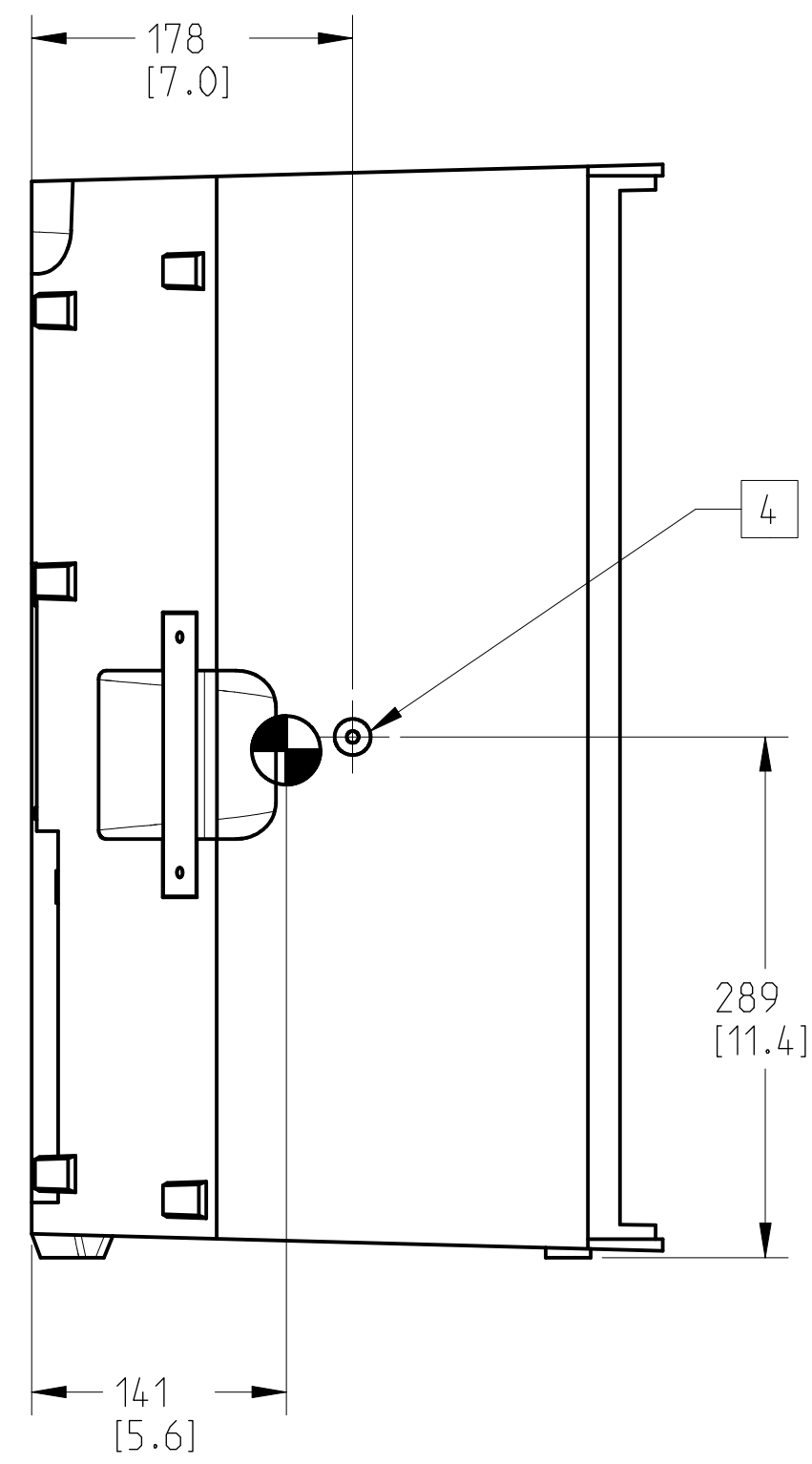
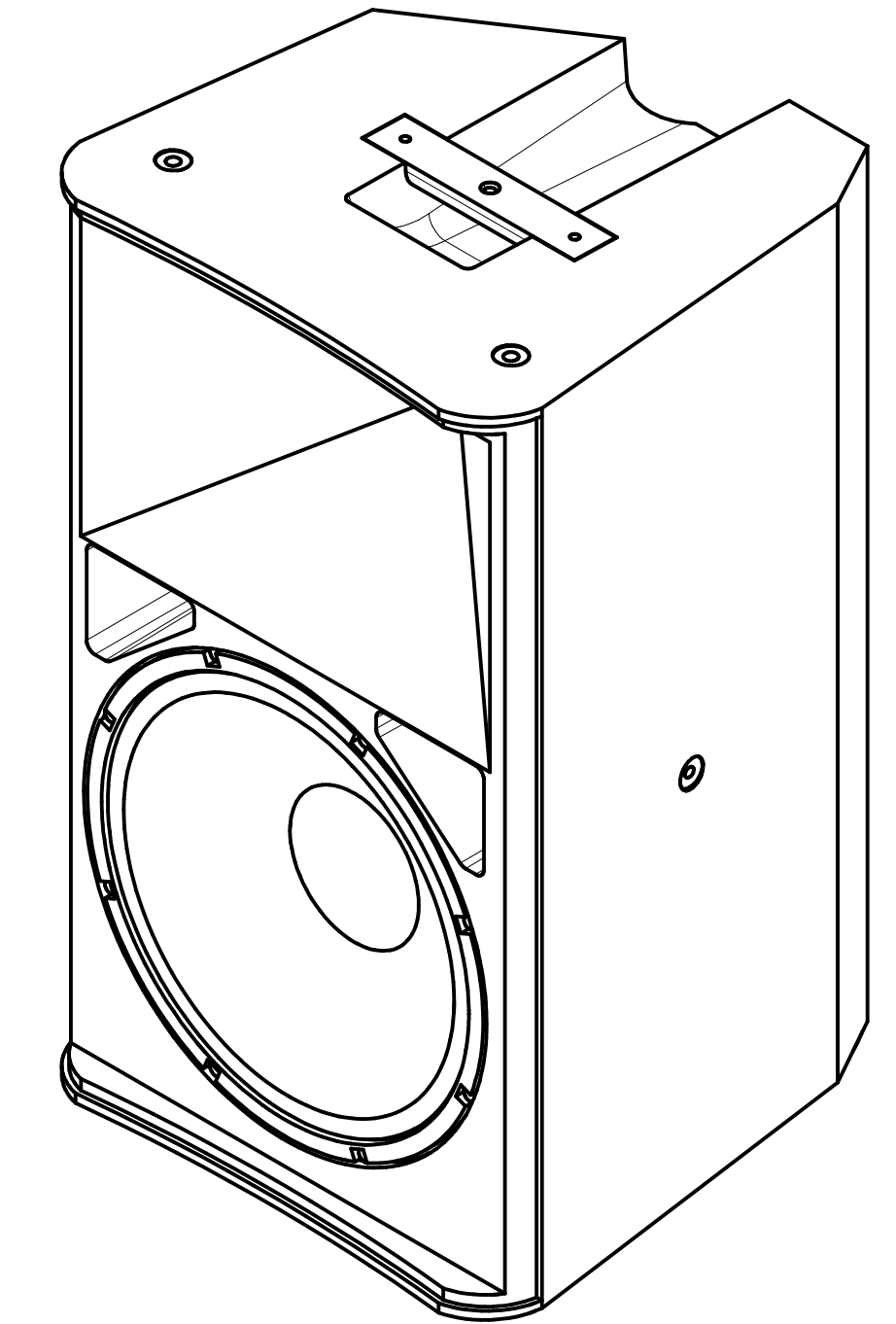
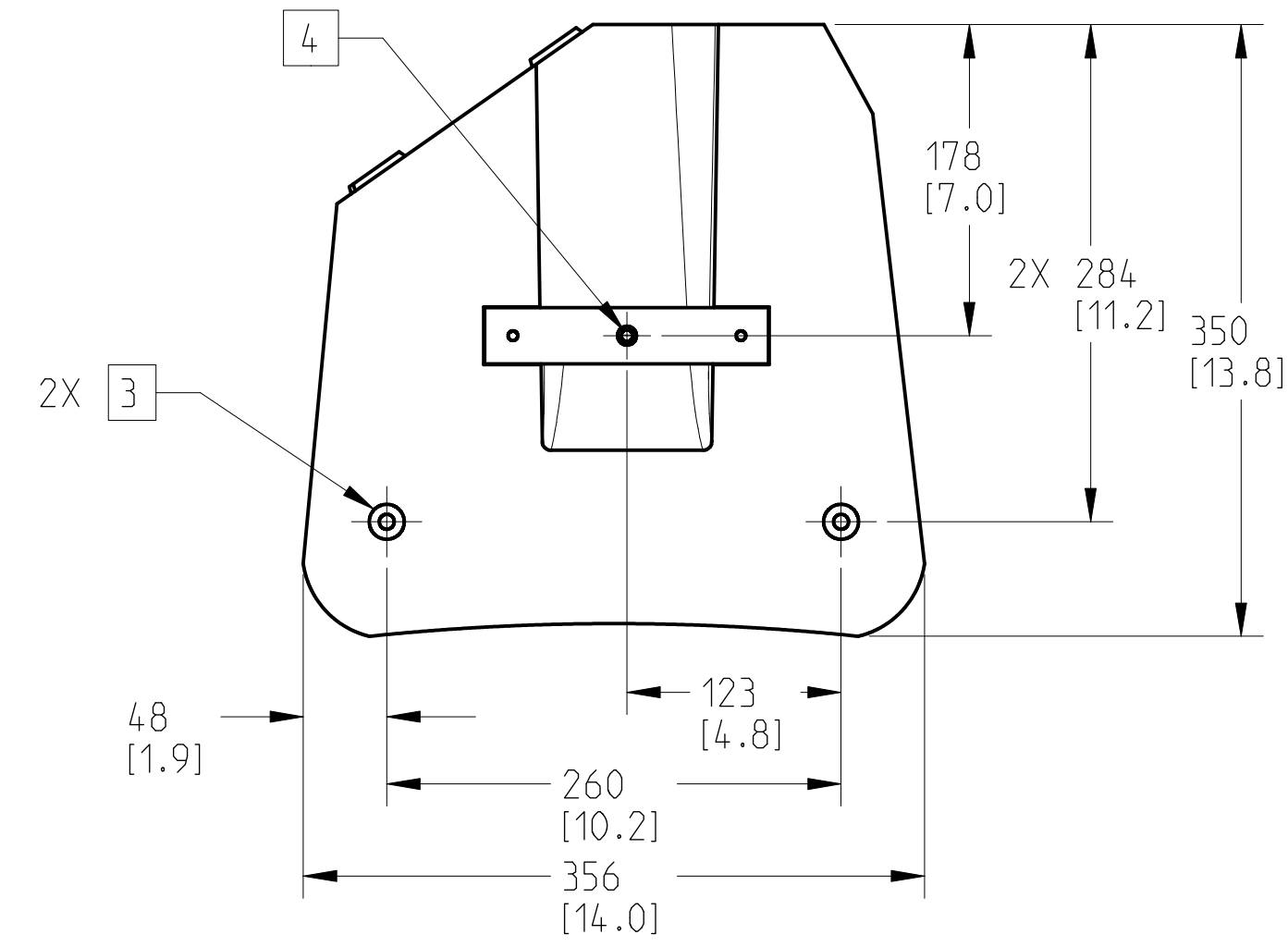


THIS DOCUMENT CONTAINS PROPRIETARY INFORMATION WHICH IS THE PROPERTY OF QSC, LLC. THAT MAY NOT BE DISCLOSED, REPRODUCED OR USED WITHOUT EXPRESS WRITTEN CONSENT FROM QSC, LLC.

REVISIONS			
REV	DESCRIPTION	BY	DATE
A	RELEASE FOR SALES AND MARKETING	ES	16-MAR-17
B	MODIFICATIONS PER ECO-102852.	SS	18-AUG-17



- 7. GRILLE NOT SHOWN FOR CLARITY.
- 6. DIMENSIONS ARE IN MILLIMETERS [INCH].
- 5. SYMBOL ● INDICATES CENTER OF BALANCE.
- 4. YOKE MOUNT ATTACHMENT POINT, M8 THREAD, 3 PLACES.
- 3. SYMBOL ◎ INDICATES SUSPENSION POINT, M10 THREAD, 2 PLACES.
- 2. TOLERANCES (MM): X ± 3, ANGLES: ± 1°.
- 1. NET WEIGHT APPROX. 39.2 LBS [17.8 KG].

NOTES: UNLESS OTHERWISE SPECIFIED

UNLESS OTHERWISE SPECIFIED DIMENSIONS IN MILLIMETERS (IN) TOLERANCES ARE: DECIMALS .XX±.01 ANGLES ± 1/2 DECURR EDGES .25 (1.01) R MAX	DESIGNER ENG. SERVICES	QSC, LLC 1675 MACARTHUR BOULEVARD COSTA MESA, CA 92626	SPEAKER, K12.2, NA, UNIV SPLY, GEN-III, 12", 2-WAY, FINISHED
	ENGINEER		
MATERIAL	TECHNICAL DIRECTOR	SCALE: 0.250 DO NOT SCALE DRAWING SHEET 1 OF 1	
FINISH	MANUFACTURING ENGINEER		
	DRAWING INFO: FG-200012-2D.B.1		
	MODEL INFO: FG-200012-3D.B.1		