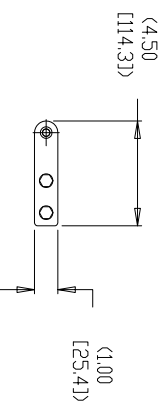
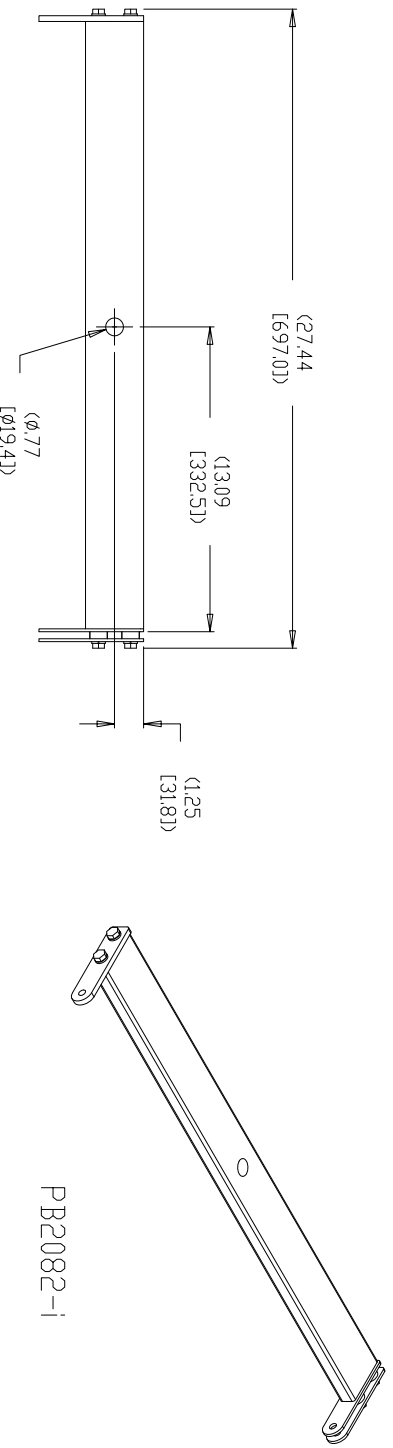


THIS DRAWING CONTAINS PROPRIETARY INFORMATION AND IS NOT TO BE REPRODUCED OR TRANSMITTED IN ANY FORM OR BY ANY MEANS, ELECTRONIC OR MECHANICAL, INCLUDING PHOTOCOPYING, RECORDING, OR BY ANY INFORMATION STORAGE AND RETRIEVAL SYSTEM, WITHOUT THE WRITTEN PERMISSION OF QSC AUDIO PRODUCTS, INC.

REV	DESCRIPTION	EFF DATE	CHK	APPROVED DATE
A	RELEASE PER ECD 7292 JD	6-23-06		B.H.



UNLESS OTHERWISE SPECIFIED DIMENSIONS ARE IN INCHES.

TOLERANCES ARE:  
 DECIMALS DECIMALS ANGLES  
 .XX ±.02 .XXX ±.000 ±1/2  
 DEBURR EDGES 100 R MAX

MATERIAL NONE  
 FINISH NONE  
 DDD NOT SCALE DRAWING

CONTRACT NO.	APPROVALS	DATE
	DESIGNED BY: J. DELARM	23-Jun-06
	CHECKED BY: B. HAWKINS	23-Jun-06
	ISSUED BY: A. RUTKIN	23-Jun-06
	ISSUED BY: D. DELARM	23-Jun-06

**QSC** QSC AUDIO PRODUCTS, INC.  
 1675 MACARTHUR BOULEVARD  
 COSTA MESA, CA 92626

ASSY, PULL BACK BAR, PB2082-1

- SHIPPING WEIGHT APPROX. 6 LB (2.7 KG).
  - NET WEIGHT APPROX. 6 LB (2.7 KG)
  - SYMBOL © INDICATES SUSPENSION POINT, Ø .33"
- NOTE: UNLESS OTHERWISE SPECIFIED