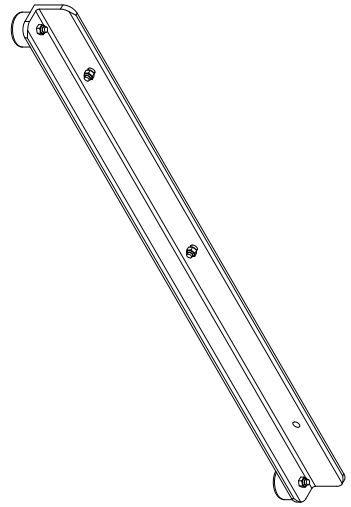
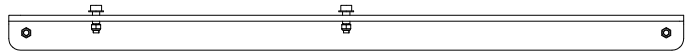
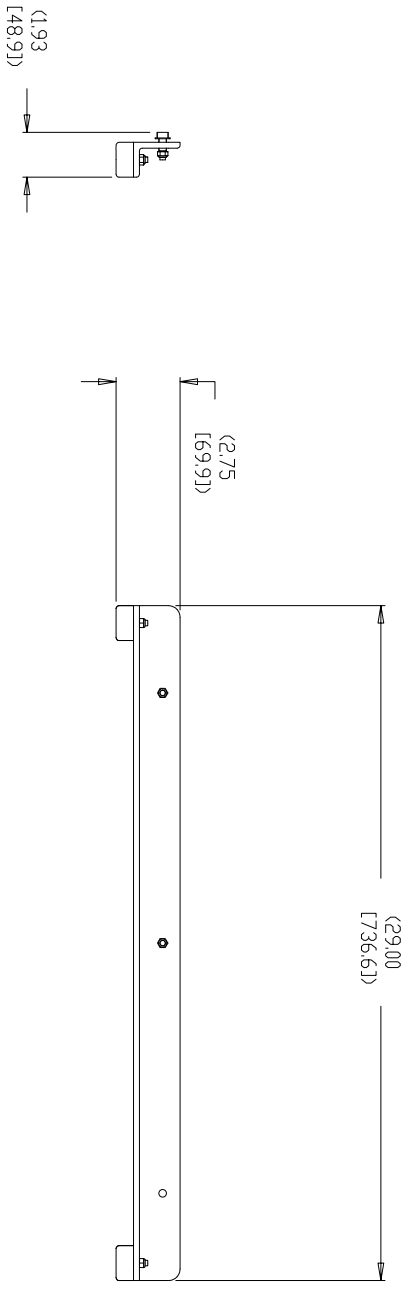


THIS DRAWING CONTAINS PROPRIETARY INFORMATION. IT IS NOT TO BE REPRODUCED, COPIED, OR TRANSMITTED IN ANY FORM OR BY ANY MEANS, ELECTRONIC OR MECHANICAL, INCLUDING PHOTOCOPYING, RECORDING, OR BY ANY INFORMATION STORAGE AND RETRIEVAL SYSTEM, WITHOUT THE WRITTEN PERMISSION OF QSC AUDIO PRODUCTS, INC.

REV	DESCRIPTION	EFF DATE	CHK	APPROVED DATE
A	RELEASE PER ECD 7292 JD	6-23-06		B.H.



GS115-SW



UNLESS OTHERWISE SPECIFIED DIMENSIONS ARE IN INCHES.		TOLERANCES ARE:		ANGLES	
DECIMALS	DECIMALS	XX ±02	XXX ±010	±1/2	
DEBURR EDGES .010 R MAX					
MATERIAL NONE					
FINISH NONE					
DD NOT SCALE DRAWING					
CONTRACT NO.		APPROVALS		DATE	
DRAWN J. DELARM		CHECKED B. HAWKINS		23-Jun-06	
DESIGNED D. DELARM		MKT A. RUTKIN		23-Jun-06	
VP-000441-01.mch.3.5		SCALE 0.250		RD-000371-01A.4	
QSC		ASSY, GROUND STACK ANGLE		GS115-SW	
QSC AUDIO PRODUCTS, INC.		1675 MACARTHUR BLDG. EYARD		COSTA MESA, CA 92626	
DWG. NO.	RD-000371-01	REV	A	SHEET	1 OF 1

1. NET WEIGHT APPROX. 5 LB (2.3 KG) PER SET.
NOTE: UNLESS OTHERWISE SPECIFIED

