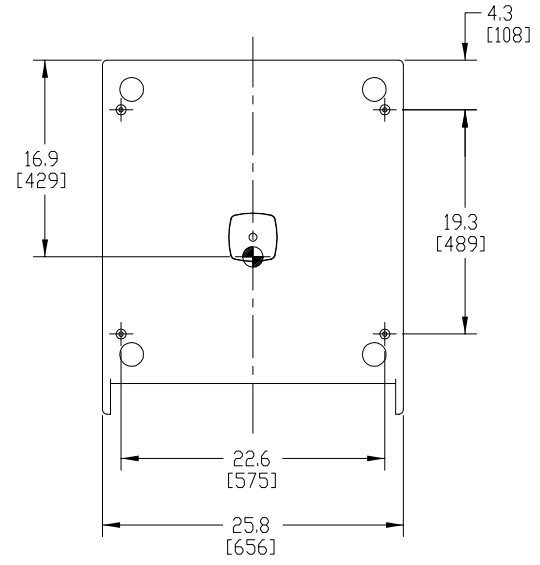
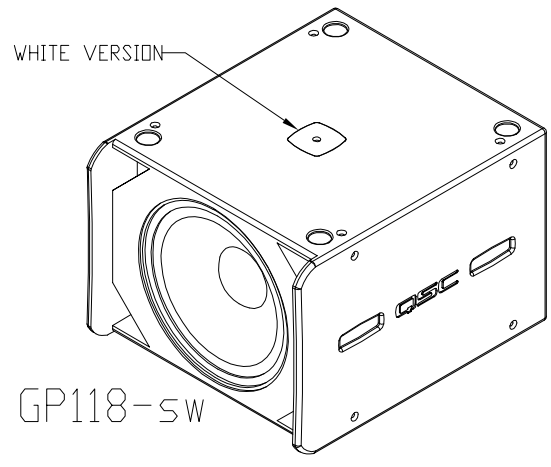


THIS DOCUMENT CONTAINS PROPRIETARY INFORMATION WHICH IS THE PROPERTY OF QSC AUDIO PRODUCTS, THAT MAY NOT BE DISCLOSED, REPRODUCED OR USED WITHOUT EXPRESS WRITTEN CONSENT FROM QSC AUDIO PRODUCTS.

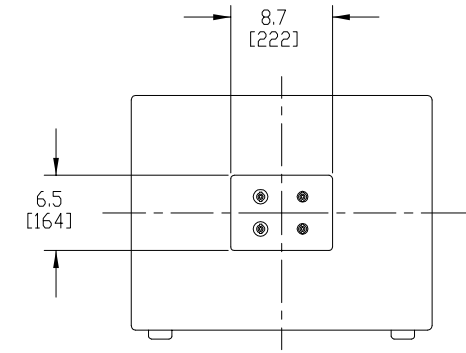
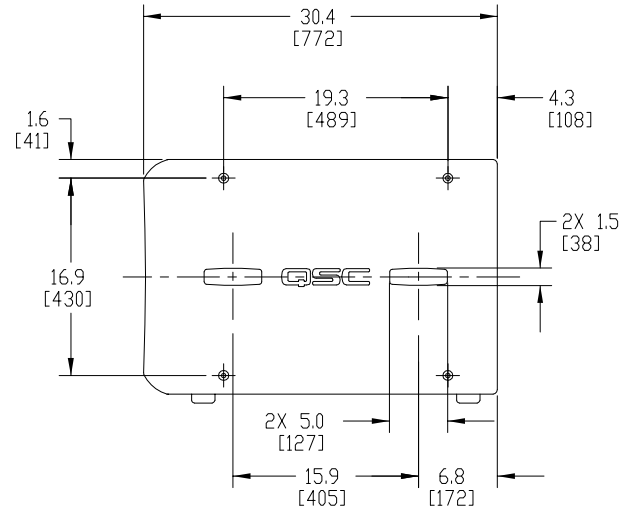
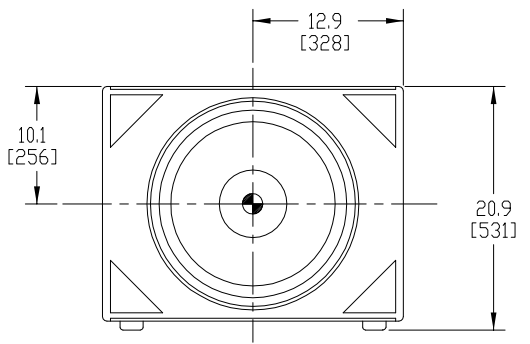
REVISIONS					
REV	ECD	DESCRIPTION	BY	EFF DATE	ISSUED
A	-	RELEASE	JD	29-OCT-13	-



NO POLE CUP ON WHITE VERSION



GP118-SW



5. PARTS ARE SYMMETRICAL ABOUT CENTER LINES UNLESS OTHERWISE NOTED.
 4. SYMBOL INDICATES CENTER OF BALANCE.
 3. SYMBOL INDICATES SUSPENSION POINT, 16 TOTAL: M10-1.5 THD.
 2. TOLERANCES (INCHES): .X ± .13, ANGLES: ± 1°.
 1. NET WEIGHT APPROX. 111 LBS (50.5 KG)
- NOTE: UNLESS OTHERWISE SPECIFIED

UNLESS OTHERWISE SPECIFIED DIMENSIONS IN INCHES (MM) TOLERANCES ARE: DECIMALS .XX±.02(.5) DECIMALS .XXX±.010(.25) ANGLES ± 1/2° DEBURR EDGES .010 (.25) R MAX	APPROVALS	DATE (DD-MMM-YY)
	DRAWN J. DELARM	13-JUL-12
	CHECKED P. SANCHEZ	23-MAR-13
	MFG ENG	-
MATERIAL	QA CHECK	-
FINISH	DRAWING INFO: FG-011801-2D.A.0	MODEL INFO: FG-011801-3D.1.3

	QSC AUDIO PRODUCTS, LLC 1675 MACARTHUR BOULEVARD COSTA MESA, CA 92626	
SPEAKER, FINISHED, GP118-SW		
SIZE C	CAGE CODE 00PW4	DRAWING NO. FG-011801-2D
SCALE: 0.125	DO NOT SCALE DRAWING	SHEET 1 OF 1