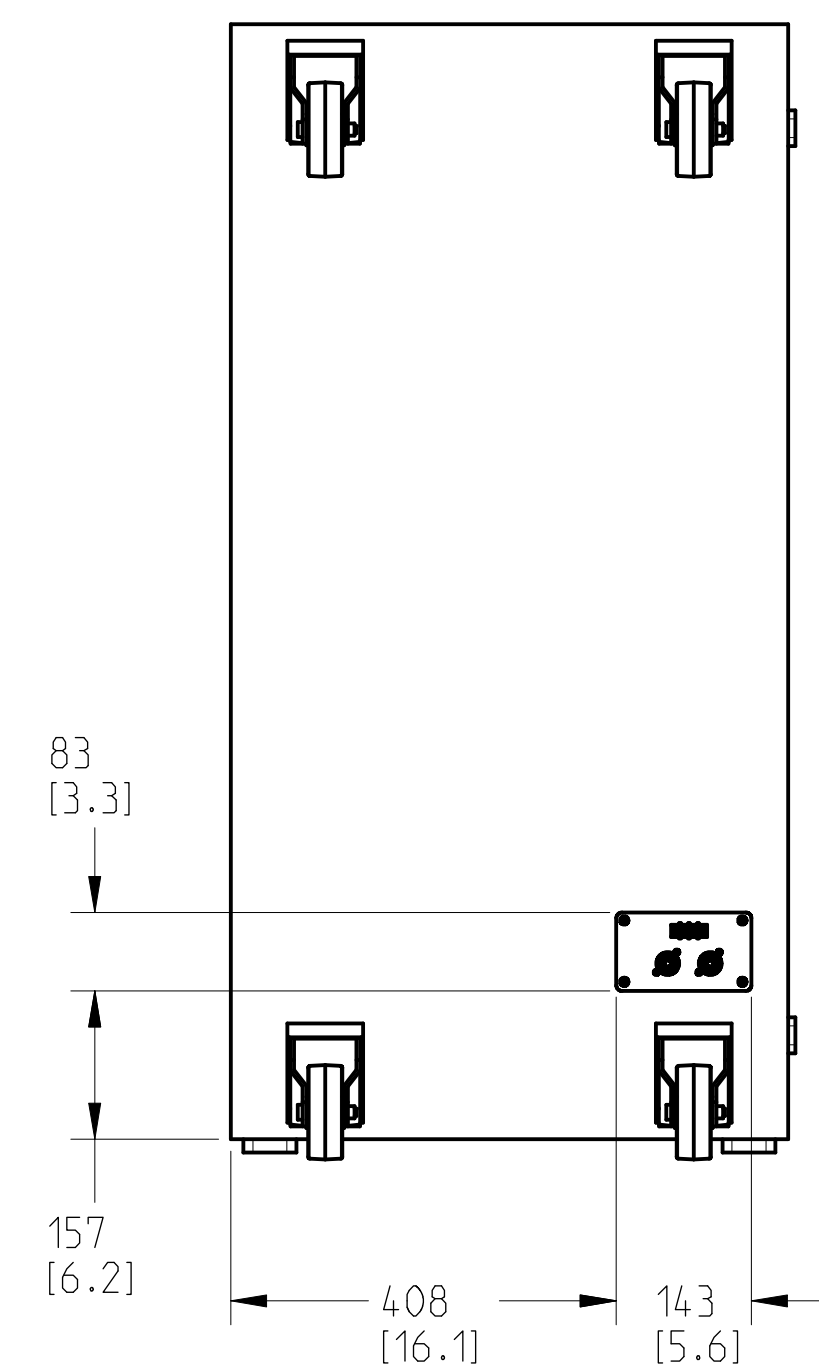
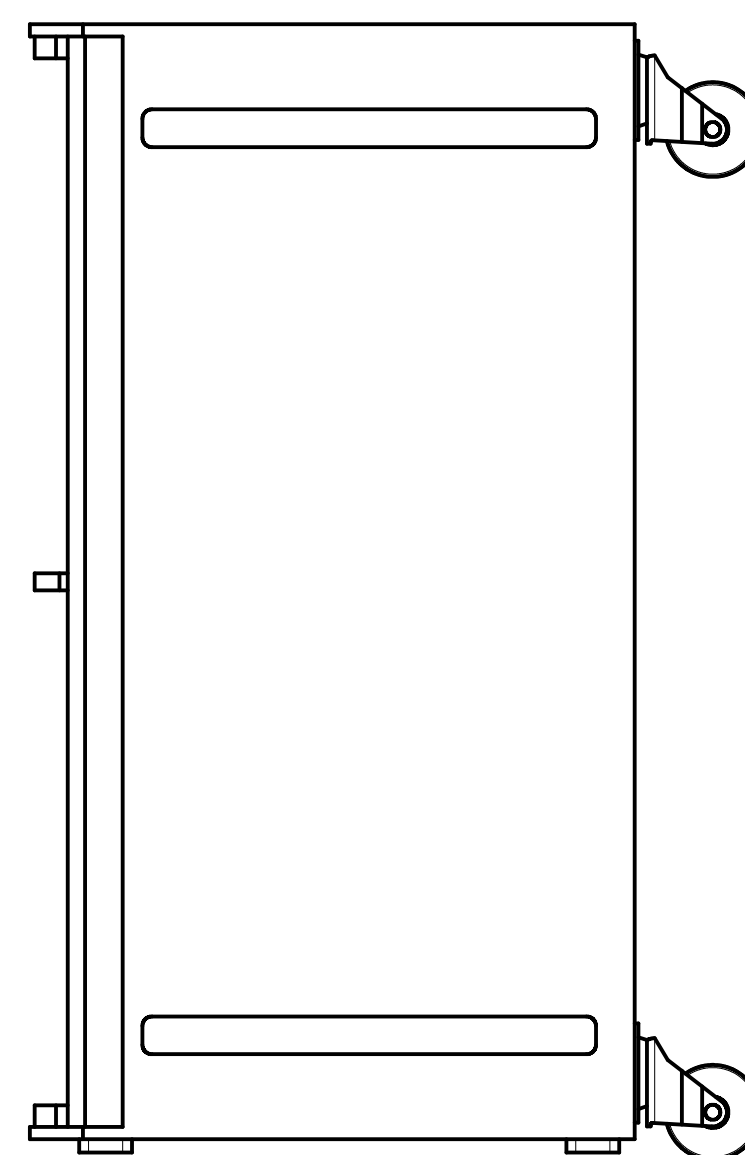
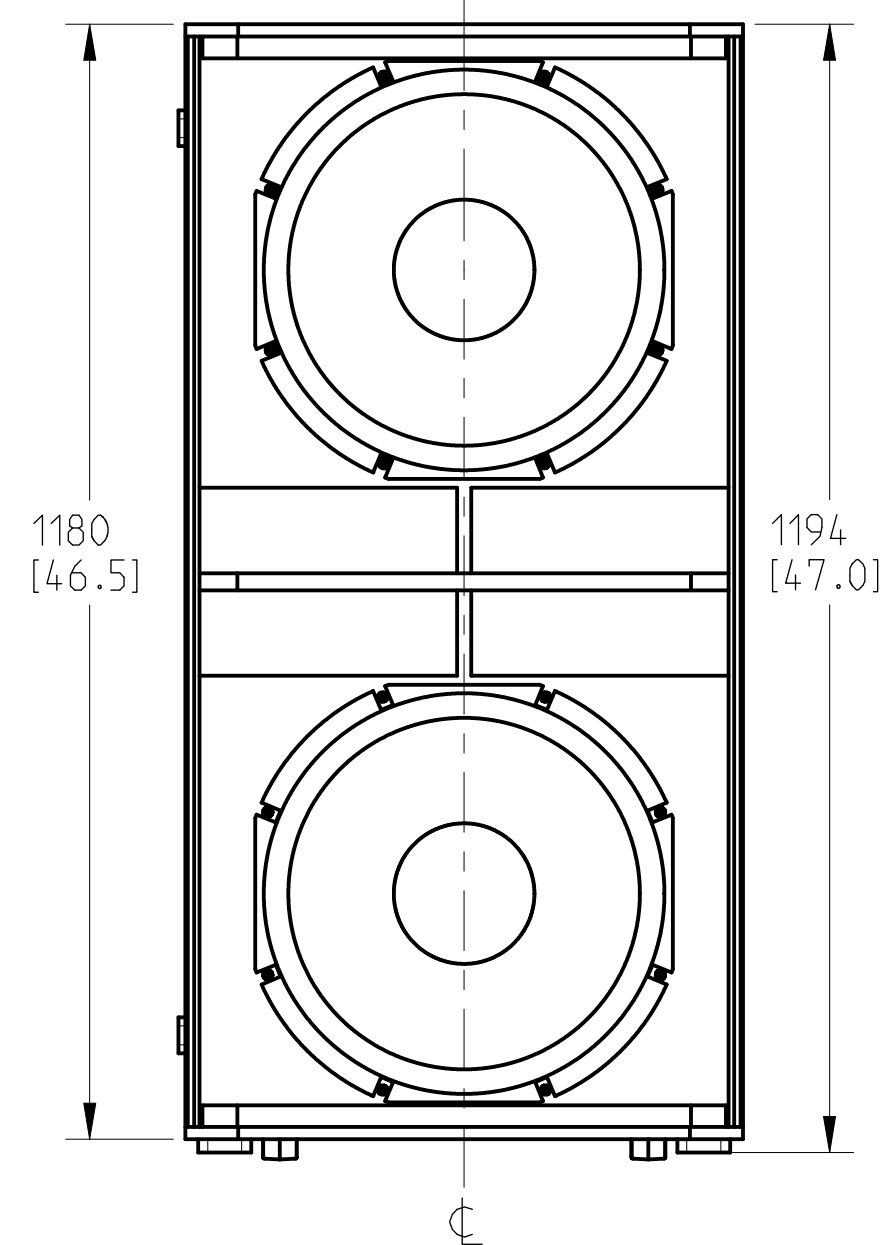
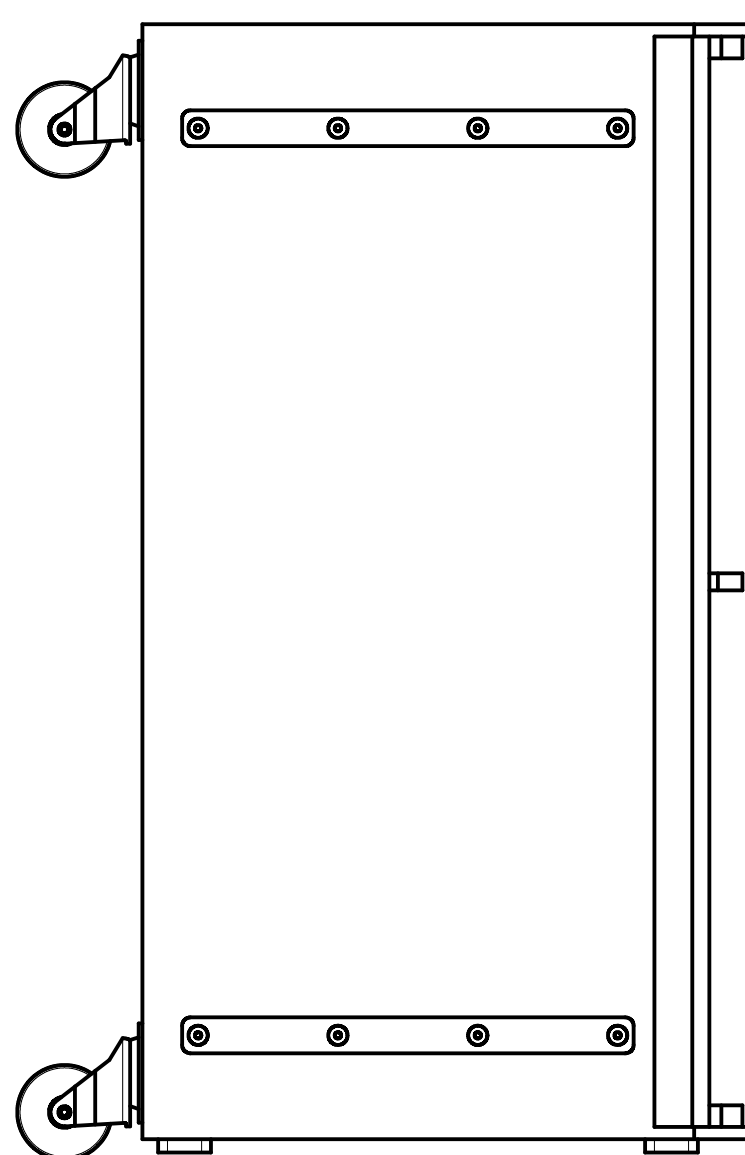
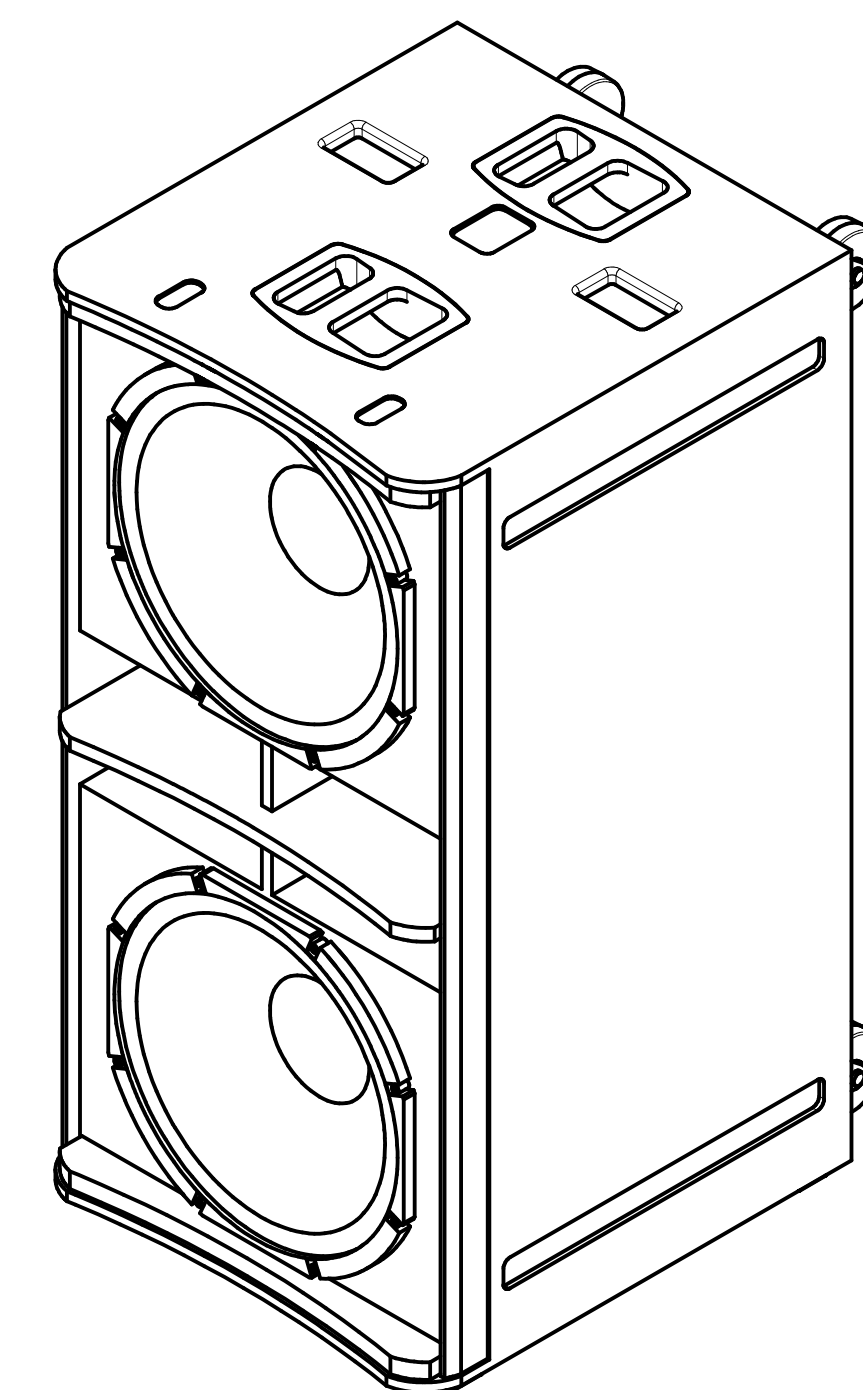
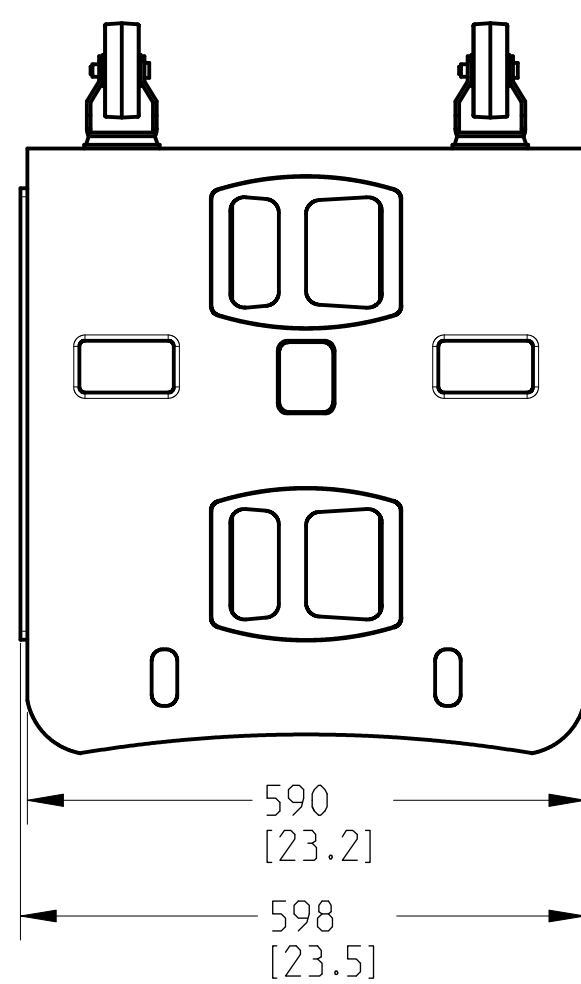
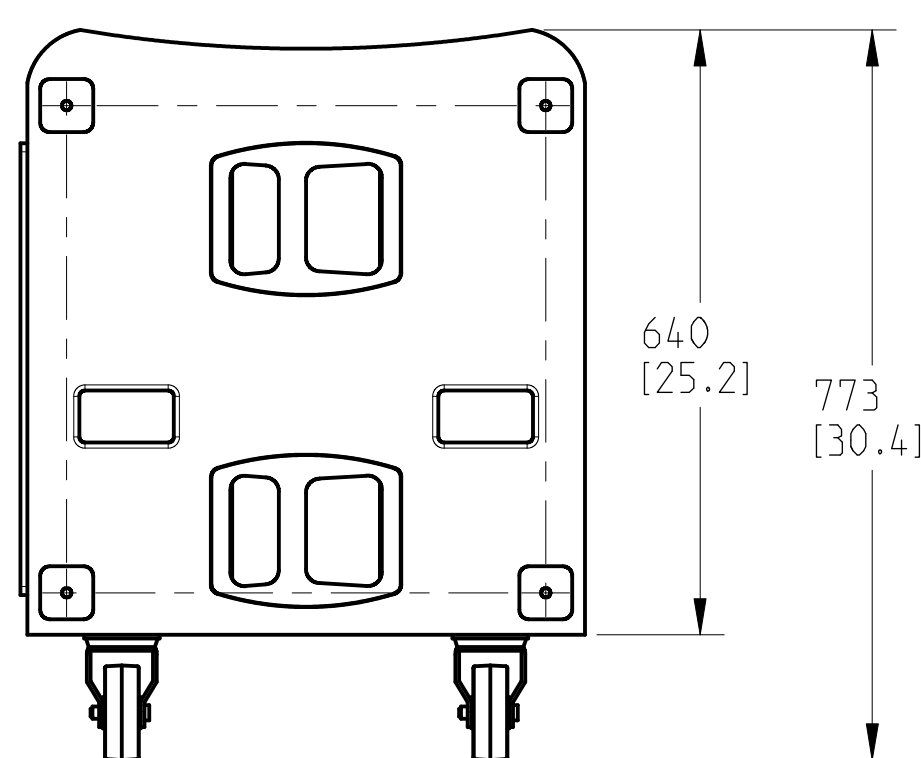


THIS DOCUMENT CONTAINS PROPRIETARY INFORMATION WHICH IS THE PROPERTY OF QSC, LLC. THAT MAY NOT BE DISCLOSED, REPRODUCED OR USED WITHOUT EXPRESS WRITTEN CONSENT FROM QSC, LLC.

REVISIONS			
REV	DESCRIPTION	BY	DATE
A	RELEASE FOR SALES AND MARKETING	ES	16-OCT-17



REAR VIEW



5. DIMENSIONS ARE IN MILLIMETERS [INCH].
4. GRILLE NOT SHOWN FOR CLARITY.
3. PARTS ARE SYMMETRICAL ABOUT CENTER LINES UNLESS OTHERWISE NOTED.
2. TOLERANCES (MM): X ± 5, ANGLES: ± 1°.
1. NET WEIGHT APPROXIMATELY 83 KG [183 LBS].

NOTE: UNLESS OTHERWISE SPECIFIED.

UNLESS OTHERWISE SPECIFIED, DIMENSIONS IN MILLIMETERS (IN). TOLERANCES ARE: DECIMALS .XX±.02 ANGLES ± 1/2 DECURR EDGES .25 (1.01) R MAX	DESIGNER	QSC	QSC, LLC 1675 MACARTHUR BOULEVARD COSTA MESA, CA 92626
	ENGINEER		
MATERIAL	TECHNICAL DIRECTOR	FINISHED, LOUDSPEAKER, E218SW -BK, 18" SUBWOOFER	
FINISH	MANUFACTURING ENGINEER		
	DRAWING INFO: FG-901155-2D.A.3	SIZE D	CAGE CODE 00PW4
	MODEL INFO: FG-901155-3D.A.3	DRAWING NO. FG-901155-2D	REV A
		SCALE: 0.125	DO NOT SCALE DRAWING SHEET 1 OF 1