



E115 15-inch Two-Way Passive Loudspeaker

KEY FEATURES

- High output, professional quality sound with 500 W continuous power
- E Series Entertainment System – Advanced digital signal processing tunings and options using QSC GXD, PLD amplifiers or TouchMix™ digital mixers
- E Series Entertainment System DSP Tunings are now available for PLD and GXD processing amplifiers
- Titanium diaphragm for high fidelity and long life
- Rugged tour-grade textured paint
- Foam-lined perforated steel grille
- Dual-angle pole socket
- Optional accessories include: transport covers, 4-inch subwoofer caster kit, U-style yoke, M10 eyebolt kit for the E112, E115 and E215, and the M8 eyebolt kit for the E110



E115

Entertainment Venue • House of Worship • Rental/Production Mobile Performers

The E115 is a trapezoidal, two-way loudspeaker offering robust construction, trusted reliability and overall sonic performance beyond expectations. Featuring a 15-inch die-cast aluminum frame woofer with a large 3.5-inch voice coil that can handle 500 W of continuous power, it is intended for use when high-power and authoritative low-end are needed from a full-range loudspeaker. A large format 2.8" compression driver attached to the 75° DMT waveguide assures that even distant listeners will be well covered.

E Series Loudspeakers

The E Series is a range of passive loudspeakers offering robust construction, trusted reliability and overall sonic performance beyond expectations. Intended for sound reinforcement in entertainment applications, including live performance, DJ and dance music, karaoke and event production, E Series loudspeakers will deliver outstanding results. Building on QSC's proven "Systems" methodology, the E Series loudspeakers' performance is further enhanced when paired with QSC's GXD or PLD amplifiers or with a QSC TouchMix digital mixer, and taking advantage of the on-board DSP and factory-tuned presets. These presets support a variety of applications including live sound reinforcement (with and without subwoofers), stage monitoring, dance music and karaoke.

E Series consists of six models constructed of rugged plywood and coated in black, textured paint. Heavy-duty grilles lined with foam provide protection for the woofers and an elegant appearance. E110, E112 and E115 models are equipped with an all metal, dual-angle, 35 mm socket that allows the speaker to be mounted vertically on a pole or angled down by 10° to improve audience coverage and reduce rear wall reflections. Multiple mounting options using E Series Yoke or eyebolts are supported. Input connections include dual NL4 as well as screw terminal receptacles. Additionally, E215 and E218sw models feature ergonomic, aluminum handles to ease portability.

E115 Specifications

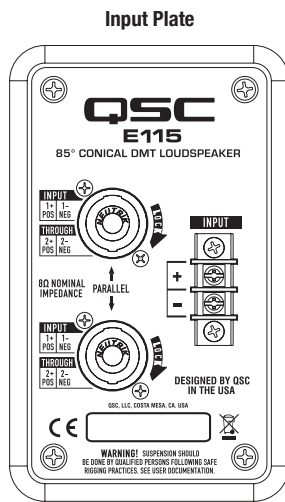
E115	
Configuration	1 x 15-inch, 2-way, non-powered
Frequency Response (-6 dB)	55 Hz - 20 KHz
Frequency Range (-10 dB)	43 Hz - 20 kHz
Power Capacity ¹ : Continuous/Peak	500 W / 2000 W
Sensitivity	97 dB, 1 w @ 1 m
Coverage Angle	75° conical DMT
Output ² (Peak SPL @ 1m)	130 dB
Drivers	
LF	381 mm (15-inch) driver with 89 mm (3.5-inch) voice coil
HF	38 mm (1.5-inch) exit, 71 mm (2.8-inch) voice coil, compression driver
Nominal Impedance	8 Ω
Cross-over	Full-range only, 1.55 kHz
Input Connectors	2 x NL4 1 x barrier strip
Enclosure	Trapezoidal, plywood, black texture paint finish. Two side mounted handles. Perforated, powdercoated steel grille with foam lining.
Dimensions	16.5 x 28.2 x 17.5 in 420 x 716 x 445 mm
Net Weight	31 kg / 68 lb
Shipping Weight	34 kg / 75 lb

¹ Power that the device can withstand for two hours without permanent change in acoustical, mechanical, or electrical characteristics, greater than 10%, using IEC60268 noise based on nominal impedance in the cabinet with crossover, full range 30 Hz 12 dB/octave.

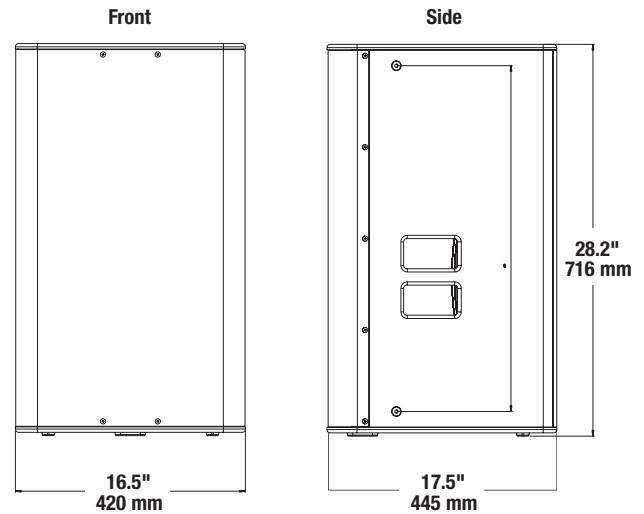
² With QSC Processing.

Specifications subject to change without notice.

E115 Details



E115 Dimensions



Block Diagram

