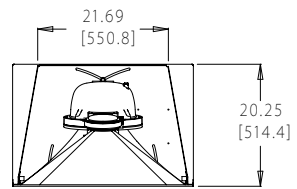
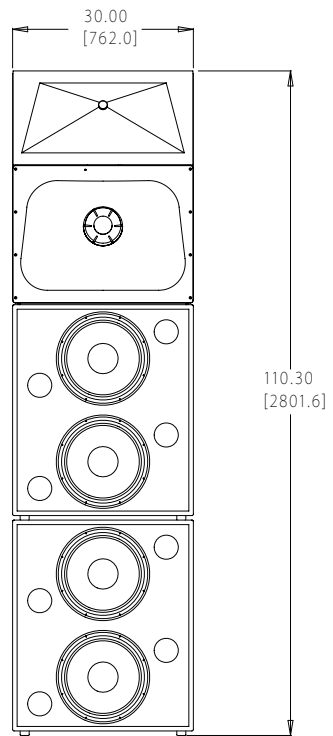


THIS DOCUMENT CONTAINS PROPRIETARY INFORMATION.
 WHICH IS THE PROPERTY OF QSC AUDIO PRODUCTS, INC.
 ANY REPRODUCTION OR DISSEMINATION OF THIS DOCUMENT
 WITHOUT EXPRESS WRITTEN PERMISSION IS PROHIBITED.

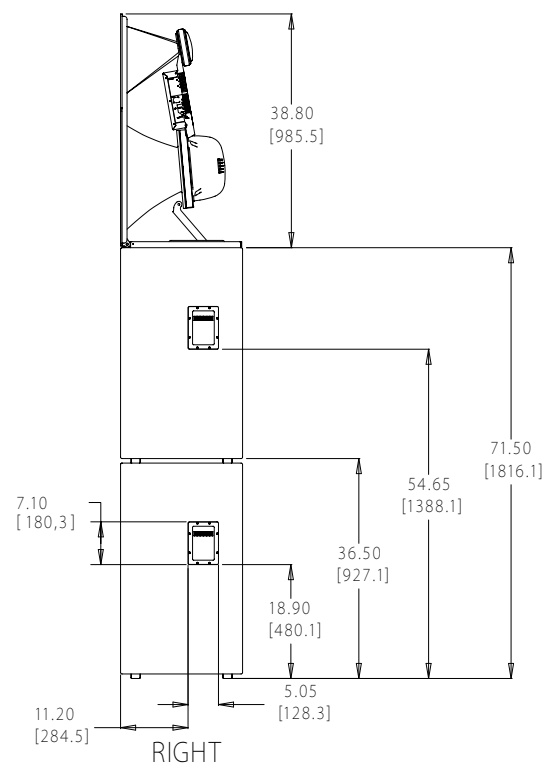
REVISIONS				
REV	DESCRIPTION	EFF DATE	CHK	APPROVED DATE
A	RELEASE PER ECO 7444 JD	09-22-06		B.H.



TOP



FRONT



RIGHT

2. TOLERANCES (INCHES): .XX ± .13, ANGLES: ± 1°.
 1. NET WEIGHT APPROX. 429 LBS (195 KG).
 NOTE: UNLESS OTHERWISE SPECIFIED

UNLESS OTHERWISE SPECIFIED DIMENSIONS ARE IN INCHES. TOLERANCES ARE: DECIMALS DECIMALS ANGLES .XX ±.01 .XXX ±.010 ±1/2 DEBURR EDGES .010 R MAX	CONTRACT NO.		QSC QSC AUDIO PRODUCTS, INC. 1675 MACARTHUR BOULEVARD COSTA MESA, CA 92626
	APPROVALS	DATE	
	DRAWN J. DELARM	19-Sep-06	
	CHECKED B. HAWKINS	19-Sep-06	
MATERIAL NONE	ISSUED A. RUTKIN	19-Sep-06	SPEAKER, FINISHED, SC-443
FINISH NONE	D. DELARM	19-Sep-06	
DO NOT SCALE DRAWING	DCS_4X15_3-WAY.main.1.2+	SCALE 0.075	SIZE C CAGE CODE 00PW4 DWG NO. RD-000403-01 SHEET 1 of 1

DWG NO. RD-000403-01
 1
 A