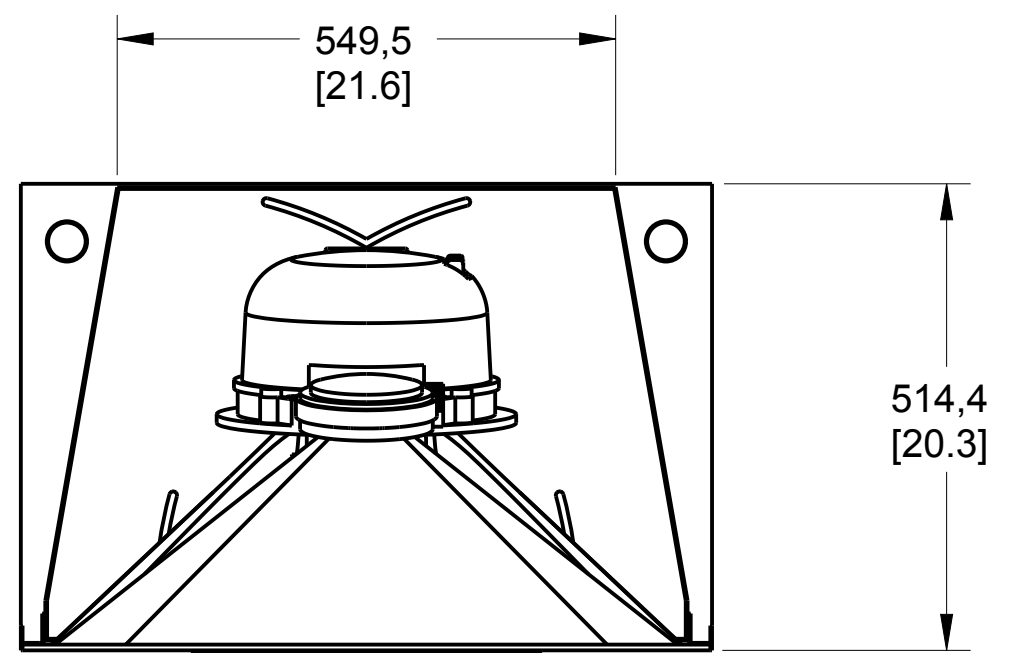
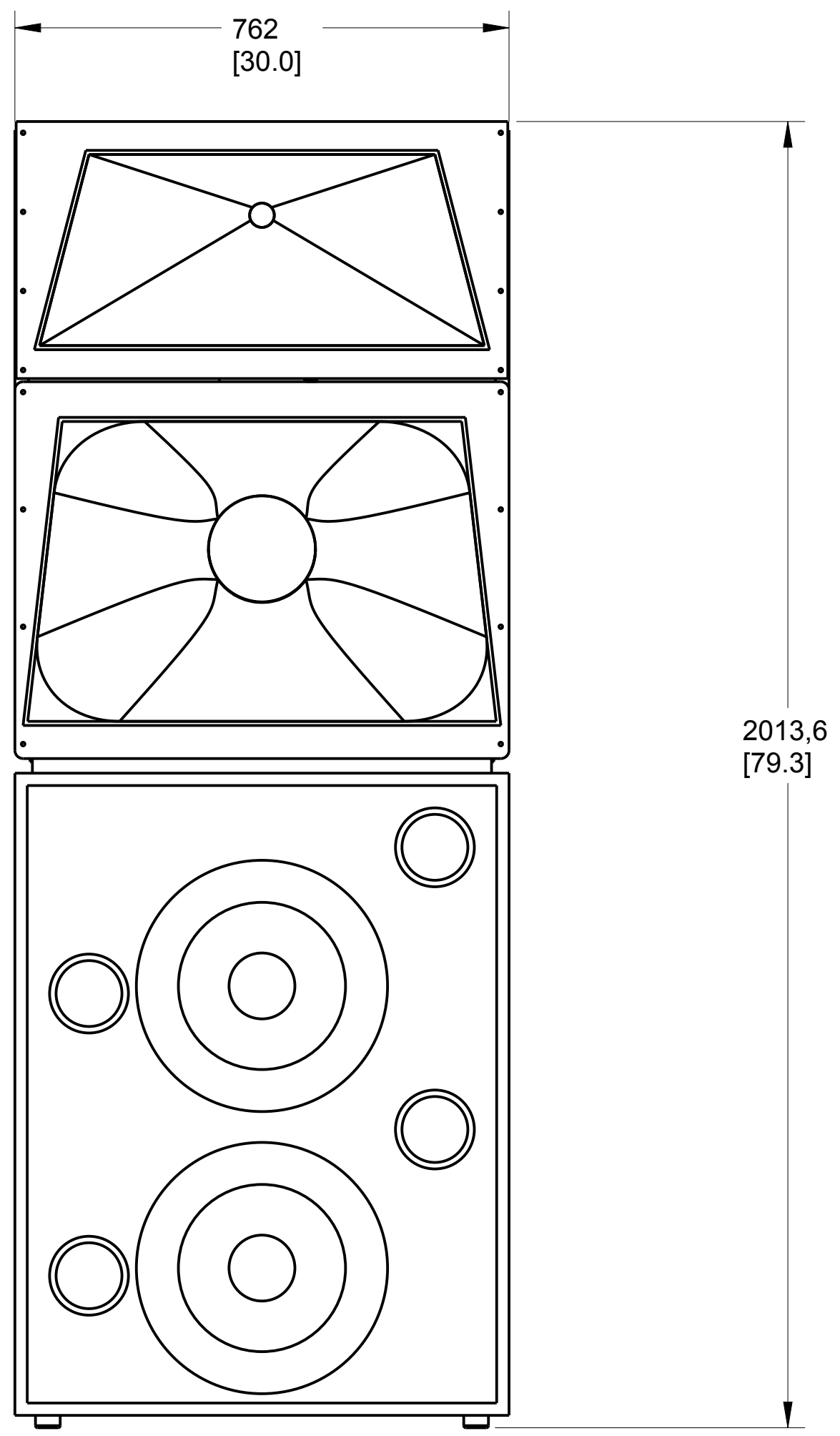


THIS DOCUMENT CONTAINS PROPRIETARY INFORMATION WHICH IS THE PROPERTY OF QSC, LLC. THAT MAY NOT BE DISCLOSED, REPRODUCED OR USED WITHOUT EXPRESS WRITTEN CONSENT FROM QSC, LLC.

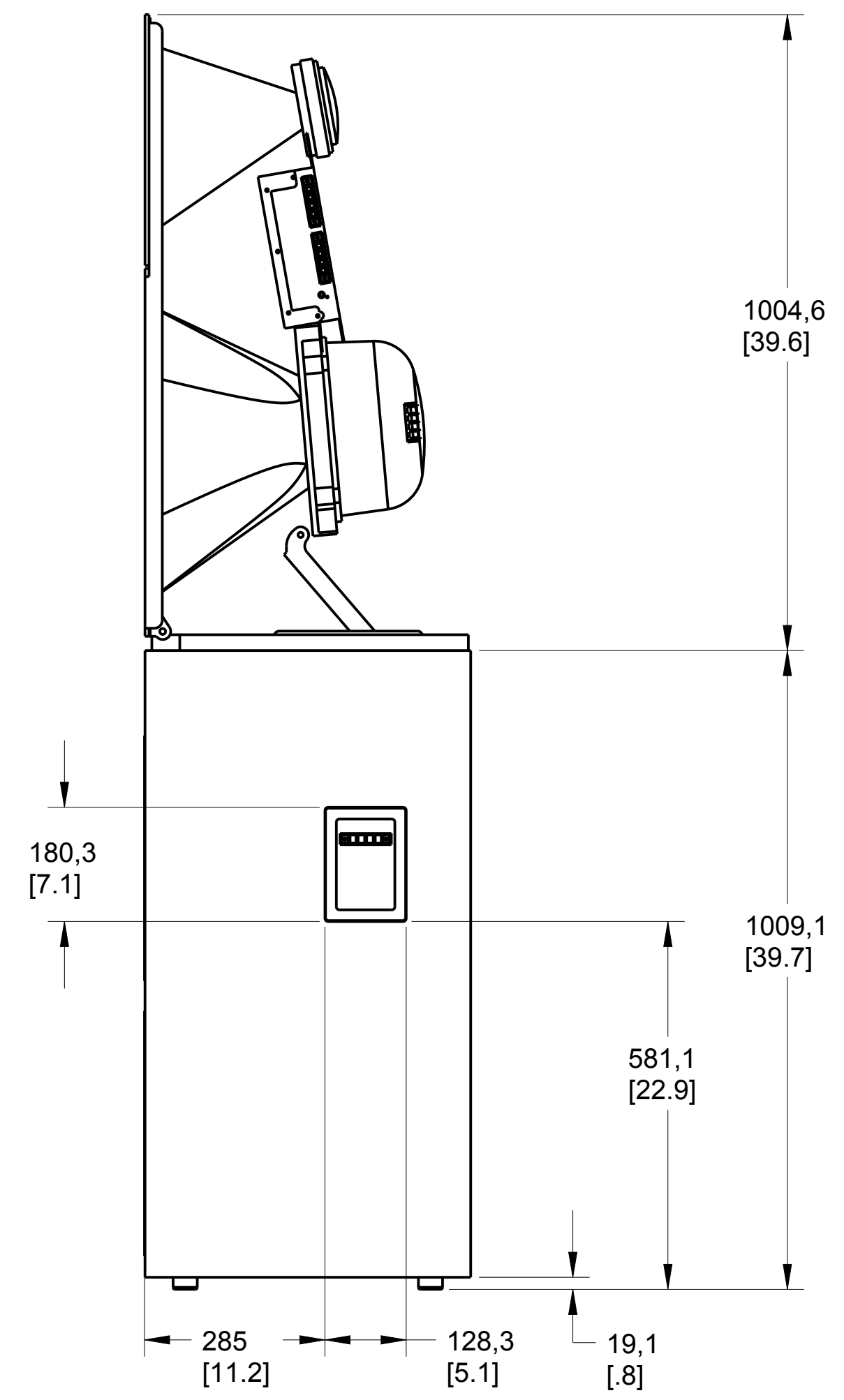
REVISIONS			
REV	DESCRIPTION	BY	DATE
A	RELEASE FOR SALES AND MARKETING	SS	3-OCT-16



TOP



FRONT



RIGHT

3. DIMENSIONS ARE IN MILLIMETERS [INCH].  
 2. TOLERANCES (MM): X± 3, ANGLES: ± 1°.  
 1. NET WEIGHT APPROX. 256 LBS (116 KG)

NOTE: UNLESS OTHERWISE SPECIFIED

UNLESS OTHERWISE SPECIFIED DIMENSIONS IN MILLIMETERS (IN) TOLERANCES ARE: DECIMALS    DECIMALS    ANGLES X± .5(02)    X±. 25(01)    ± 1/2 DEBURR EDGES .25 (010) R MAX	DESIGNER	QSC, LLC 1675 MACARTHUR BOULEVARD COSTA MESA, CA 92626	<b>SPEAKER, FINISHED,          SC-324, SC-424,          SC-424-8, SC-424-8F</b>	SIZE	CAGE CODE	DRAWING NO.	REV	
	ENGINEER			D	00PW4	DC-SC-324-SC-424-2D	A	
	TECHNICAL DIRECTOR			SCALE	0.120	DO NOT SCALE DRAWING	SHEET	1 OF 1
	MANUFACTURING ENGINEER			DRAWING INFO: DC-SC-324-SC-424-2D.		MODEL INFO: DC-SC-324-SC-424-3D.A.1		