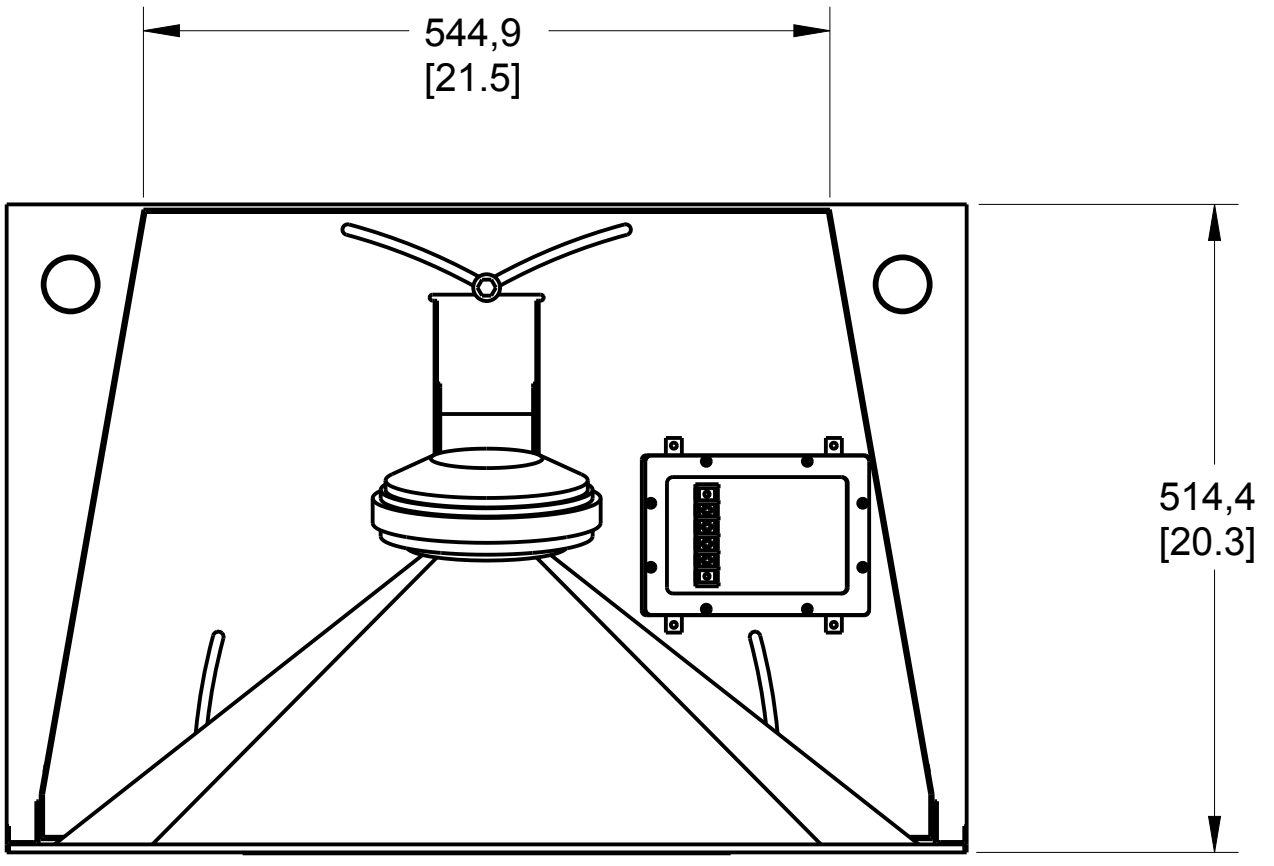
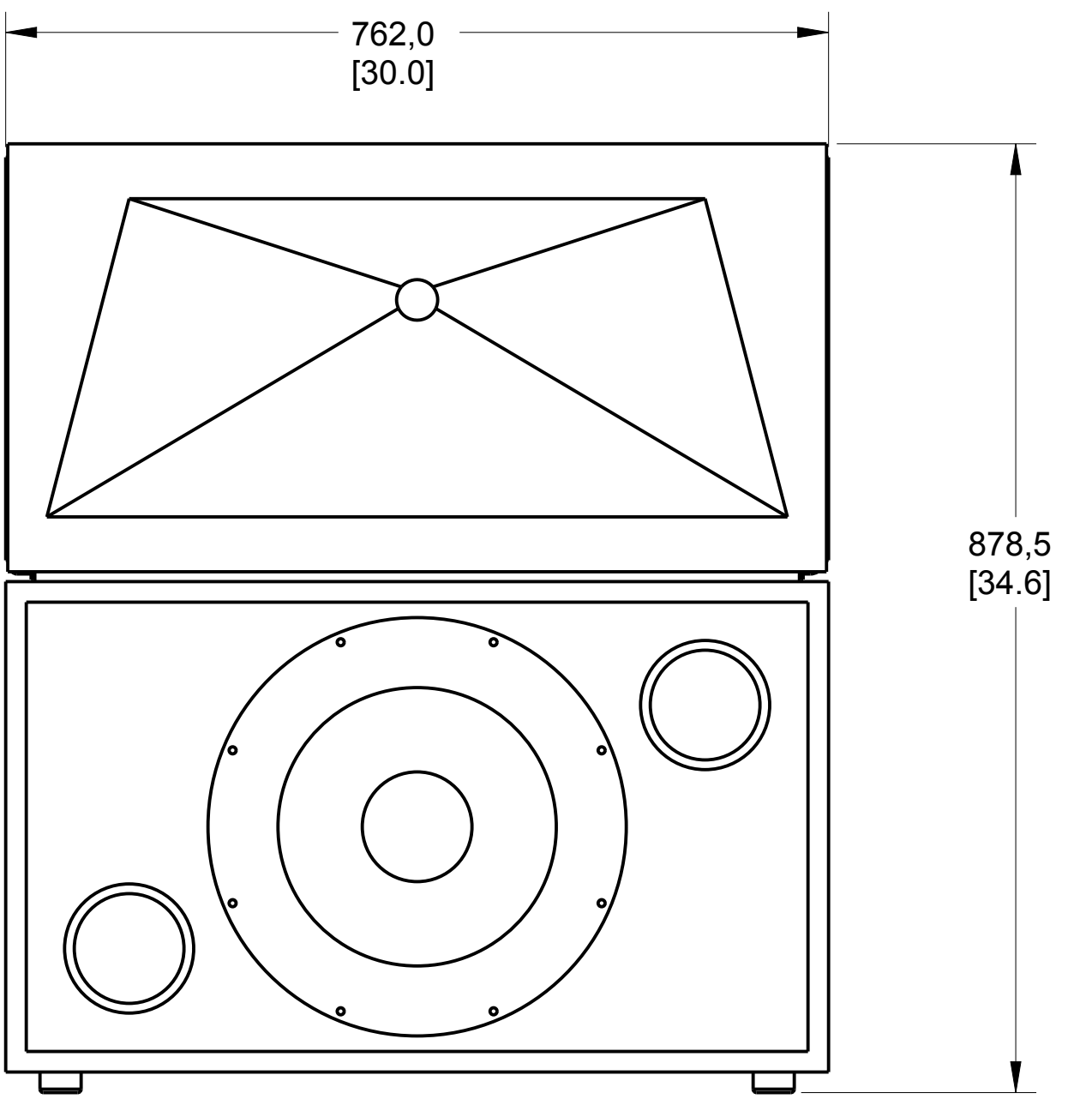


THIS DOCUMENT CONTAINS PROPRIETARY INFORMATION WHICH IS THE PROPERTY OF QSC, LLC. THAT MAY NOT BE DISCLOSED, REPRODUCED OR USED WITHOUT EXPRESS WRITTEN CONSENT FROM QSC, LLC.

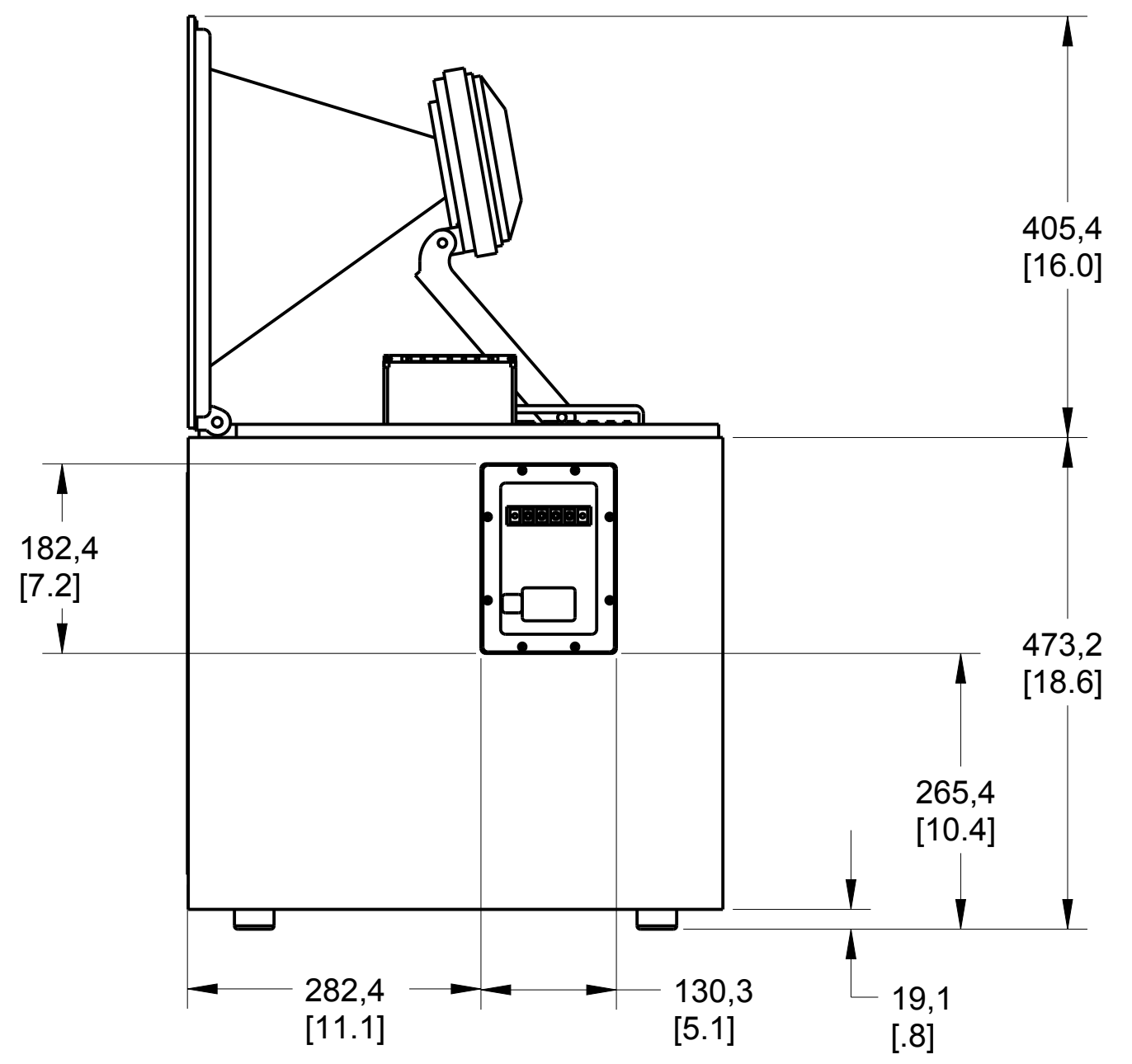
REVISIONS			
REV	DESCRIPTION	BY	DATE
A	RELEASE FOR SALES AND MAERKETING	SS	5-OCT-16



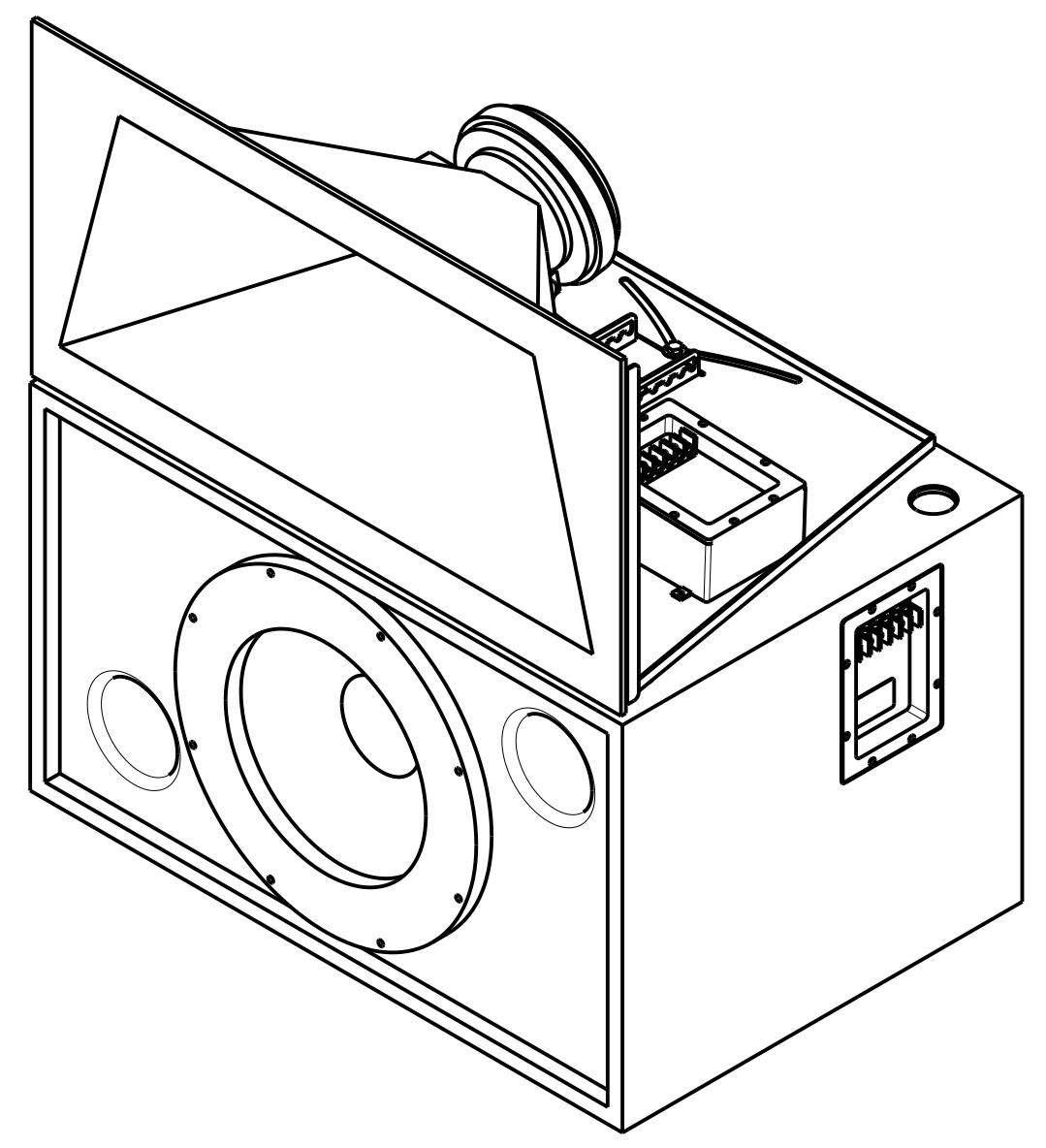
TOP



FRONT



RIGHT



SCALE 0.150

3. DIMENSIONS ARE IN MILLIMETERS [INCH].
 2. TOLERANCES (MM): X ± 3. ANGLES: ± 1°.
 1. NET WEIGHT APPROX. 123 LBS (56.4 KG)

NOTE: UNLESS OTHERWISE SPECIFIED

UNLESS OTHERWISE SPECIFIED DIMENSIONS IN MILLIMETERS (IN) TOLERANCES ARE: DECIMALS DECIMALS ANGLES X± .5[02] XX± .25[010] ± 1/2 DEBURR EDGES .25 [010] R MAX	DESIGNER	QSC, LLC 1675 MACARTHUR BOULEVARD COSTA MESA, CA 92626	SPEAKER, FINISHED, SC-312XC, SC-412C	SIZE D CAGE CODE 00PW4 DRAWING NO. RD-000401-2D REV A
	ENGINEER			
MATERIAL	TECHNICAL DIRECTOR	SCALE: 0.167	DO NOT SCALE DRAWING	SHEET 1 OF 1
FINISH	MANUFACTURING ENGINEER			