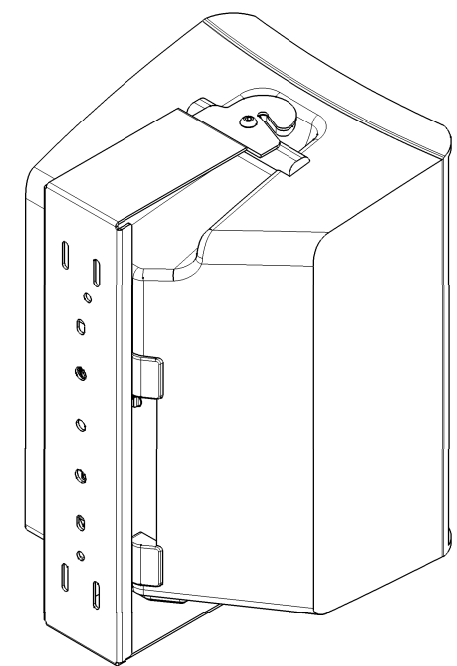
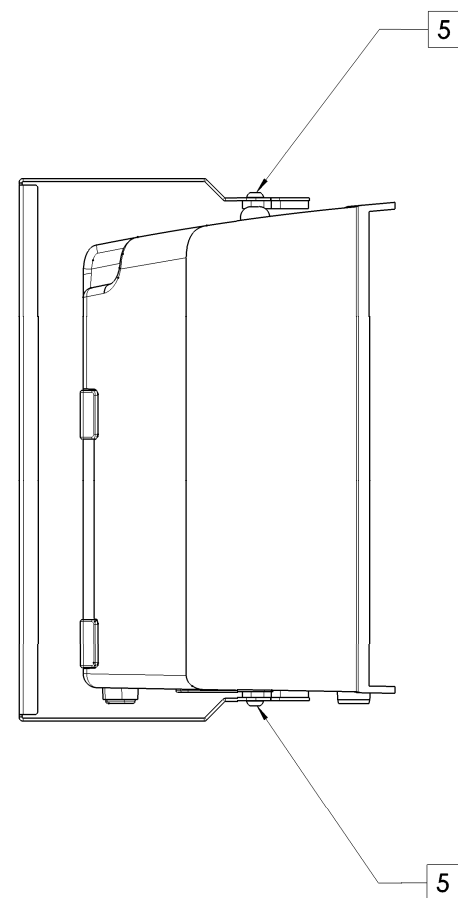
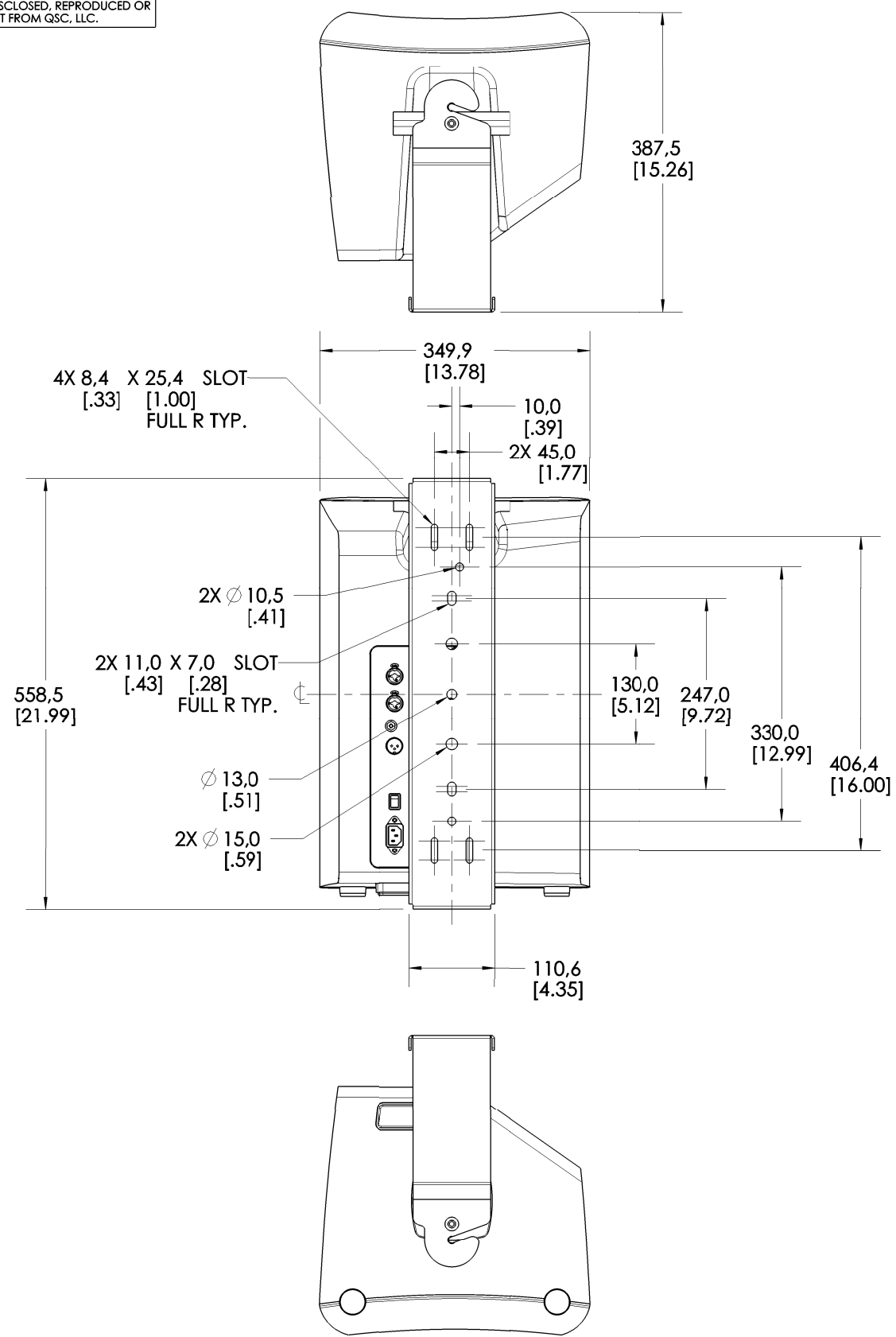


THIS DOCUMENT CONTAINS PROPRIETARY INFORMATION WHICH IS THE PROPERTY OF QSC, LLC, THAT MAY NOT BE DISCLOSED, REPRODUCED OR USED WITHOUT THE EXPRESS WRITTEN CONSENT FROM QSC, LLC.

REVISION		BY	DATE
REV	DESCRIPTION	SS	27-SEPT-18
A	INITAL RELEASE		



- 6. PARTS ARE SYMMETRICAL ABOUT CENTER LINES UNLESS OTHERWISE NOTED.
- 5 YOKE MOUNT ATTACHMENT POINT, M8 THREAD, 2 PLACES.
- 4. THE SPEAKER IS SHOWN FOR CLARITY, SPEAKER AND MOUNTING YOKE ARE SOLD SEPARATLY.
- 3. DIMENSIONS ARE IN MILLIMETERS [INCH].
- 2. TOLERANCES (MM): X ± 3, ANGLES: ± 1°.
- 1. NET WEIGHT APPROXIMATLY; 6.9 LBS [3.1 KG] (YOKE), 37.2 LBS [16.9 KG] (SPEAKER AND YOKE)

NOTES: UNLESS OTHERWISE SPECIFIED

UNLESS OTHERWISE SPECIFIED DIMENSIONS ARE IN MM [IN]		CAD GENERATED DRAWING DO NOT MANUALLY UPDATE		QSC QSC, LLC 1675 MACARTHUR BOULEVARD COSTA MESA, CA 92626 USA	
TOLERANCES ARE:		APPROVALS		FINISHED GOOD, ACCESSORY, CP12YM-BK, CP12 YOKE MOUNT	
DECIMALS	ANGLES	DRAWN BY S. STASIAK			
.X ± 3 [1.2]	± 1°	MECH ENGINEER T. AMUNSDON			
MATERIAL N/A		TECH DIRECTOR R. VAUCHER			
FINISH N/A		MFG ENGINEER C. YOMOVIDA		SIZE: B CAGE CODE: 00PW4 DWG. NO.: FG-901266-2D REV: A	
DO NOT SCALE DRAWING		PROJECTION SYMBOL		SCALE: 1:8 CAD FILE: FG-901266-2D.A.3 SHEET: 1 OF 1	