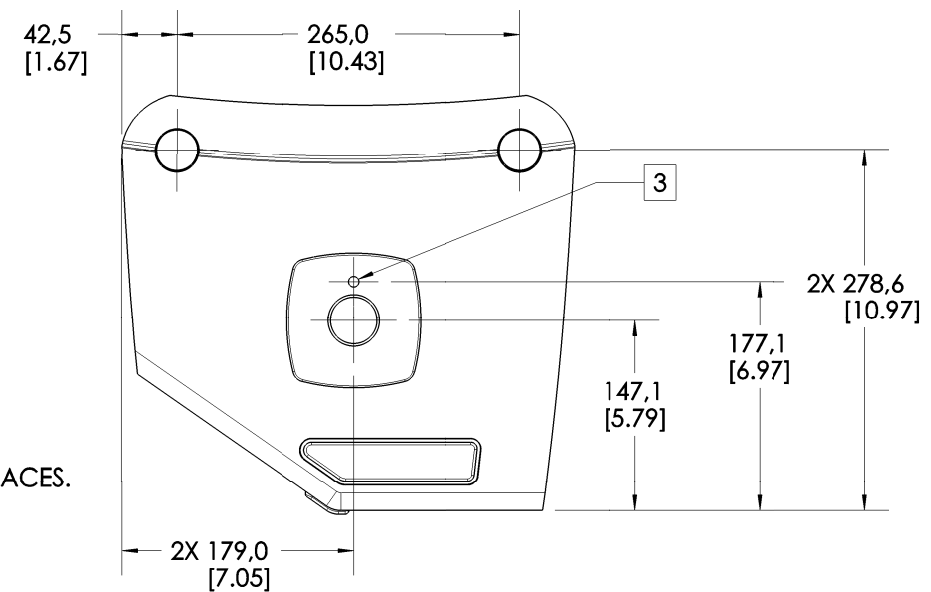
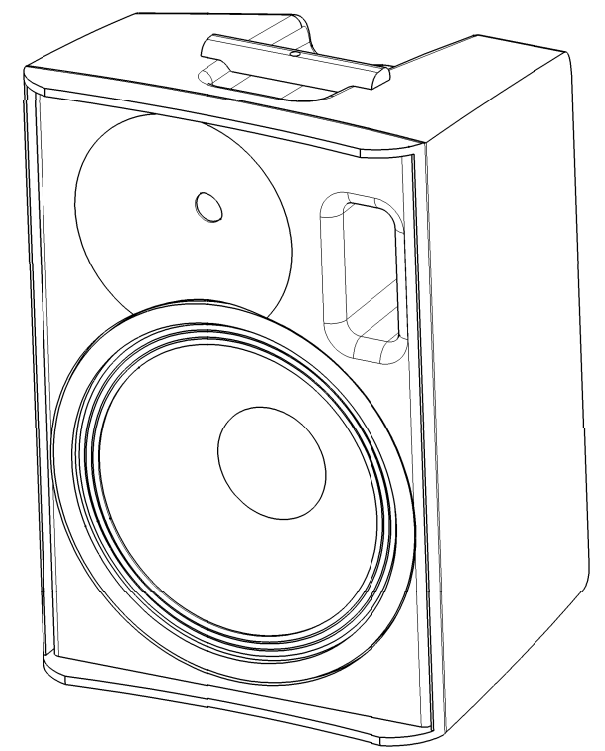
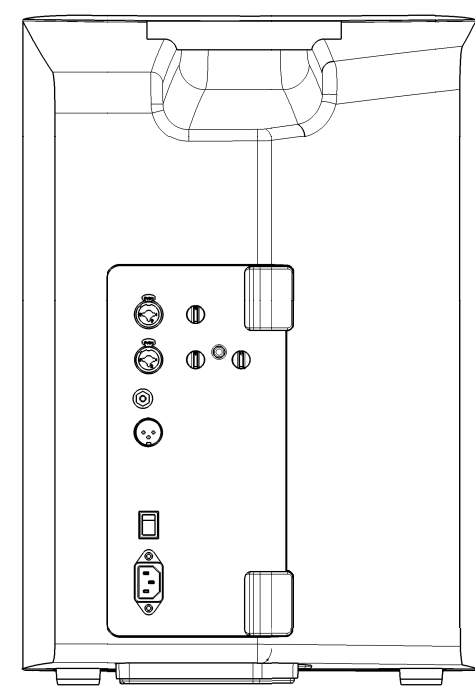
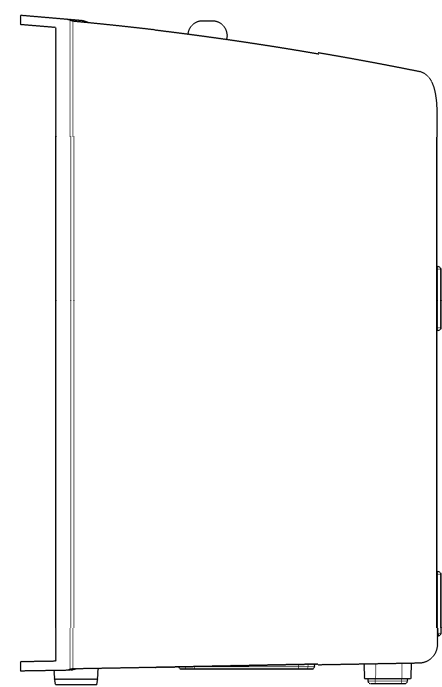
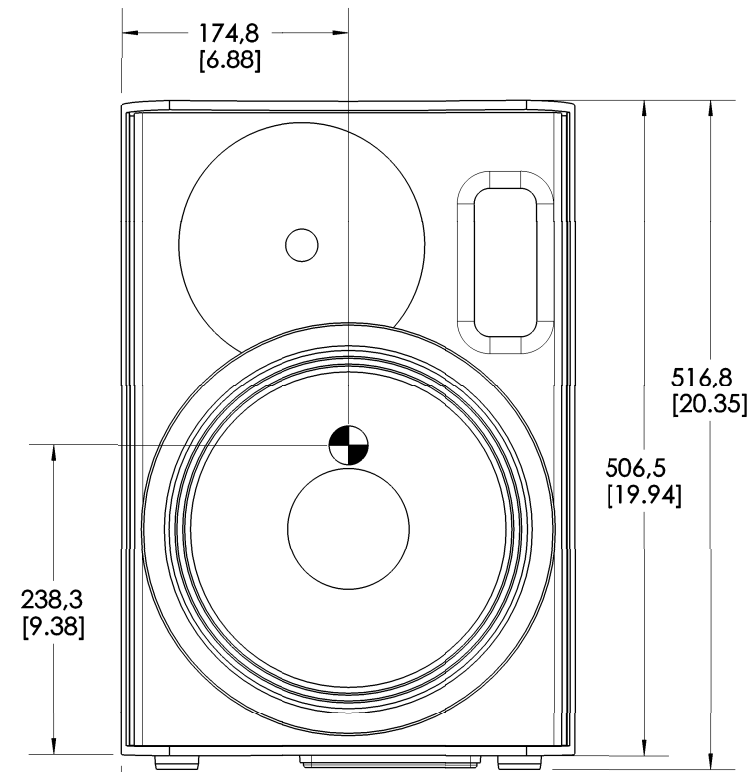
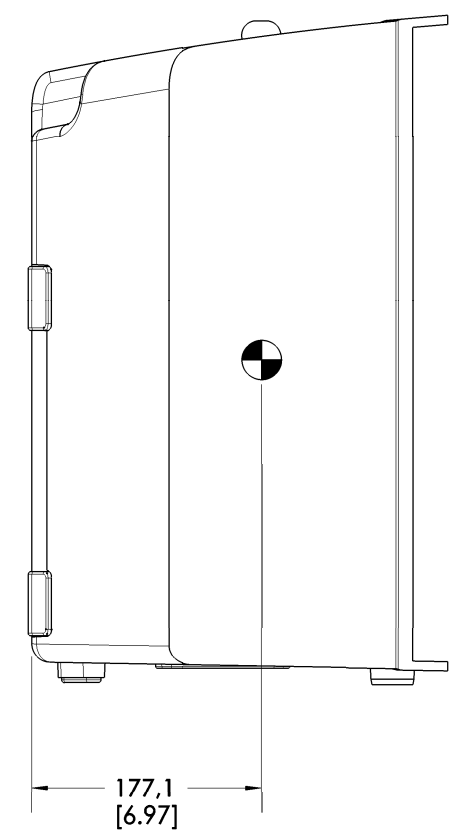
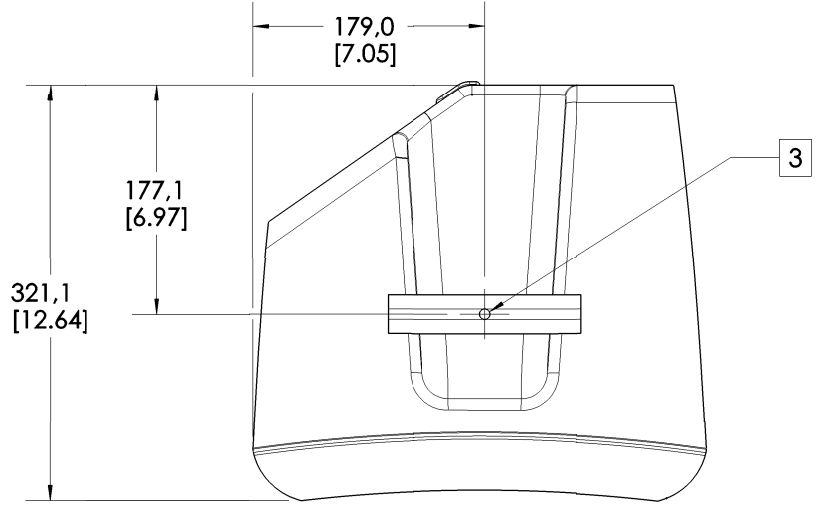


THIS DOCUMENT CONTAINS PROPRIETARY INFORMATION WHICH IS THE PROPERTY OF QSC, LLC. THAT MAY NOT BE DISCLOSED, REPRODUCED OR USED WITHOUT THE EXPRESS WRITTEN CONSENT FROM QSC, LLC.

REVISION		BY	DATE
REV	DESCRIPTION		
A	INITIAL RELEASE	SS	26-SEPT-18
A1	CORRECT CG LOCATION	SS	8-OCT-18



- 6. GRILLE NOT SHOWN FOR CLARITY.
- 5. DIMENSIONS ARE IN MILLIMETERS [INCH].
- 4. SYMBOL INDICATES CENTER OF BALANCE.
- 3 Yoke mount attachment point, M8 thread, 2 places.
- 2. TOLERANCES (MM): $X \pm 3$, ANGLES: $\pm 1^\circ$.
- 1. NET WEIGHT APPROX. 30.3 LBS [13.7 KG].

NOTES: UNLESS OTHERWISE SPECIFIED

UNLESS OTHERWISE SPECIFIED DIMENSIONS ARE IN MM [IN] TOLERANCES ARE: DECIMALS: .X ± 3 [.12] ANGLES: ±1°		CAD GENERATED DRAWING DO NOT MANUALLY UPDATE		QSC, LLC 1675 MACARTHUR BOULEVARD COSTA MESA, CA 92626 USA	
MATERIAL: N/A		APPROVALS		DRAWN BY: S. STASIAK MECH ENGINEER: T. AMUNSDON TECH DIRECTOR: R. VAUCHER MFG ENGINEER: C. YOMOYIDA	
FINISH: N/A		DO NOT SCALE DRAWING		SIZE: B CAGE CODE: 00PW4 DWG. NO.: FG-901168-2D SCALE: 1:6 CAD FILE: FG-901168-2D.A1.1	
PROJECTION SYMBOL:				REV: A1 SHEET: 1 OF 1	