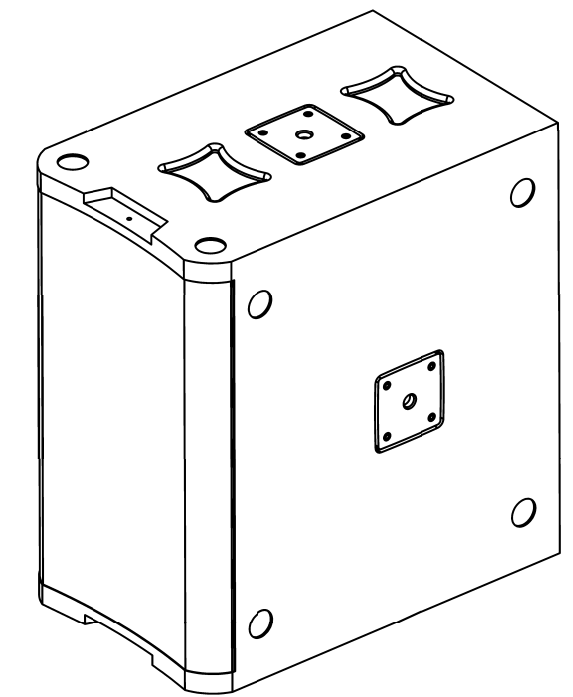
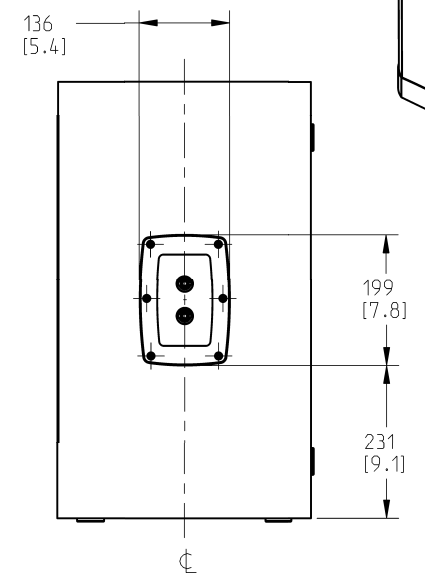
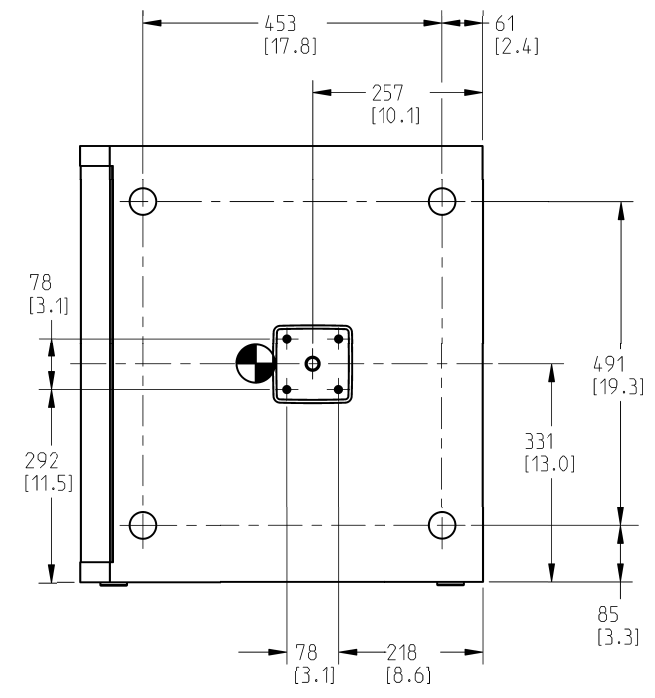
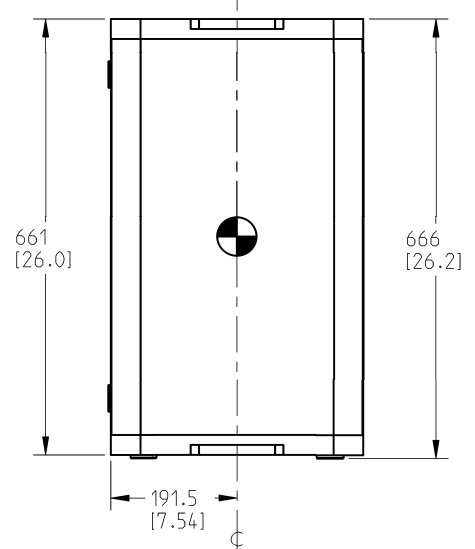
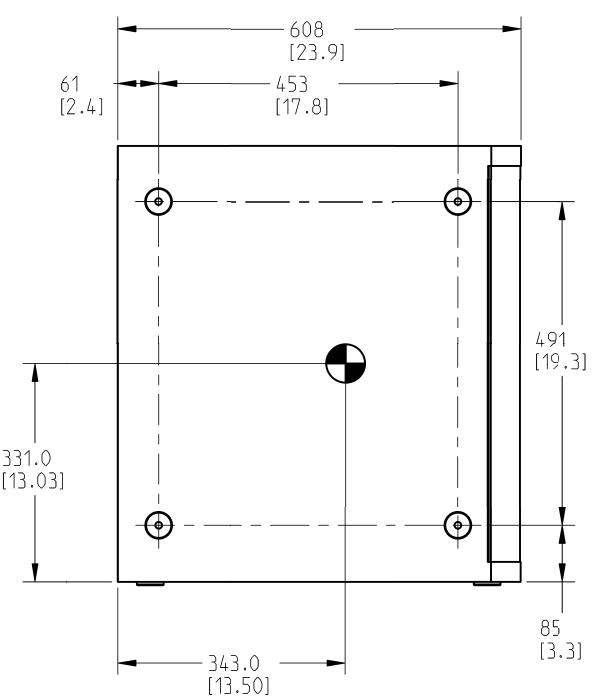
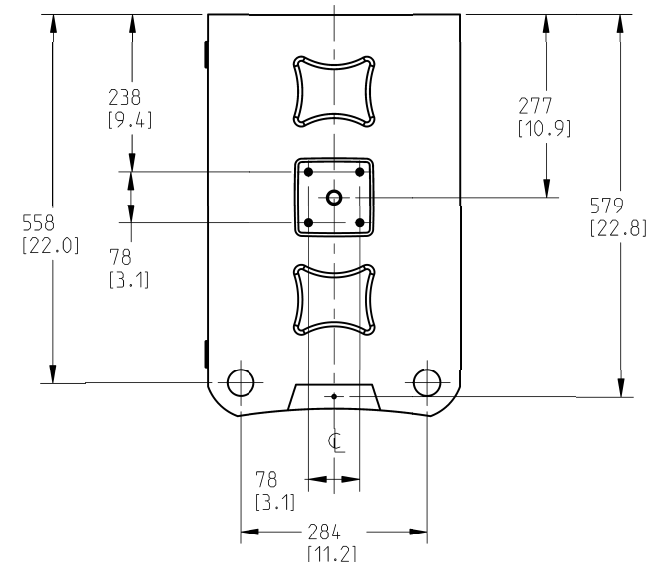
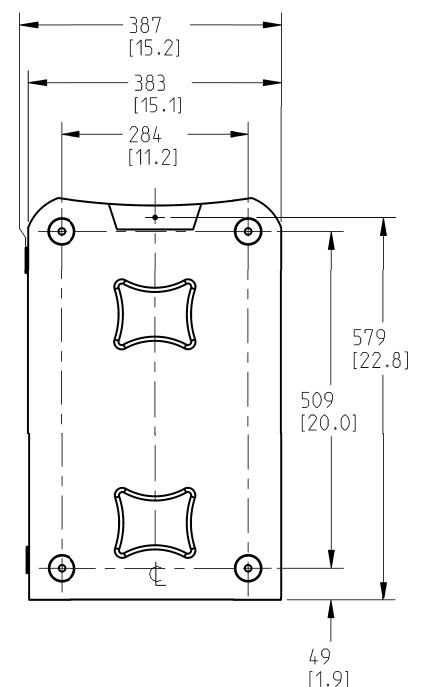


THIS DOCUMENT CONTAINS PROPRIETARY INFORMATION WHICH IS THE PROPERTY OF QSC AUDIO PRODUCTS. THAT MAY NOT BE DISCLOSED, REPRODUCED OR USED WITHOUT EXPRESS WRITTEN CONSENT FROM QSC AUDIO PRODUCTS.

REVISIONS			
REV	DESCRIPTION	BY	DATE
B	RELEASE FOR SALES AND MARKETING	AA	02-OCT-15



SCALE 0.200



- 5. PARTS ARE SYMMETRICAL ABOUT CENTER LINES UNLESS OTHERWISE NOTED.
- 4. SYMBOL  $\bullet$  INDICATES CENTER OF BALANCE.
- 3. SYMBOL  $\odot$  INDICATES POLE MOUNT LOCATION.
- 2. TOLERANCES (MM): X  $\pm$  5, ANGLES:  $\pm$  1°.
- 1. NET WEIGHT APPROX.

NOTE: UNLESS OTHERWISE SPECIFIED

UNLESS OTHERWISE SPECIFIED DIMENSIONS IN MILLIMETERS (IN) TOLERANCES ARE: DECIMALS .XX $\pm$ .021 FRACTIONS .XX $\pm$ .251.040 ANGLES $\pm$ 1/2 DEBURR EDGES .25 (1.010) R MAX	DESIGNER ENGINEERING SERVICES	QSC AUDIO PRODUCTS, LLC 1675 MACARTHUR BOULEVARD COSTA MESA, CA 92626
	ENGINEER	
MATERIAL	TECHNICAL DIRECTOR	SPEAKER, FINISHED, AP-212-SW
FINISH	MANUFACTURING ENGINEER	
SIZE D	DRAWING INFO: FG-012120-2D.B.2	SIZE D CAGE CODE 00PW4 DRAWING NO. FG-012120-2D REV B
SCALE: 0.175	MODEL INFO: FG-012120-3D.B.2	DO NOT SCALE DRAWING SHEET 1 OF 1