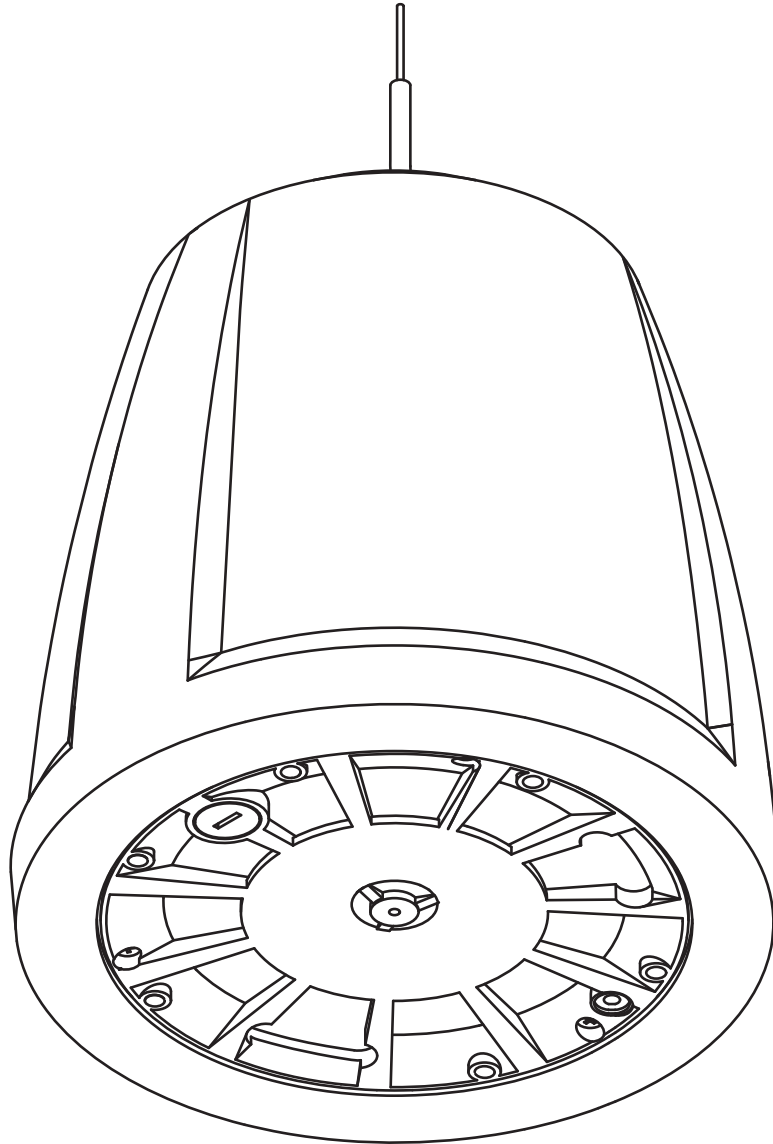


AcousticDesign (AD)

QSC™

Quick Start Guide

Model: AD-P4T



1001014-01




EXPLANATION OF SYMBOLS


The term **“WARNING”** indicates instructions regarding personal safety. Failure to follow them may result in bodily injury or death.

The term **“CAUTION”** indicates instructions regarding possible damage to physical equipment. Failure to follow them may result in equipment damage to equipment that may not be covered under the warranty.

The term **“IMPORTANT”** indicates instructions or information that are vital to the successful completion of the procedure.

The term **“NOTE”** indicates additional useful information.

 The lightning flash with arrowhead symbol in a triangle alerts the user to the presence of uninsulated dangerous voltage within the product's enclosure that may constitute a risk of electric shock to humans.

 The exclamation point within a triangle alerts the user to important safety, operating, and maintenance instructions in this manual.



IMPORTANT SAFETY INSTRUCTIONS

- Read these instructions and keep a copy for future reference.
- Strictly follow and heed all instructions and warnings.
- Consult a licensed and qualified professional engineer to devise and/or review an appropriate pendant mounting scheme.
- Do not use or submerge this loudspeaker product in or near water or liquids.
- Clean only with a dry cloth. Do not use any aerosol spray, cleaner, disinfectant or fumigant on, near, or into the loudspeaker product.
- Do not block any ventilation opening. Install in accordance with the manufacturer's instructions.
- Do not install the loudspeaker near any heat sources, such as radiators, heat registers, stoves, or other apparatus (including amplifiers).
- Do not use any attachments, accessories, mounts, or brackets that are not specified or approved by QSC, LLC.
- Refer all service to qualified personnel. Service is required if the hanging mechanism or loudspeaker have been damaged in any way, such as liquid having been spilled or objects have fallen into the loudspeaker or the loudspeaker has been exposed to rain or moisture, does not operate normally, or has been dropped.
- Observe all applicable local codes.
- Consult a licensed, professional engineer when any doubt or questions arise regarding a physical equipment installation.

Maintenance and Repair

Advanced technology—e.g., the use of modern materials and powerful electronics—requires specially adapted maintenance and repair methods. To avoid subsequent damage to the equipment, personal injury, and/or creation of additional safety hazards, have all maintenance or repair work on the equipment performed only by a QSC authorized service station or an authorized QSC International Distributor. QSC is not responsible for any injury, harm, or related damages that arise from any failure of the customer, owner, or user of the equipment to facilitate those repairs.

Warranty

For a copy of the QSC Limited Warranty, visit the QSC website at www.qsc.com

Para una copia de la Garantía Limitada de QSC, visite el sitio web de QSC, en www.qsc.com

Pour obtenir une copie de la garantie limitée de QSC, visitez le site de QSC à www.qsc.com

Besuchen Sie die Webseite von QSC (www.qsc.com) um eine Kopie der beschränkte Garantie von QSC zu erhalten.

如果您想要QSC有限保修的複印本，請造訪QSC音頻產品的網站www.qsc.com

Для получения копии ограниченной гарантии QSC посетите веб-сайт QSC Audio Products, расположенный по адресу www.qsc.com.

للحصول على نسخة من الضمان المحدود الخاص بـQSC، قمر بزيارة الموقع الإلكتروني لشركة QSC للمنتجات الصوتية على www.qsc.com

QSC限定保証の複製には、QCSのウェブサイトwww.qsc.comにアクセスしてください。

© 2016 QSC, LLC. All rights reserved. QSC and the QSC logo are registered trademarks of QSC, LLC in the U.S. Patent and Trademark office and other countries. All other trademarks are the property of their respective owners.

<http://patents.qsc.com>.

Suspend the Loudspeaker



WARNING! Do not attach the snap hook to the loudspeaker or any other load until the hanger cable has been anchored to a suitable structural member.

1. Insert the wire cable into the appropriate hole in the connector (see Figure 1). The connector's two holes are directional, so cable will only insert one way; if it will not go through, the cable is inserted into the wrong hole.
2. Loop the cable over the structural member where the loudspeaker is to hang. The structure must be capable of supporting at least 5x the weight of the loudspeaker—AD-P4T: 32.5 lb or 14.8 kg.

NOTE: Building codes in some jurisdictions may require higher safety factors.

3. Insert the cable through the other hole in the connector.
4. Adjust the length of the cable hang so the snap hook is at the desired height. To shorten the hang, simply pull the cable further through one or both holes in the connector (Figure 2). To lengthen the hang or to remove the cable from the structural member, insert the release key into the appropriate release key hole; this will unlock that hole in the connector and allow the cable to move in the other direction.

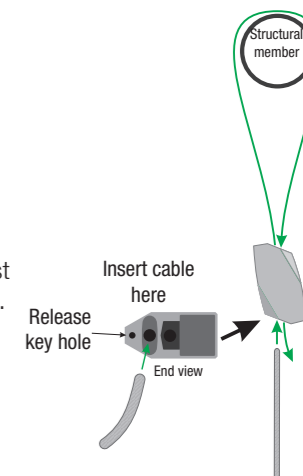


Figure 1



WARNING! Never insert the release key while there is a load on the hanger cable.

5. Attach the snap hook to the suspension tab on the loudspeaker (Figure 4). Make sure the safety latch on the hook closes fully with the loudspeaker attached before you transfer the weight of the loudspeaker to the cable.



WARNING! Install the system in accordance with local building codes and regulations. Some jurisdictions may require two suspension points.

Use a licensed contractor or professional engineer. QSC is not responsible for damages that result from negligent installation of any bracket, hanger, or loudspeaker.

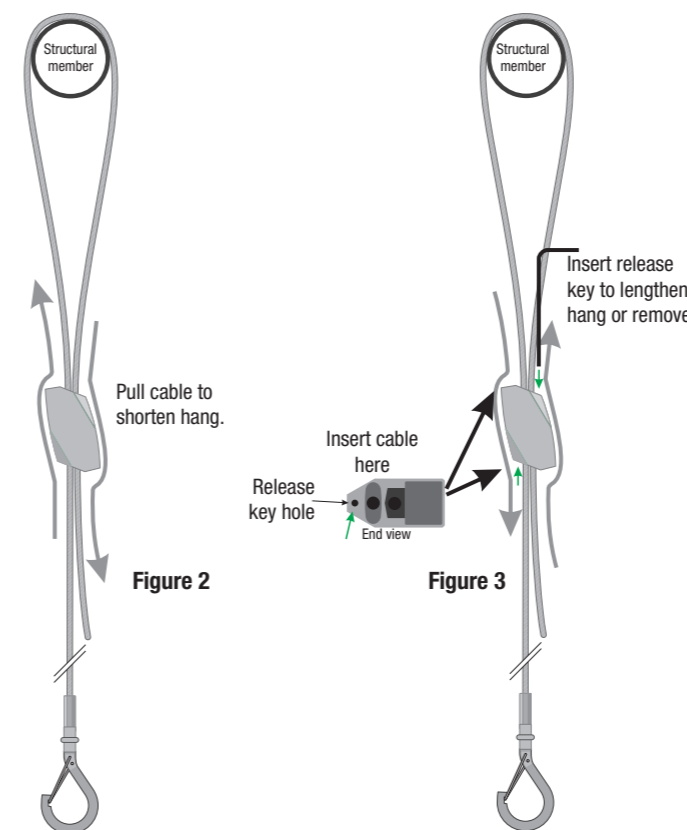


Figure 2

Figure 3

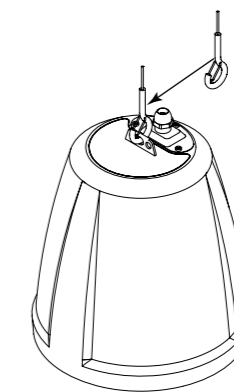


Figure 4

Wire the Loudspeaker

We recommend using insulated twisted pair stranded copper wire of an adequate gauge to minimize resistive losses. To facilitate daisy-chaining, the AD-P Series loudspeakers have a four-pole input connector with two parallel-connected + and - pairs, and they each come a Euro-style four-pole pluggable connector with clamping screws for securing to the wire conductors.

1. Remove the magnetic grille and set the transformer tap switch located to the desired wattage or to 16Ω for low-impedance operation (Figure 5). Reattach the grille.
2. On the top of the enclosure, remove the protective cover for the input connector.
3. Route the wires through the cover. Connect the pair of wires to the + and - terminals of the Euro-style connector. Tighten the clamping screws securely.
4. To daisy-chain on to another loudspeaker, attach a second wire pair to the Euro-style connector. Plug the connector into the loudspeaker's input connector and tighten the retaining screws (Figure 6). Reinstall the protective cover.
5. To strain-relieve the loudspeaker line wiring, secure it to the suspension cable using the tie-wraps provided.

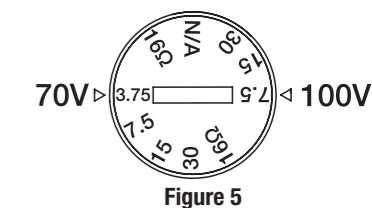


Figure 5

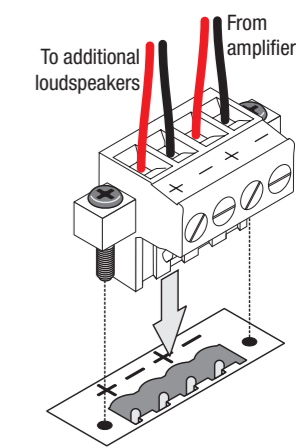


Figure 6

Specifications

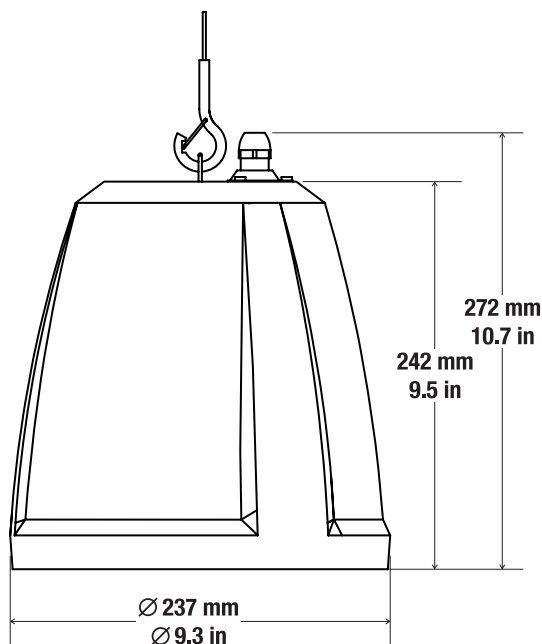
AD-P4T

LF Transducer	114 mm (4.5 in) weather treated paper cone woofer
HF Transducer	19 mm (0.75 in) aluminum dome tweeter
Rated noise power ⁽¹⁾	30 watts / 22 V rms
Nominal impedance	16Ω
Transformer taps	70V: 30, 15, 7.5, 3.75 W 100V: 30, 15, 7.5 W
Effective frequency range ⁽²⁾	65 Hz–20 kHz
Rated coverage (-6 dB) ⁽³⁾	150° conical DMT
Directivity factor	4.5
Directivity index	6.5 dB
Sensitivity ⁽⁴⁾	87.9 dB
Maximum continuous SPL ⁽⁵⁾	102 dB
Maximum peak SPL ⁽⁵⁾	108 dB
Enclosure material	Flame retardant ABS 765A VO baffle and back can
Grille material	Powder coated steel
Net weight	2.9 kg (6.5 lb)
Product dimensions [Diameter × Height]	Ø 237 × 272 mm (Ø 9.3 × 10.7 in)
Shipping weight	3.9 kg (8.7 lb)
Shipping dimensions (H × W × D)	298 × 362 × 286 mm (11.75 × 14.25 × 11.25 in) [pair packed]
Environment	IP34 ingress protection; -20° to 50° C (-4° to 122° F) operating temperature range
Agency listing	UL1480A

(1) IEC60268-5 50Hz high passed noise signal for 2 hr, 16Ω (2) 4π free space, -10 dB from on-axis sensitivity (3) -6 dB from on-axis, 500 Hz–5 kHz
(4) 4π free space, on-axis, 4.0 V rms, 1 m (5) Calculated from rated noise voltage and sensitivity

Dimensions

AD-P4T



QSC™

Mailing Address:

QSC, LLC
1675 MacArthur Boulevard
Costa Mesa, CA 92626-1468 USA

E-mail:

info@qsc.com
service@qsc.com
tech_support@qsc.com

Telephone Numbers:

Main Number: +1 (714) 754-6175
Sales & Marketing: +1 (714) 957-7100 or toll free (USA only) (800) 854-4079
Customer Service: +1 (714) 957-7150 or toll free (USA only) (800) 772-2834
Facsimile Numbers:
Sales & Marketing FAX: +1 (714) 754-6174
Customer Service FAX: +1 (714) 754-6173
World Wide Web: www.qsc.com