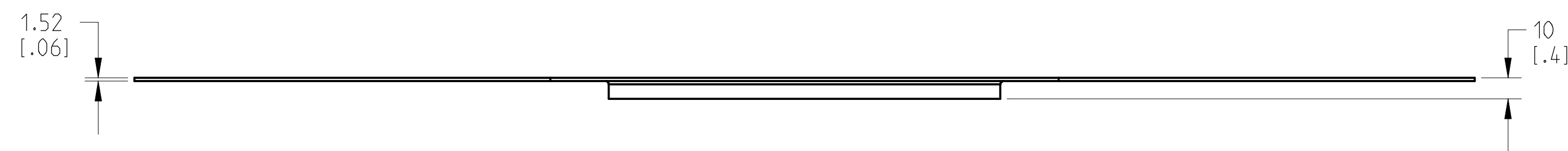
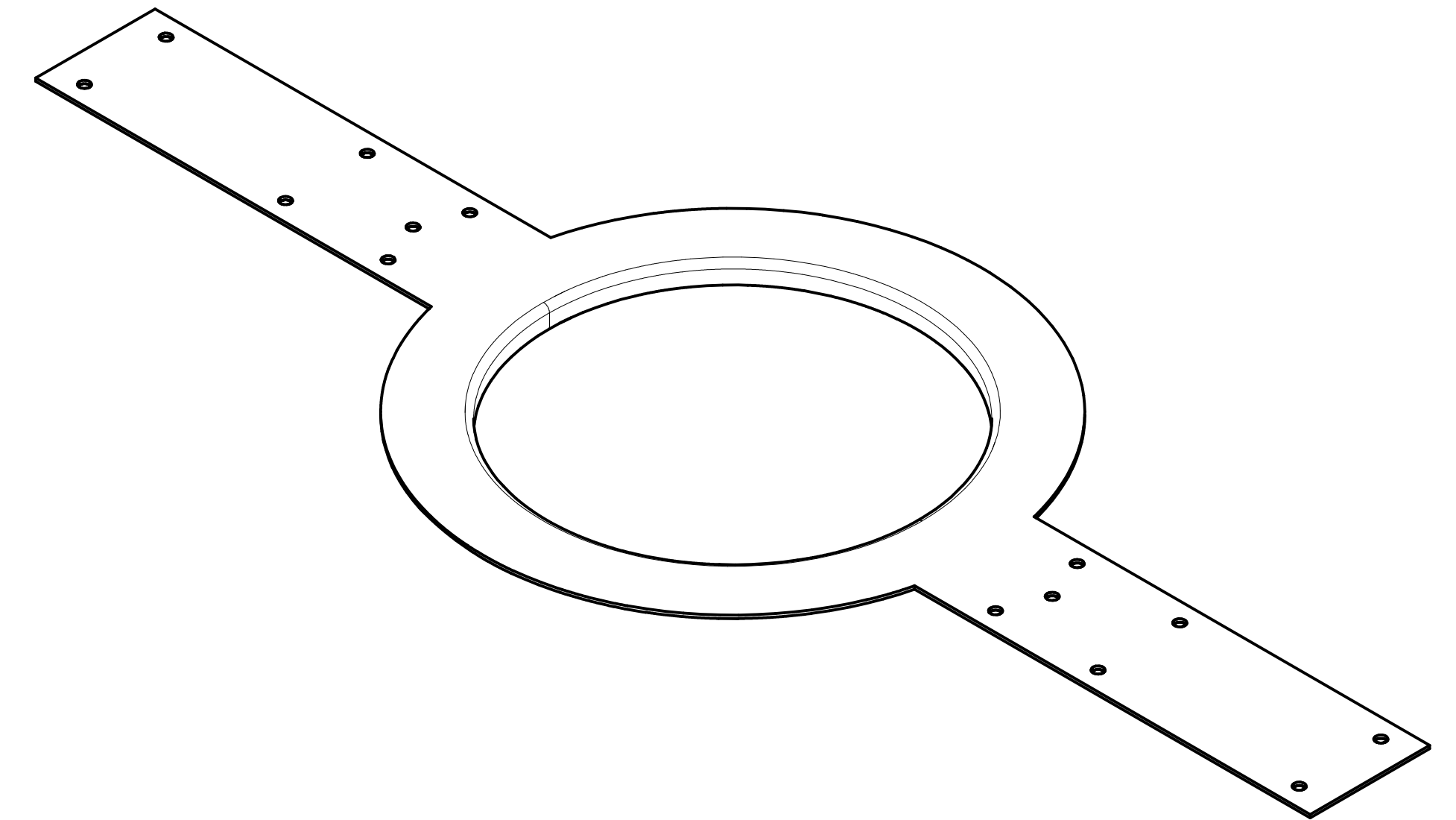
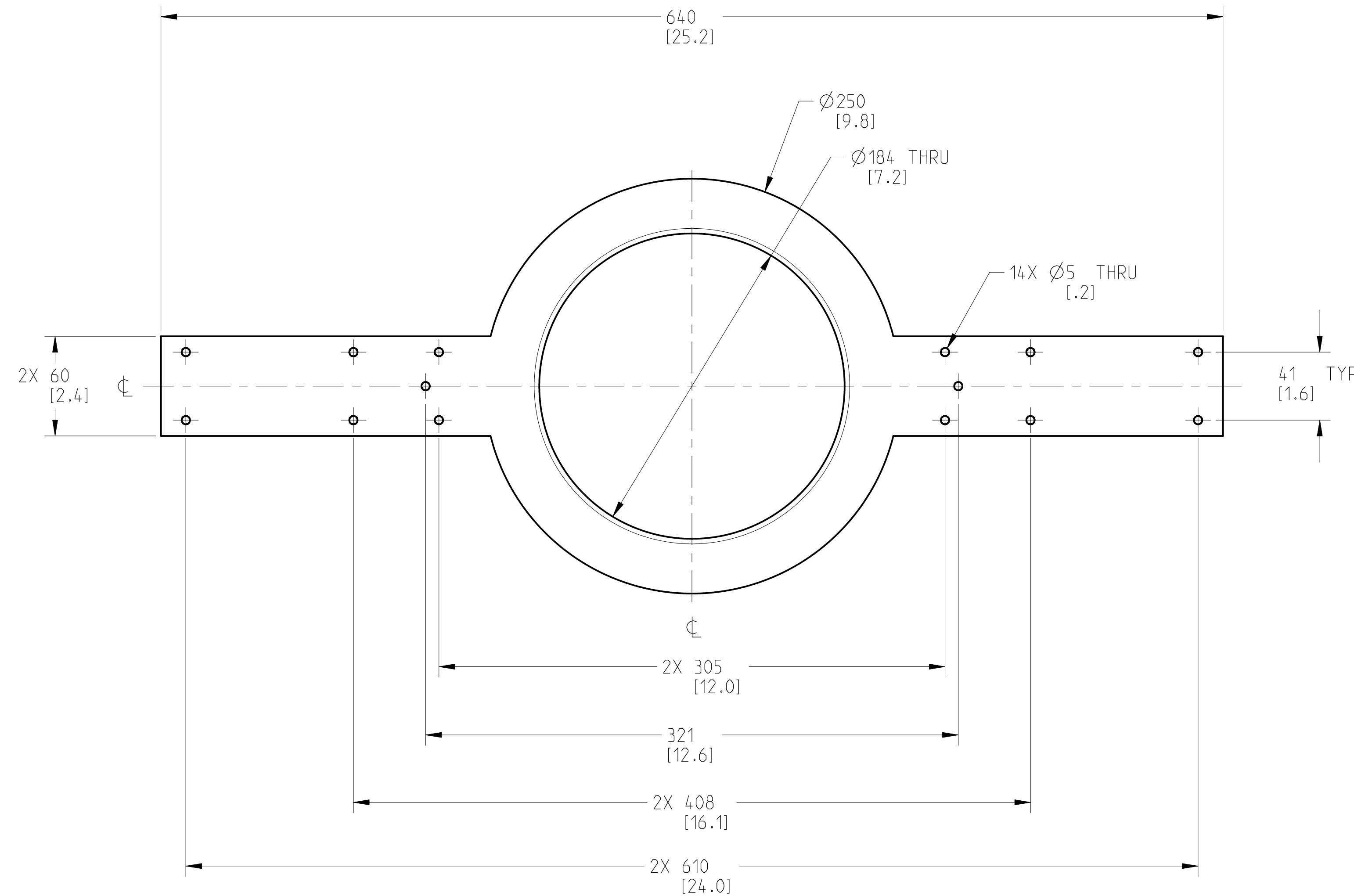


THIS DOCUMENT CONTAINS PROPRIETARY INFORMATION WHICH IS THE PROPERTY OF QSC, LLC. THAT MAY NOT BE DISCLOSED, REPRODUCED OR USED WITHOUT EXPRESS WRITTEN CONSENT FROM QSC, LLC.

REVISIONS			
REV	DESCRIPTION	BY	DATE
A	RELEASE FOR SALES AND MARKETING	ES	06-JUN-16



1. NET WEIGHT APPROXIMATELY 0.45 KG [1.1 LBS].
2. TOLERANCES (MM): X ± 3, ANGLES: ± 1°.
3. PARTS ARE SYMMETRICAL ABOUT CENTER LINES UNLESS OTHERWISE NOTED.
4. DIMENSIONS ARE IN MILLIMETERS [INCH].

NOTES: UNLESS OTHERWISE SPECIFIED

UNLESS OTHERWISE SPECIFIED DIMENSIONS IN MILLIMETERS (IN) TOLERANCES ARE: DECIMALS .XX±.01 ANGLES ± 1/2 DECURR EDGES .25 (1.01) R MAX	DESIGNER ENG. SERVICES	QSC, LLC 1675 MACARTHUR BOULEVARD COSTA MESA, CA 92626								
	ENGINEER									
MATERIAL	TECHNICAL DIRECTOR	MUD RING, AC-MR4, FINISHED								
FINISH	MANUFACTURING ENGINEER									
DRAWING INFO: FG-000274-2D-A.1	MODEL INFO: CH-001416-00-A.1	<table border="1"> <tr> <td>SIZE</td> <td>CAGE CODE</td> <td>DRAWING NO.</td> <td>REV</td> </tr> <tr> <td>D</td> <td>00PW4</td> <td>FG-000274-2D</td> <td>A</td> </tr> </table>	SIZE	CAGE CODE	DRAWING NO.	REV	D	00PW4	FG-000274-2D	A
SIZE	CAGE CODE	DRAWING NO.	REV							
D	00PW4	FG-000274-2D	A							
SCALE: 0.500 DO NOT SCALE DRAWING		SHEET 1 OF 1								