

Quick Start Guide



Mailing Address:

QSC, LLC
1675 MacArthur Boulevard
Costa Mesa, CA 92626-1468 U.S.

Main Number:
+1.714.754.6175
World Wide Web:
www.qsc.com

Sales & Marketing:

Voice: +1.714.957.7100
Toll free: 1.800.854.4079 (U.S. only)
FAX: +1.714.754.6174
E-mail: info@qsc.com

Q-SYS™ Customer Support

Application Engineering and Technical Services

Monday - Friday 7 AM to 5 PM PST
(Excludes Holidays)
Toll free 1.800.772.2834 (U.S. only)
Voice: +1.714.957.7150

Q-SYS 24/7 Emergency Support*

Voice:
+1.888.252-4836 (U.S./Canada)
+1.949.791.7722 (non U.S.)

*Q-SYS 24/7 Support is for Emergency assistance with Q-SYS systems only. 24/7 support guarantees a call back within 30 min after a message is left. Please include, Name, Company, Call Back Number and description of the Q-SYS emergency for prompt call back. If calling during business hours please use the standard support numbers above.



Q-SYS Support E-mail

qsysupport@qsc.com
(Immediate e-mail response times not guaranteed)

QSC Technical Services

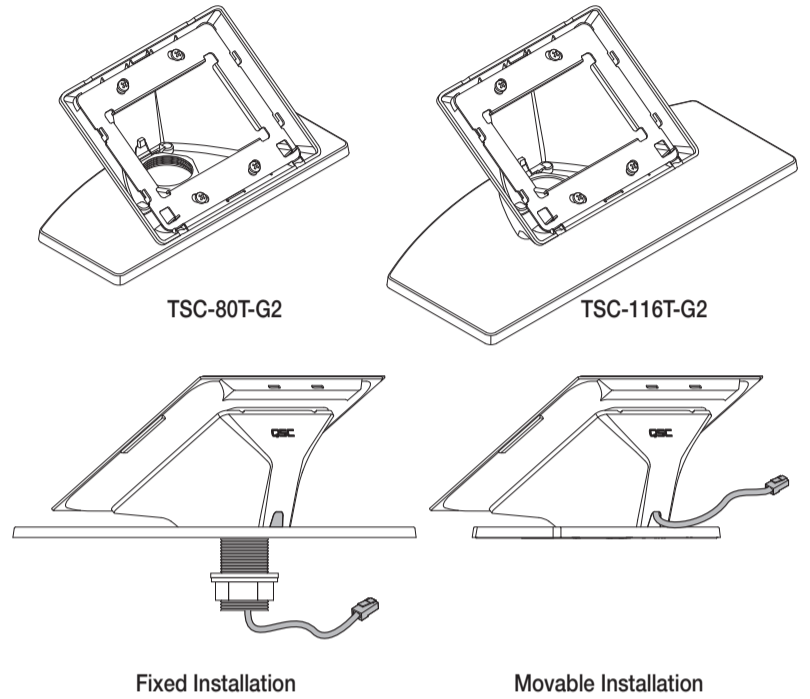
1675 MacArthur Blvd.
Costa Mesa, CA 92626 U.S.

Voice:
800.772.2834 (U.S. only)
+1.714.957.7150
FAX: +1.714.754.6173

Tabletop Stand Accessory

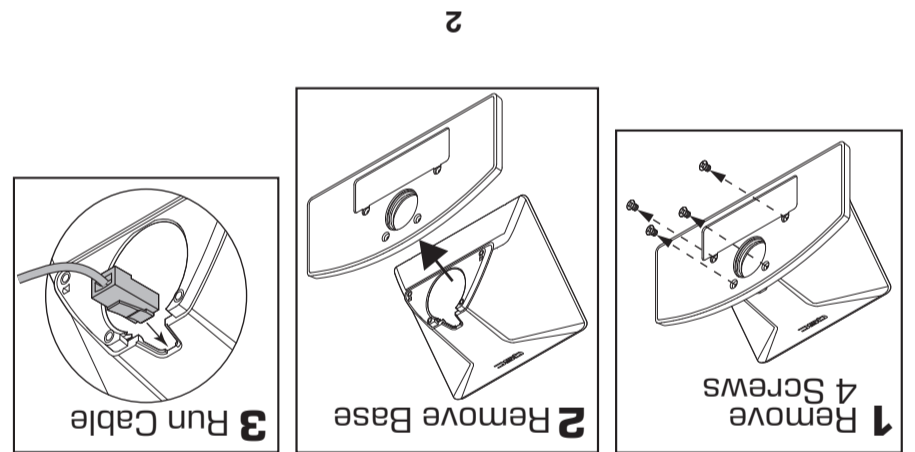
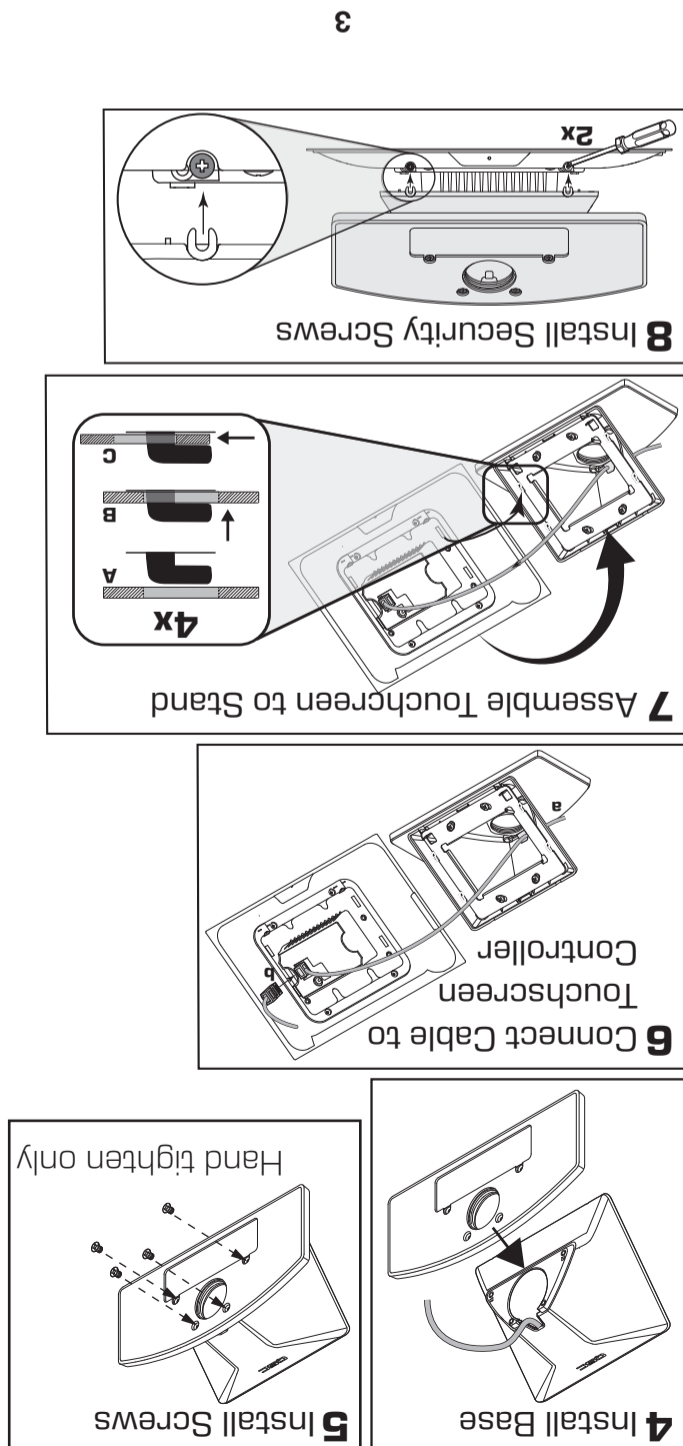
TSC-80T-G2 (for TSC-80W-G2)

TSC-116T-G2 (for TSC-116W-G2)



© Copyright 2018, QSC, LLC, QSC™ is a registered trademark of QSC, LLC, "QSC" and the QSC logo are registered with the U.S. Patent and Trademark Office. Q-SYS, Q-LAN and, Q-SYS Designer are trademarks of QSC, LLC. All trademarks are the property of their respective owners. <http://patents.qsc.com>.

TD-001554-01-A1



Movable Installation TSC-80T-G2 / TSC-116T-G2

NOTE: Specifications subject to change without notice.

	TSC-80T-G2	TSC-116T-G2
Stand only (HWD)	3.4 x 7.9 x 3.8	3.9 x 10.4 x 4.7
Stand and Touchscreen (HWD)	4.2 x 8.8 x 4.9	5.4 x 12.4 x 5.3
millimeters	85.6 x 200 x 96	99 x 264 x 119
Inches	3.4 x 7.9 x 3.8	3.9 x 10.4 x 4.7
Shipping Weight	1.4	2.1
lb	0.64	0.95
Kg	0.64	0.95

Specifications

• Bracket hooks (4x)	• Security lock tabs (x2)	• Movable or fixed installation options
• Removable cable cover	• Non-skid, low profile design	

Tabletop Features

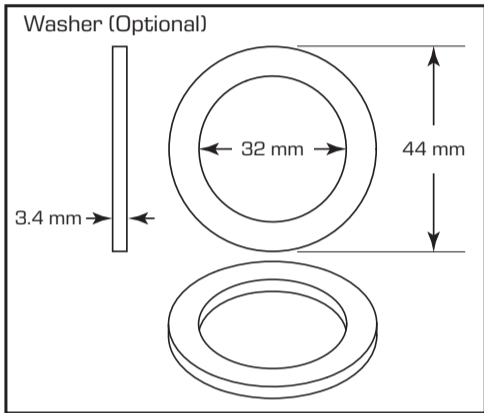
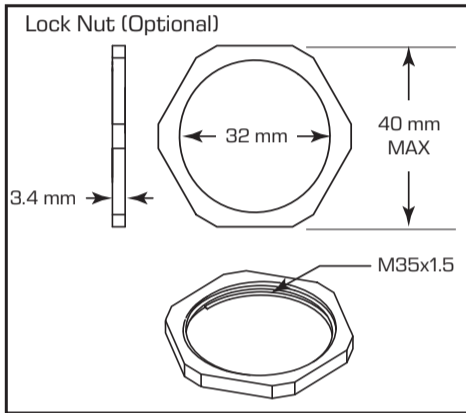
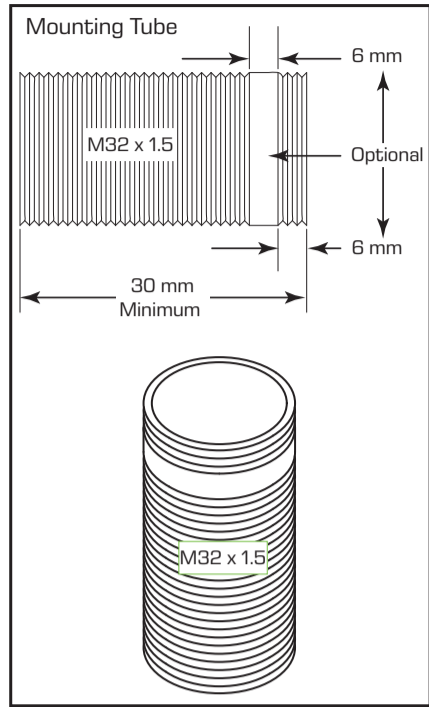
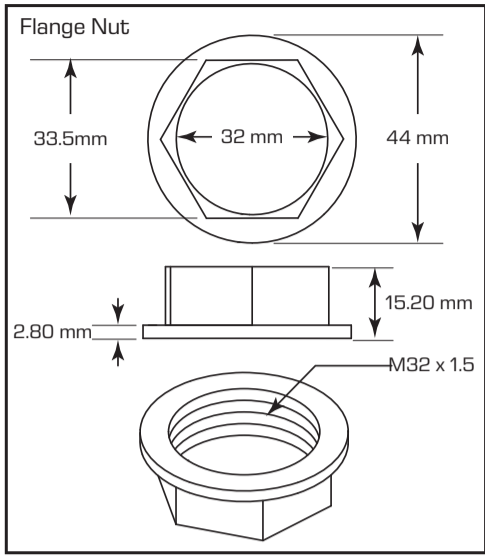
For a copy of the QSC Limited Warranty, visit the QSC, LLC, website at www.qsc.com.
Para una copia de la Garantía Limitada de QSC, visite el sitio web de QSC, LLC, en www.qsc.com.
Pour obtenir une copie de la garantie limitée de QSC, visitez le site de QSC, LLC, à www.qsc.com.
Besuchen Sie die Webseite von QSC, LLC, (www.qsc.com) um eine Kopie der beschriebenen Garantien von QSC zu erhalten.
如果您想要QSC有限保修的複印本，請造訪QSC音頻產品的網站www.qsc.com.
Для получения копии ограниченной гарантии QSC посетите веб-сайт QSC, LLC, расположенный по адресу www.qsc.com.
www.qsc.com على الموقع الإلكتروني لمنتجات QSC للترفيه والتكنولوجيا، قم بزيارة الموقع الإلكتروني لمنتجات QSC للترفيه والتكنولوجيا، www.qsc.com لتحميل النسخة من الوثيقة على الإنترنت.

Warranty

Fixed Installation TSC-80T-G2 / TSC-116T-G2

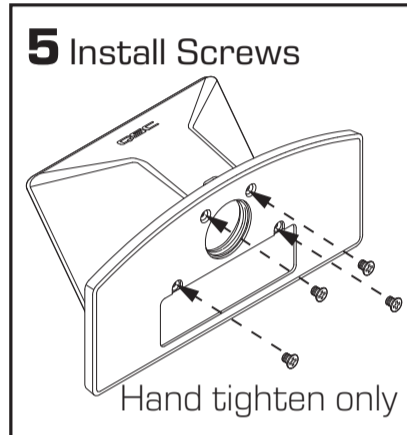
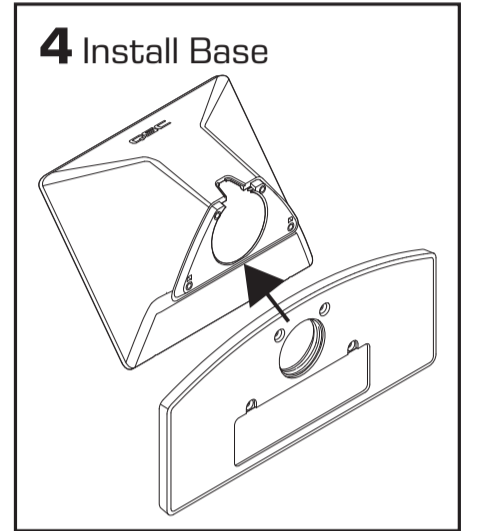
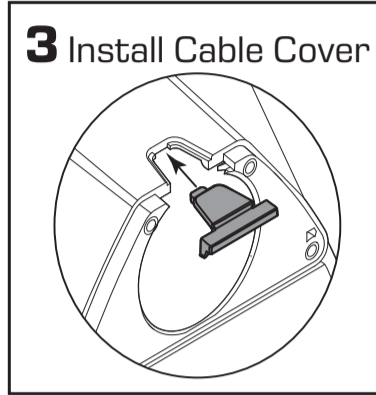
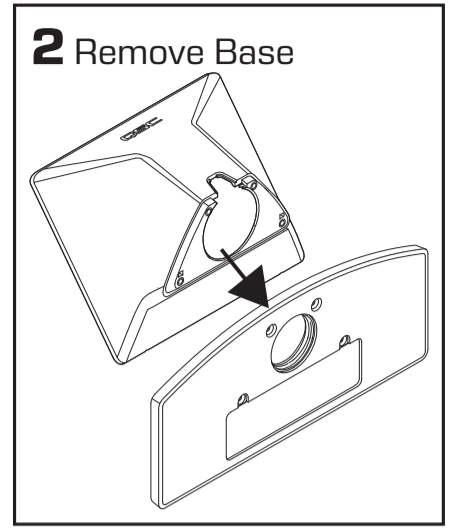
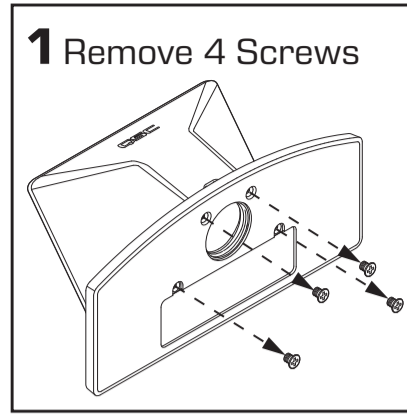
User Supplied Parts

These parts are required only for the fixed installation. Use M32 x 1.5 thread pitch.



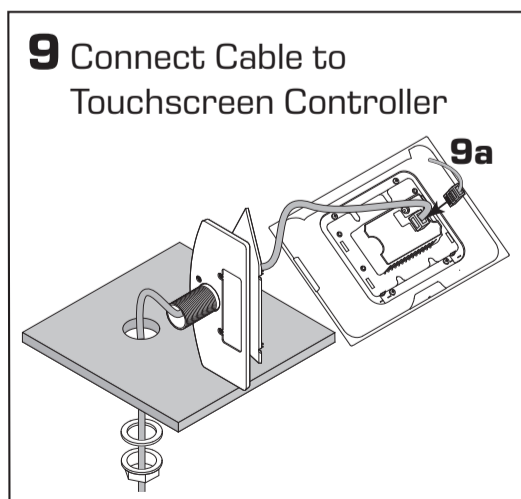
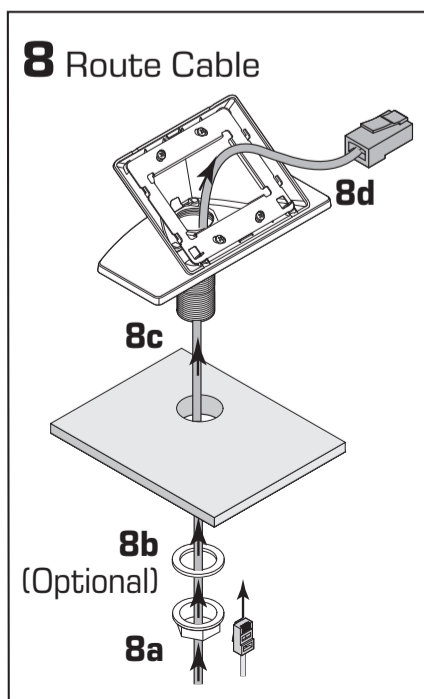
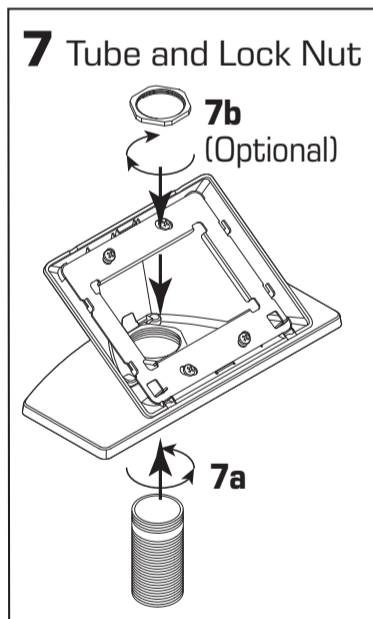
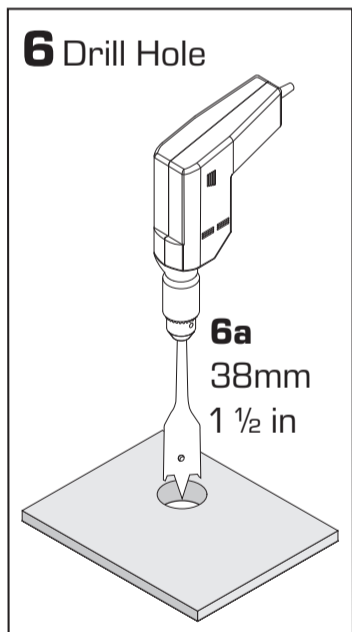
4

Install Cable Cover



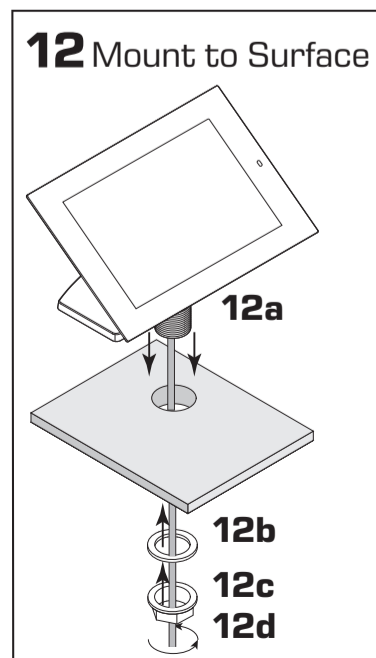
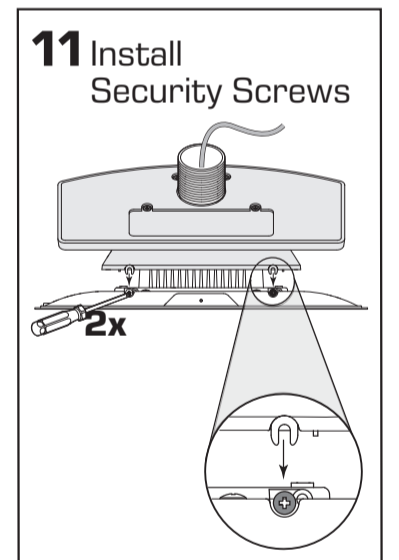
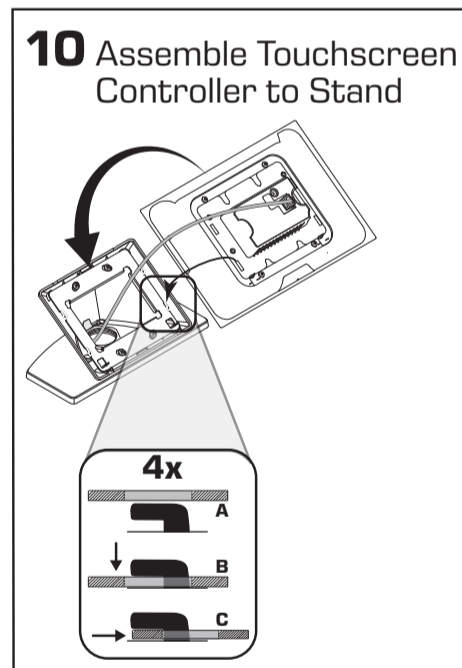
5

Assembly and Installation



6

Assembly and Installation (continued)



7

