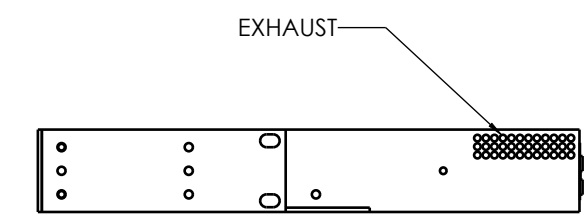
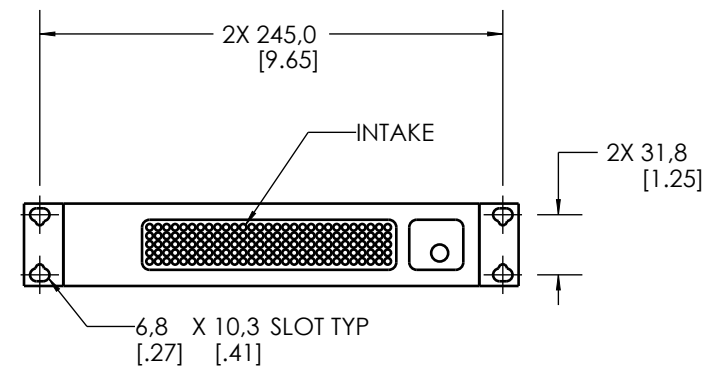
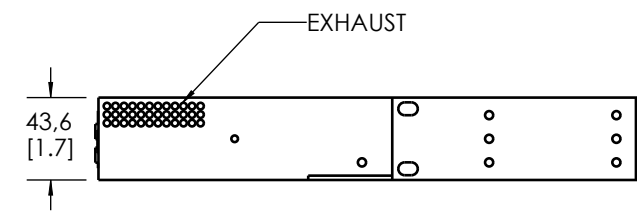
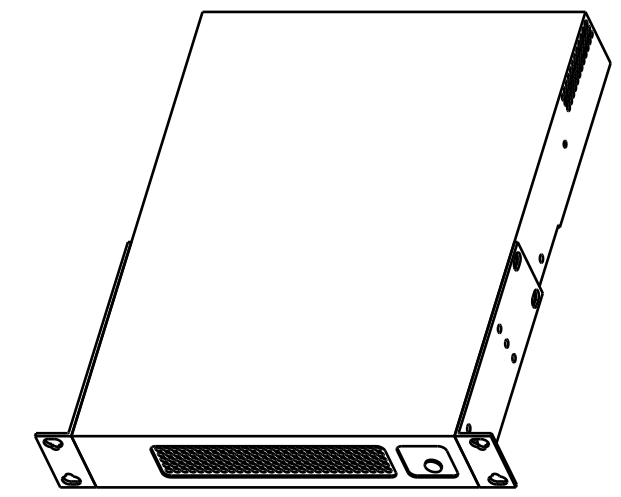
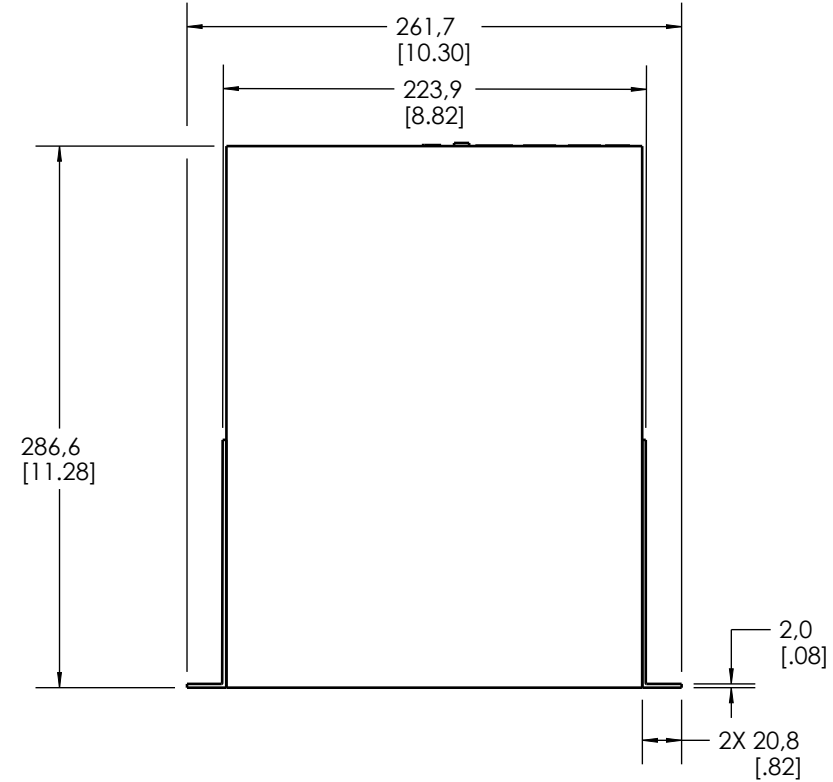
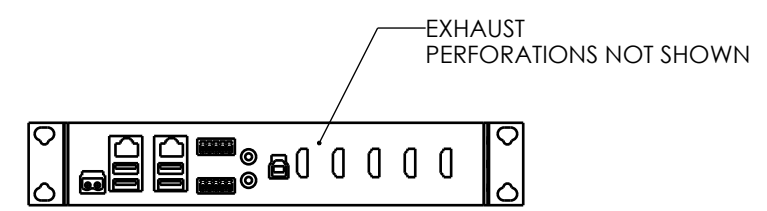


THIS DOCUMENT CONTAINS PROPRIETARY INFORMATION WHICH IS THE PROPERTY OF QSC, LLC. THAT MAY NOT BE DISCLOSED, REPRODUCED OR USED WITHOUT THE EXPRESS WRITTEN CONSENT FROM QSC, LLC.

| REVISION | | | |
|----------|-----------------|----|-----------|
| REV | DESCRIPTION | BY | DATE |
| A | INITIAL RELEASE | SS | 20-MAR-19 |



FRONT VIEW



REAR VIEW

| | | |
|---|---|---|
| UNLESS OTHERWISE SPECIFIED DIMENSIONS ARE IN MM [IN] TOLERANCES ARE: DECIMALS ANGLES .X ± 3.0 [.12] ±1° .XX ± | CAD GENERATED DRAWING DO NOT MANUALLY UPDATE | QSC, LLC 1675 MACARTHUR BOULEVARD COSTA MESA, CA 92626 USA |
| | APPROVALS | |
| MATERIAL - | DRAWN BY S. STASIAK | FINISHED GOOD, V003, VIDEO, ENDPOINT HALF RACK MOUNT |
| FINISH - | MECH ENGINEER D. TEULIE | |
| DO NOT SCALE DRAWING | TECH DIRECTOR K. KURBJUN | |
| PROJECTION SYMBOL | MFG ENGINEER T. MORGAN | |
| SCALE: 1:4 | | SIZE CAGE CODE DWG. NO. REV B 00PW4 FG-901179-2D-C A CAD FILE: FG-901179-2D-C.A.3 SHEET: 1 OF 1 |

1. NET WEIGHT WITH HARDWARE SHOWN APPROXIMATLY 2.1 KG. [4.7 LBS.].
NOTES: UNLESS OTHERWISE SPECIFIED.