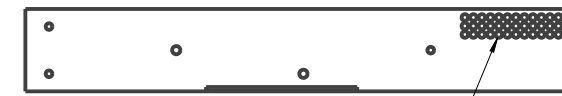
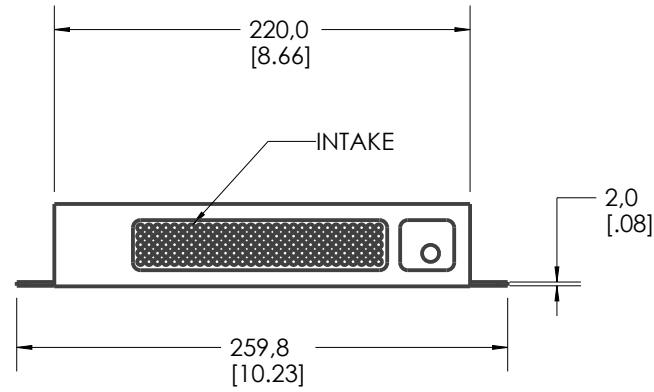
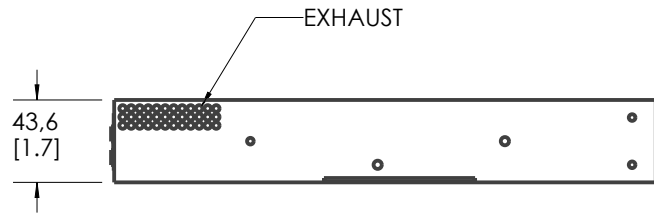
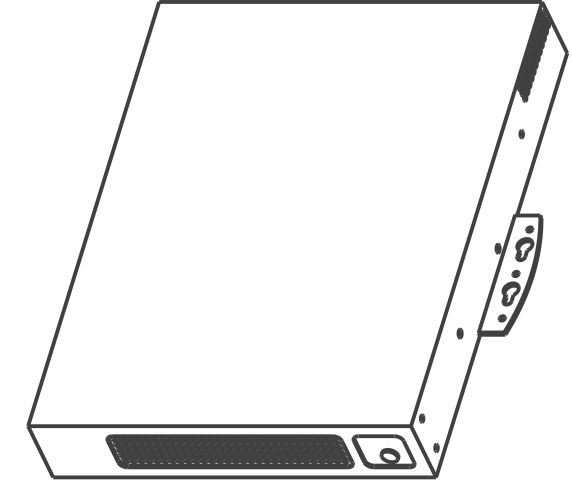


THIS DOCUMENT CONTAINS CONFIDENTIAL OR PROPRIETARY INFORMATION WHICH IS THE PROPERTY OF QSC, LLC, THAT MAY NOT BE DISCLOSED, REPRODUCED OR USED WITHOUT EXPRESS WRITTEN CONSENT FROM QSC, LLC. NO PORTION OF THIS DOCUMENT MAY BE REPRODUCED, REDISTRIBUTED, OR OTHERWISE DISCLOSED TO ANY THIRD PARTY WITHOUT QSC'S WRITTEN PERMISSION.

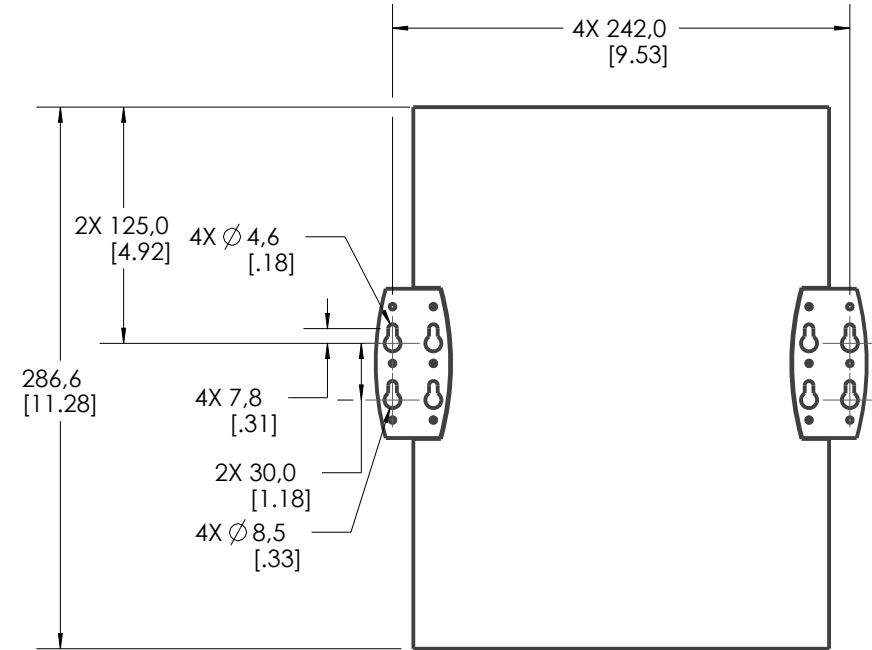
REVISION			
REV	DESCRIPTION	BY	DATE
A	INITIAL RELEASE	SS	5-OCT-20

- NOTES: UNLESS OTHERWISE SPECIFIED
- NET WEIGHT WITH HARDWARE SHOWN APPROXIMATELY 2.0 KG. [4.4 LBS.].
  - PARTS ARE SYMMETRICAL ABOUT CENTER LINES UNLESS OTHERWISE NOTED.

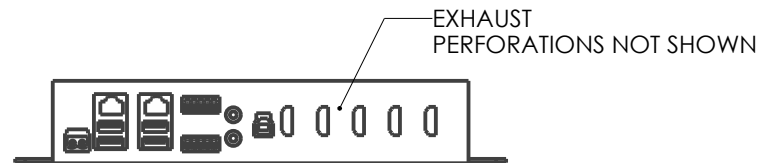


FRONT VIEW

EXHAUST



BOTTOM VIEW



REAR VIEW

UNLESS OTHERWISE SPECIFIED DIMENSIONS ARE IN MM [IN] TOLERANCES ARE: DECIMALS .X ± 3.0 [.12] ANGLES ± 1° MATERIAL - FINISH - DO NOT SCALE DRAWING PROJECTION SYMBOL	CAD GENERATED DRAWING DO NOT MANUALLY UPDATE	QSC, LLC 1675 MACARTHUR BOULEVARD COSTA MESA, CA 92626 USA
	APPROVALS	
	DRAWN BY S. STASIAK	SIZE CAGE CODE DWG. NO. REV B 00PW4 FG-901482-2D-D A
	MECH ENGINEER T. GOSSARD	SCALE: 1:4 CAD FILE: FG-901482-2D-D.A.1 SHEET: 1 OF 1
	TECH DIRECTOR L. MERCS	
	MFG ENGINEER R. DELAGARZA	