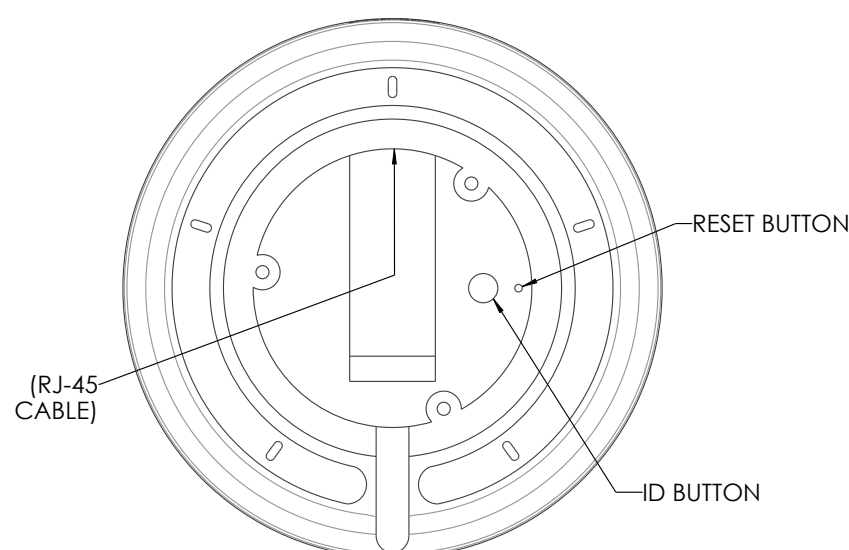
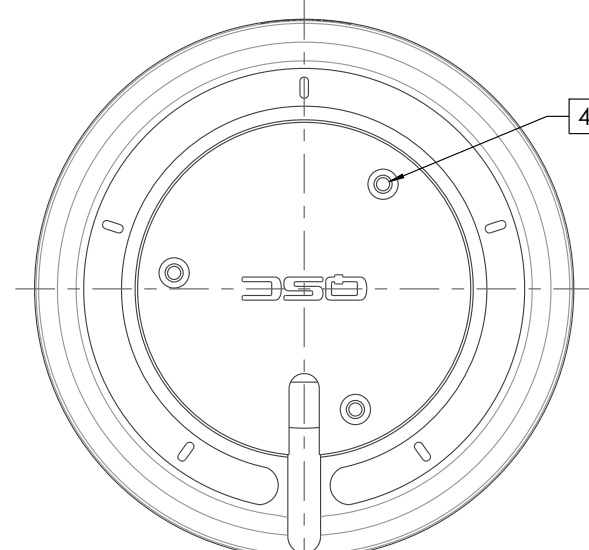
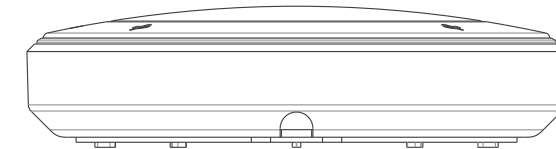
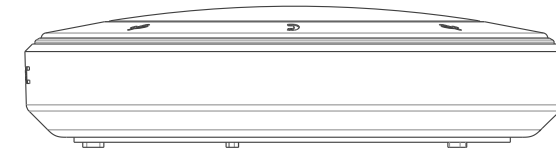
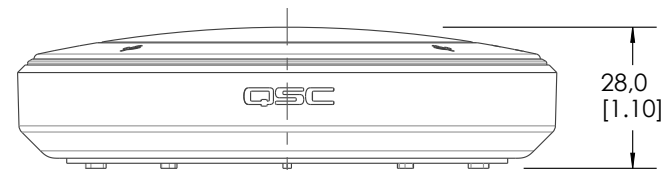
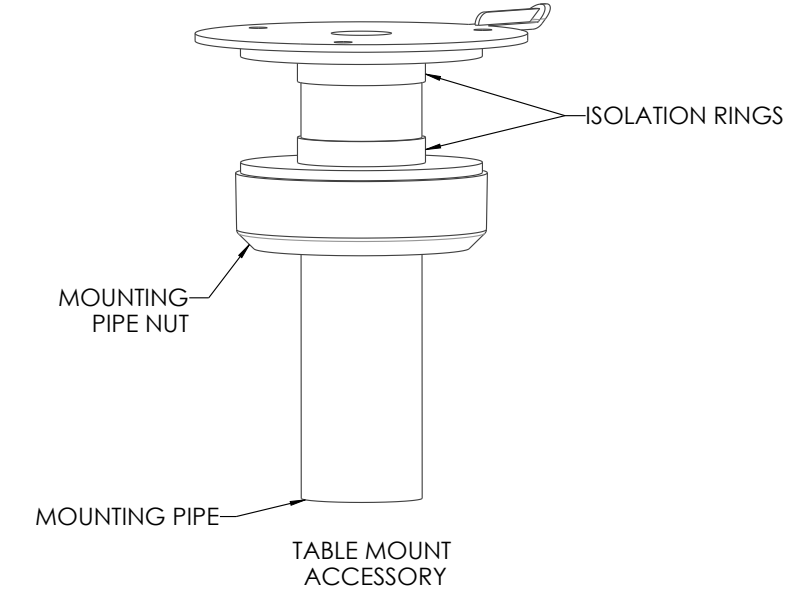
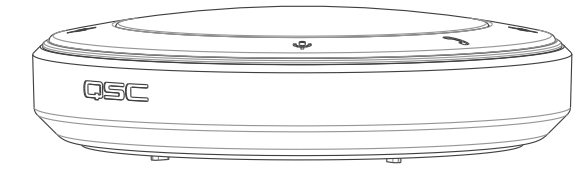
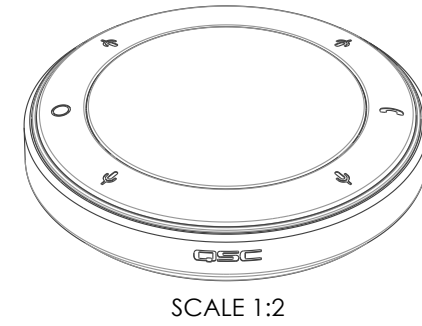
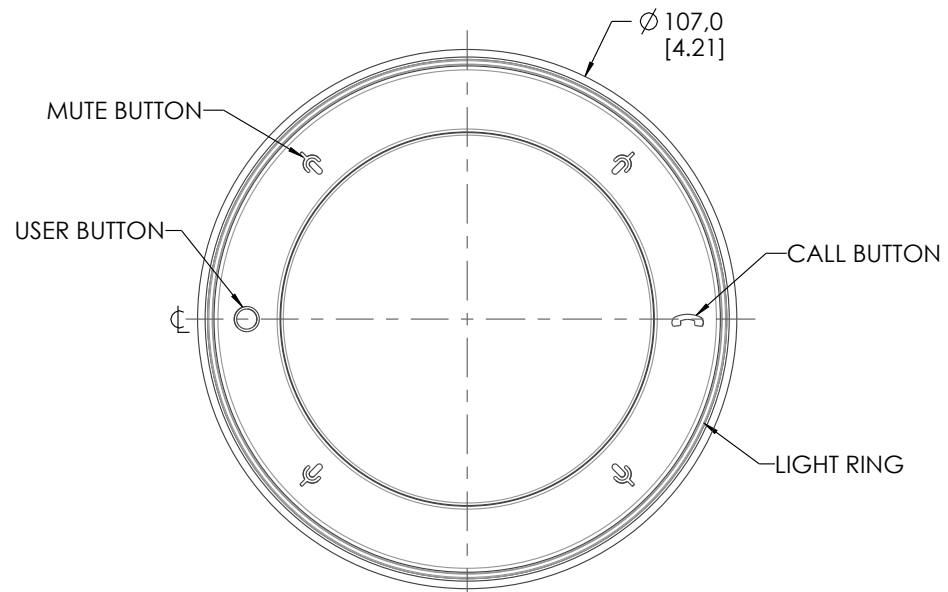


THIS DOCUMENT CONTAINS CONFIDENTIAL OR PROPRIETARY INFORMATION WHICH IS THE PROPERTY OF QSC, LLC, THAT MAY NOT BE DISCLOSED, REPRODUCED OR USED WITHOUT EXPRESS WRITTEN CONSENT FROM QSC, LLC. NO PORTION OF THIS DOCUMENT MAY BE REPRODUCED, REDISTRIBUTED, OR OTHERWISE DISCLOSED TO ANY THIRD PARTY WITHOUT QSC'S WRITTEN PERMISSION.

REVISION			
REV	DESCRIPTION	BY	DATE
A	INITIAL RELEASE	JD	13-DEC-21

NOTES: UNLESS OTHERWISE SPECIFIED

- NET WEIGHT APPROX. 0.4 KG [1 LBS].
- PARTS ARE SYMMETRICAL ABOUT CENTER LINES UNLESS OTHERWISE NOTED.
- GRILLE PERF NOT SHOWN FOR CLARITY.
- ACCESSORY MOUNTING, 3X M3X0.5 THREAD.



UNLESS OTHERWISE SPECIFIED DIMENSIONS ARE IN MM [IN]		CAD GENERATED DRAWING DO NOT MANUALLY UPDATE		QSC, LLC 1675 MACARTHUR BOULEVARD COSTA MESA, CA 92626 USA	
TOLERANCES ARE:		APPROVALS		PROCESSOR, NM-T1-BK, FINISHED	
DECIMALS	ANGLES	DRAWN BY			
.X ± 3 [.12]	± 1°	J. DELARM			
MATERIAL N/A		MECH ENGINEER			
FINISH N/A		J. YOUNG		SIZE CAGE CODE DWG. NO. REV B 00PW4 FG-901504-2D A	
DO NOT SCALE DRAWING		TECH DIRECTOR		SCALE: 1:1.5 CAD FILE: FG-901504-2D.A.1 SHEET: 1 OF 1	
PROJECTION SYMBOL		MFG ENGINEER		Form: QMS100206 Rev C	
		C. YOMOGIDA			