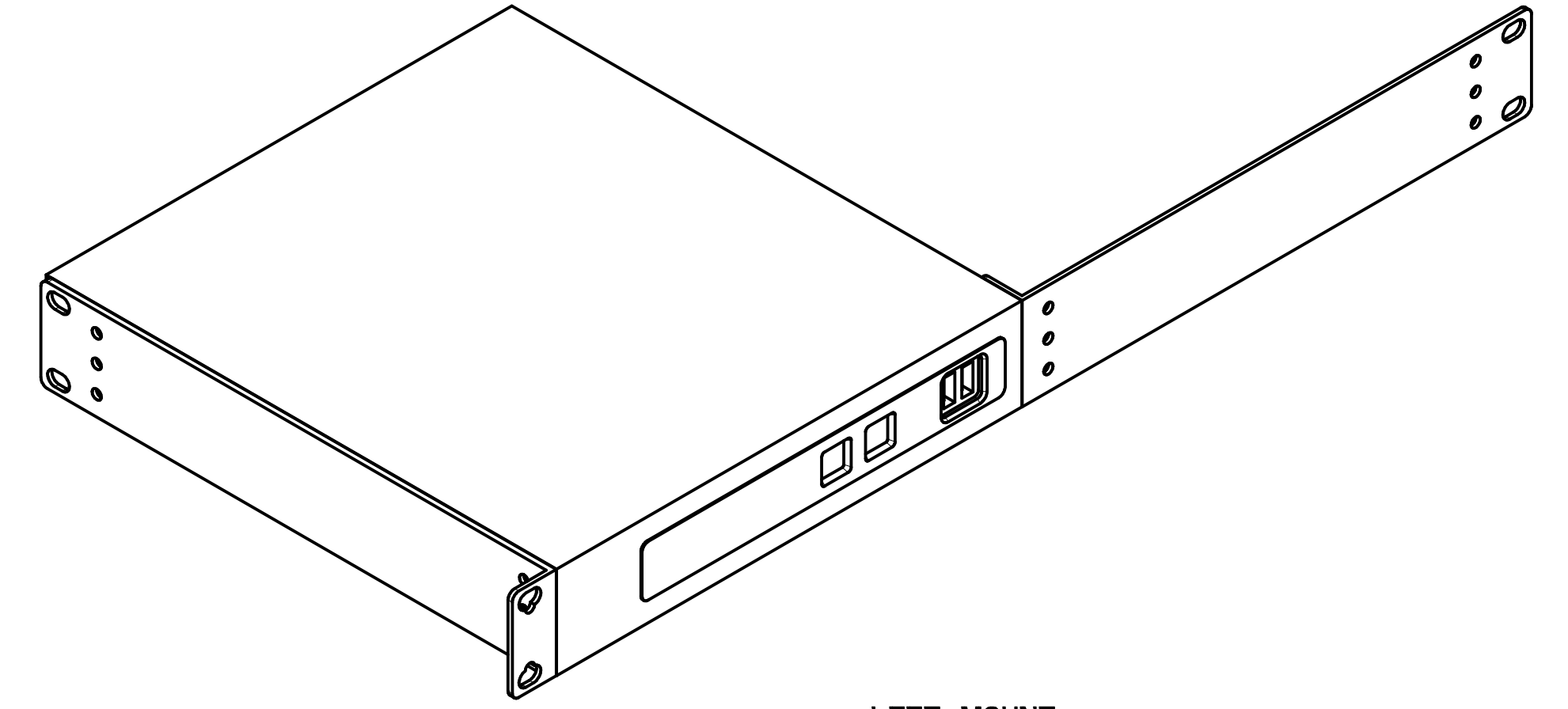
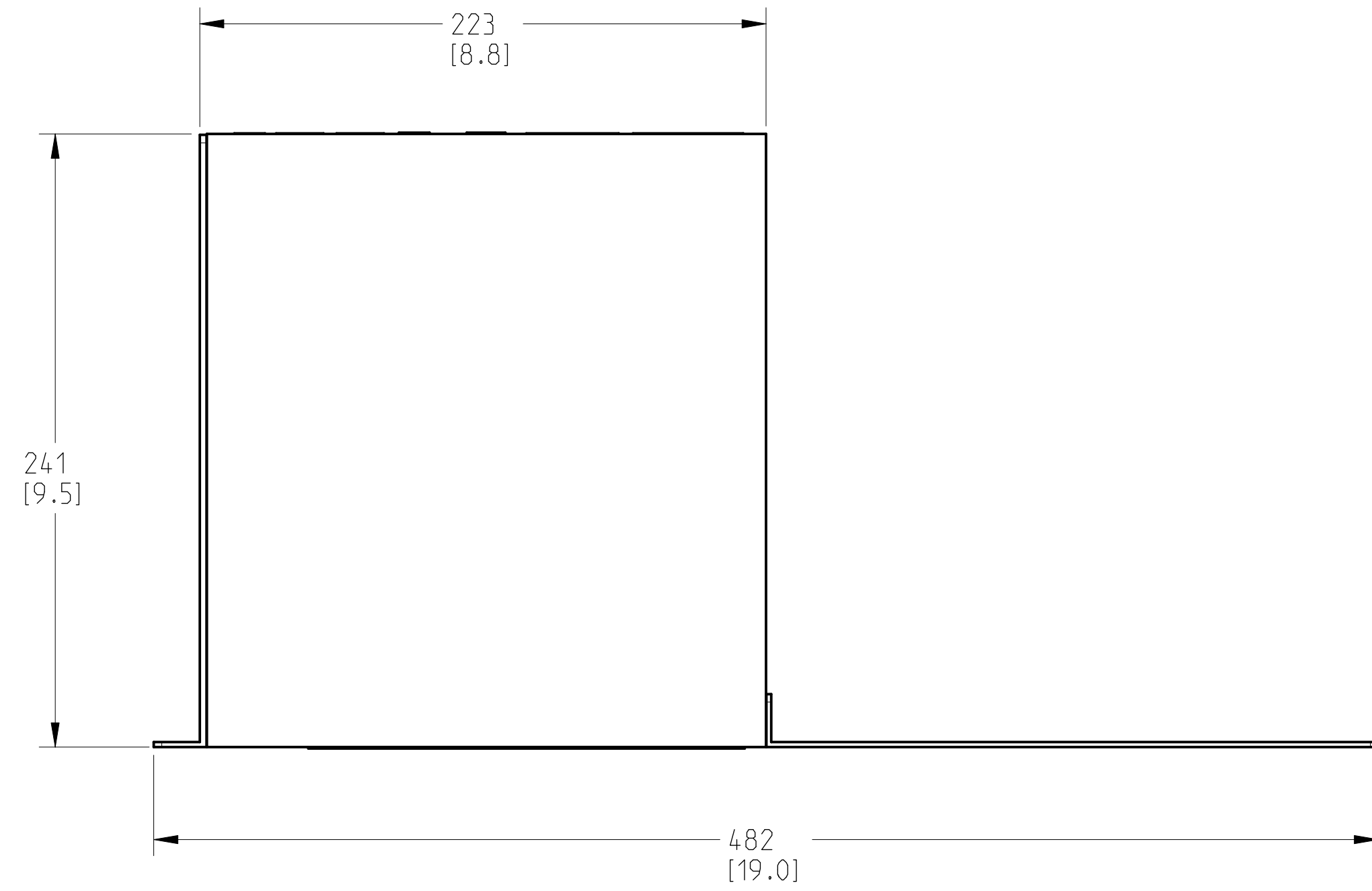
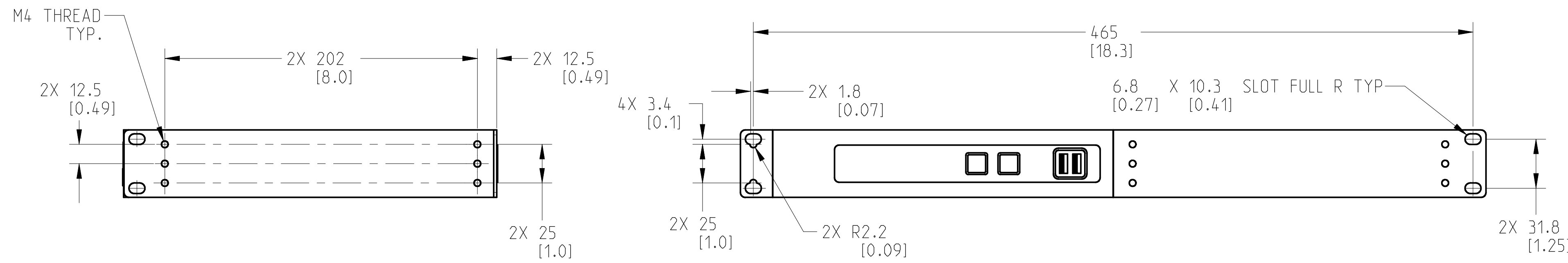


THIS DOCUMENT CONTAINS PROPRIETARY INFORMATION WHICH IS THE PROPERTY OF QSC, LLC. THAT MAY NOT BE DISCLOSED, REPRODUCED OR USED WITHOUT EXPRESS WRITTEN CONSENT FROM QSC, LLC.

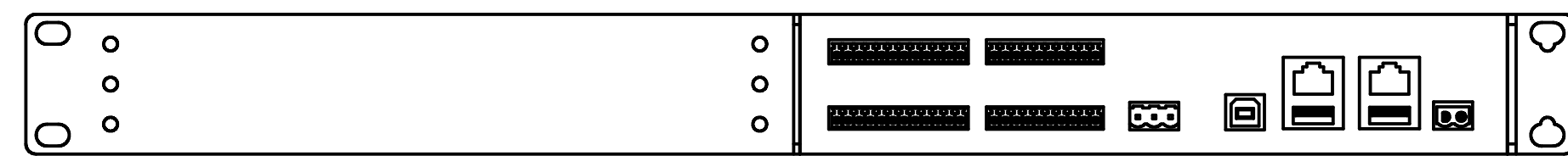
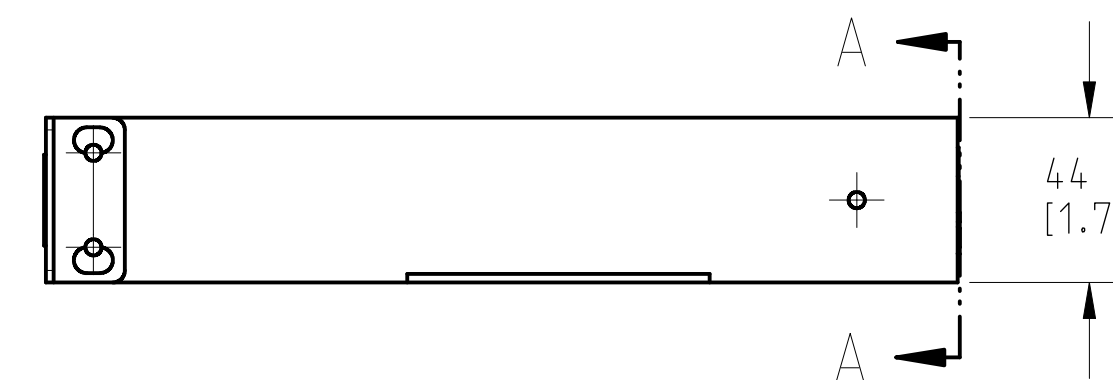
REVISIONS			
REV	DESCRIPTION	BY	DATE
A	RELEASE FOR SALES AND MARKETING	ES	22-MAY-17



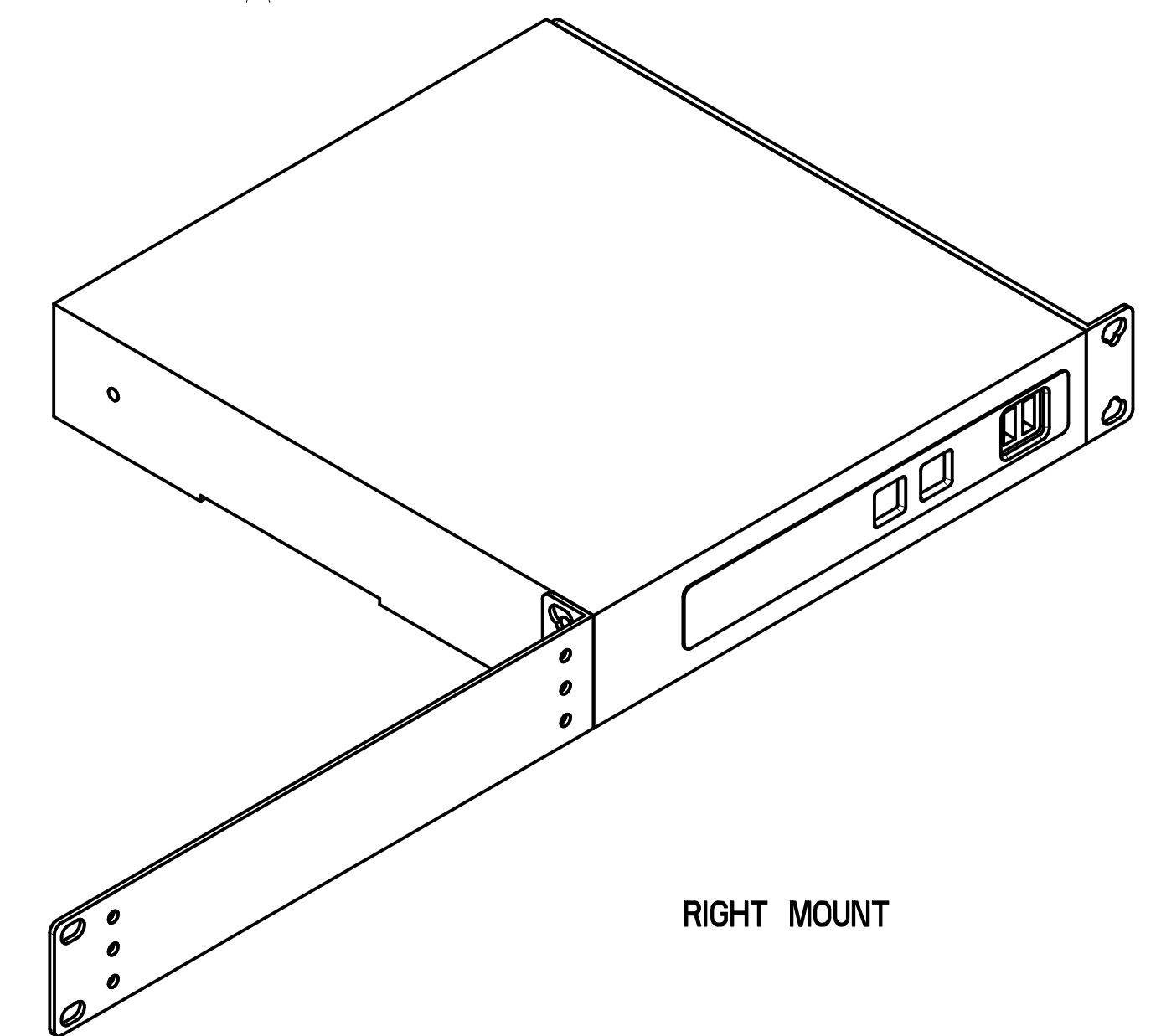
LEFT MOUNT



FRONT VIEW



VIEW A-A
REAR VIEW



RIGHT MOUNT

- NET WEIGHT OF Q-SYS 10-8 FLEX APPROXIMATELY 2.9 LBS [1.3 KG.]. MOUNTING HARDWARE IS ADDITIONAL WEIGHT.
- TOLERANCES (MM): $X \pm 3$, ANGLES: $\pm 1^\circ$.
- DIMENSIONS ARE IN MILLIMETERS (INCH).
- CHASSIS DESIGNED TO MEET 1/2 U RACK MOUNT SPECIFICATION IEC60297-3-100.
- THE LEFT MOUNTING CONFIGURATION IS DIMENSIONED. THE RIGHT MOUNTING CONFIGURATION IS SIMILAR.

NOTES: UNLESS OTHERWISE SPECIFIED.

UNLESS OTHERWISE SPECIFIED DIMENSIONS IN MILLIMETERS (IN) TOLERANCES ARE: DECIMALS DECIMALS ANGLES -X±.5(0.2) .XX±.25(0.01) ± 1/2 DECURR EDGES .25 (1.010) R MAX	DESIGNER	QSC, LLC 1675 MACARTHUR BOULEVARD COSTA MESA, CA 92626	SIZE	CAGE CODE	DRAWING NO.	REV
	ENGINEER		D	00PW4	FG-112300-2D-A	A
	TECHNICAL DIRECTOR		SCALE: 0.500	DO NOT SCALE DRAWING	SHEET	1 OF 1
	MANUFACTURING ENGINEER					
MATERIAL	DESIGNER					
FINISH	ENGINEER					
	TECHNICAL DIRECTOR					
	MANUFACTURING ENGINEER					
	DRAWING INFO: FG-112300-2D-A-A.1					
	MODEL INFO: FG-112300-3D-A-A.1					