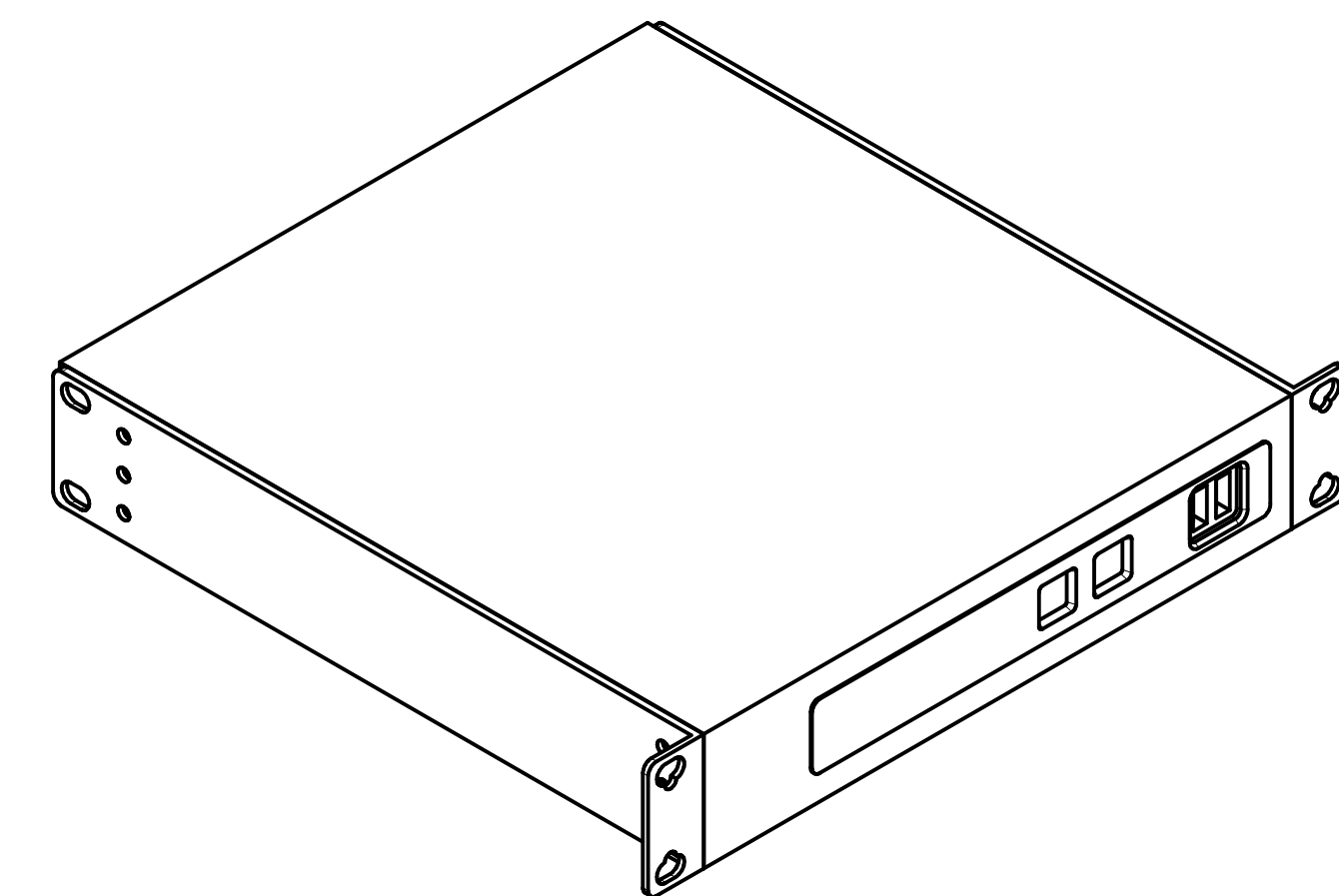
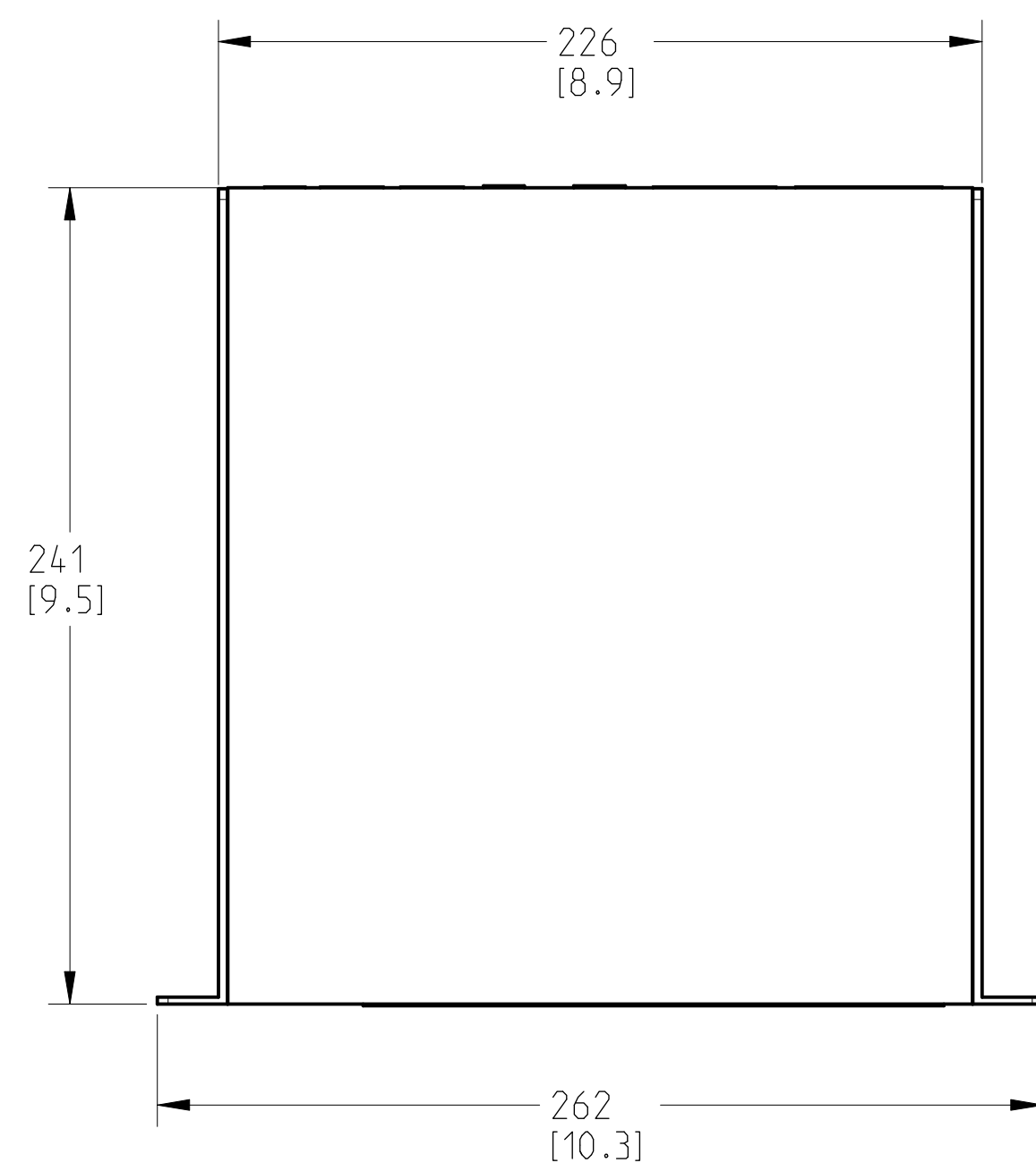
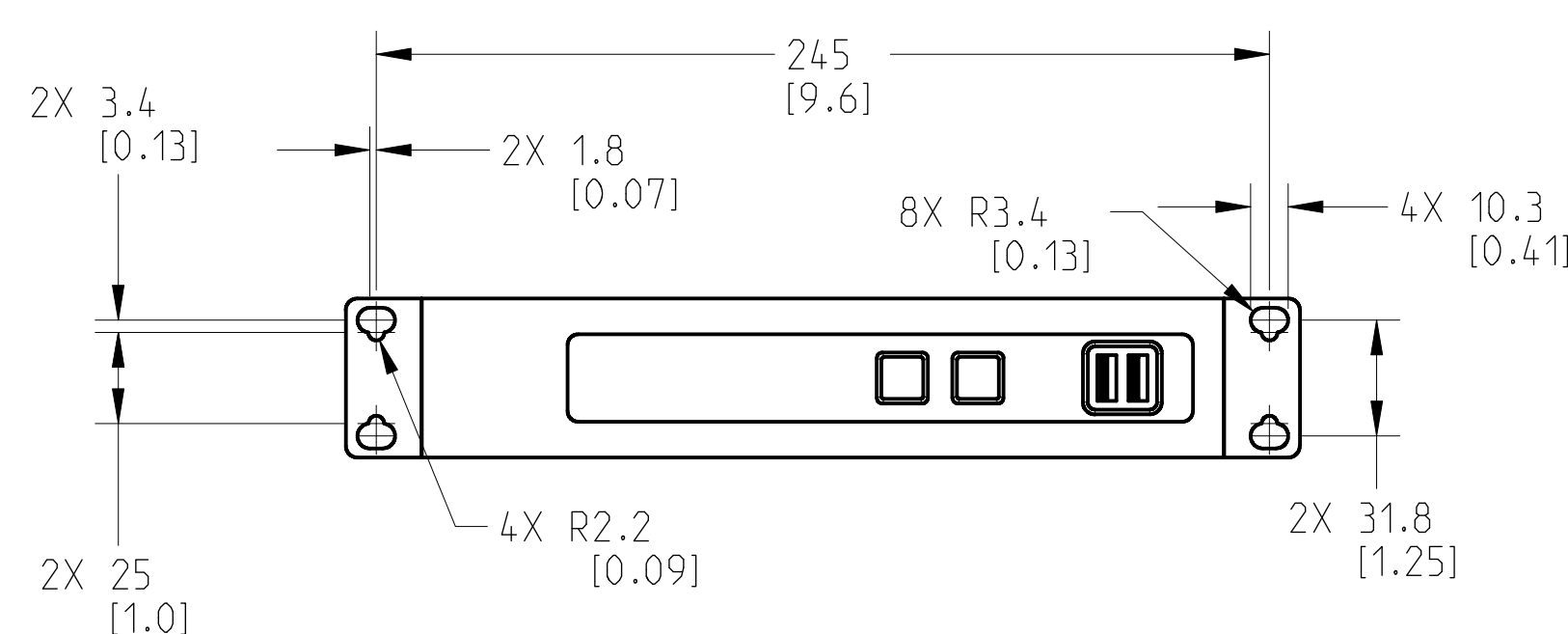
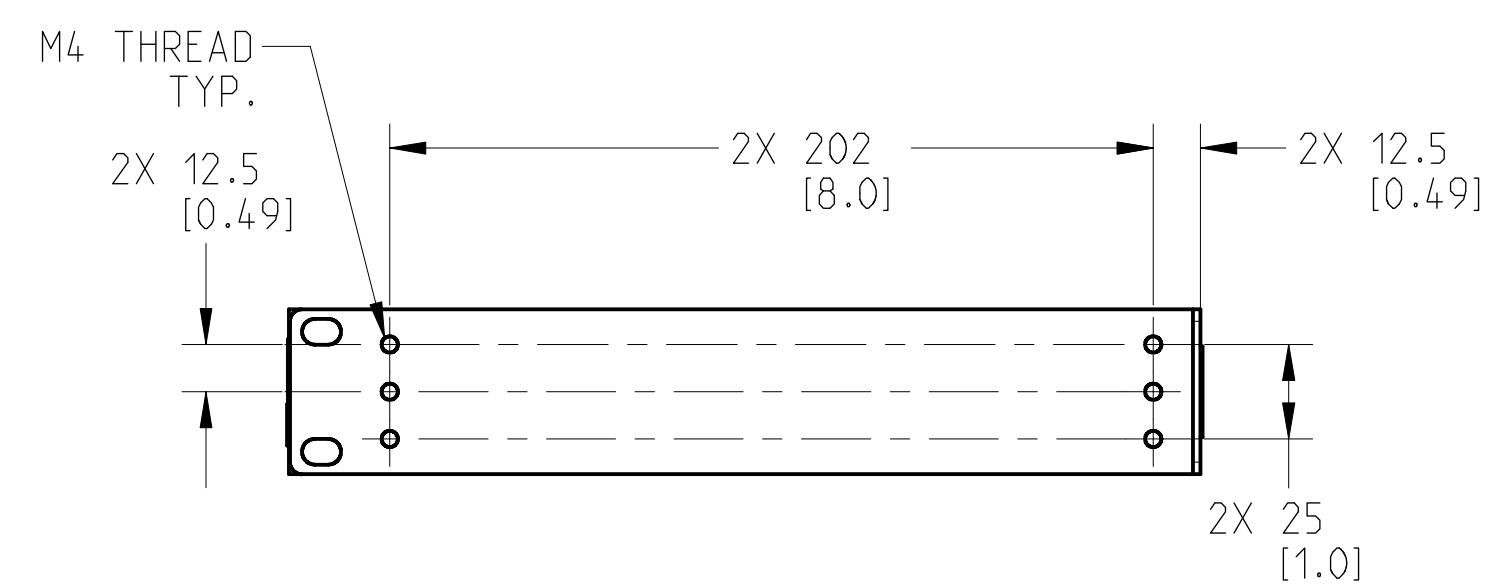


THIS DOCUMENT CONTAINS PROPRIETARY INFORMATION WHICH IS THE PROPERTY OF QSC, LLC. THAT MAY NOT BE DISCLOSED, REPRODUCED OR USED WITHOUT EXPRESS WRITTEN CONSENT FROM QSC, LLC.

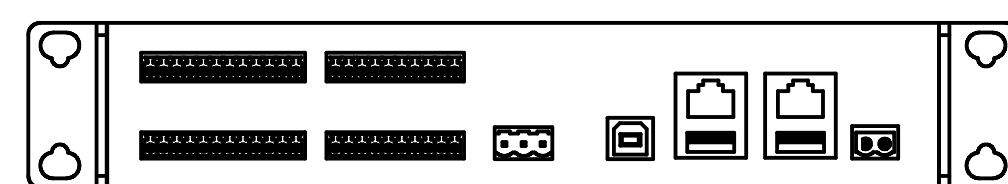
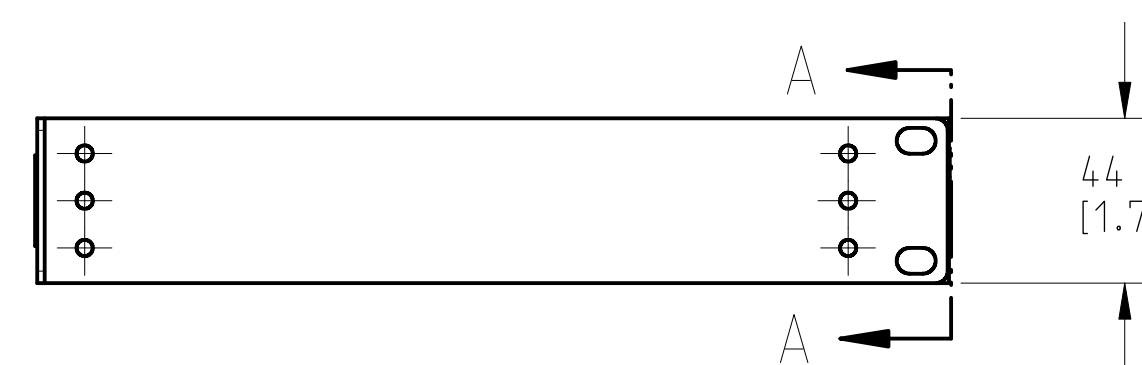
REVISIONS			
REV	DESCRIPTION	BY	DATE
A	RELEASE FOR SALES AND MARKETING	ES	22-MAY-17



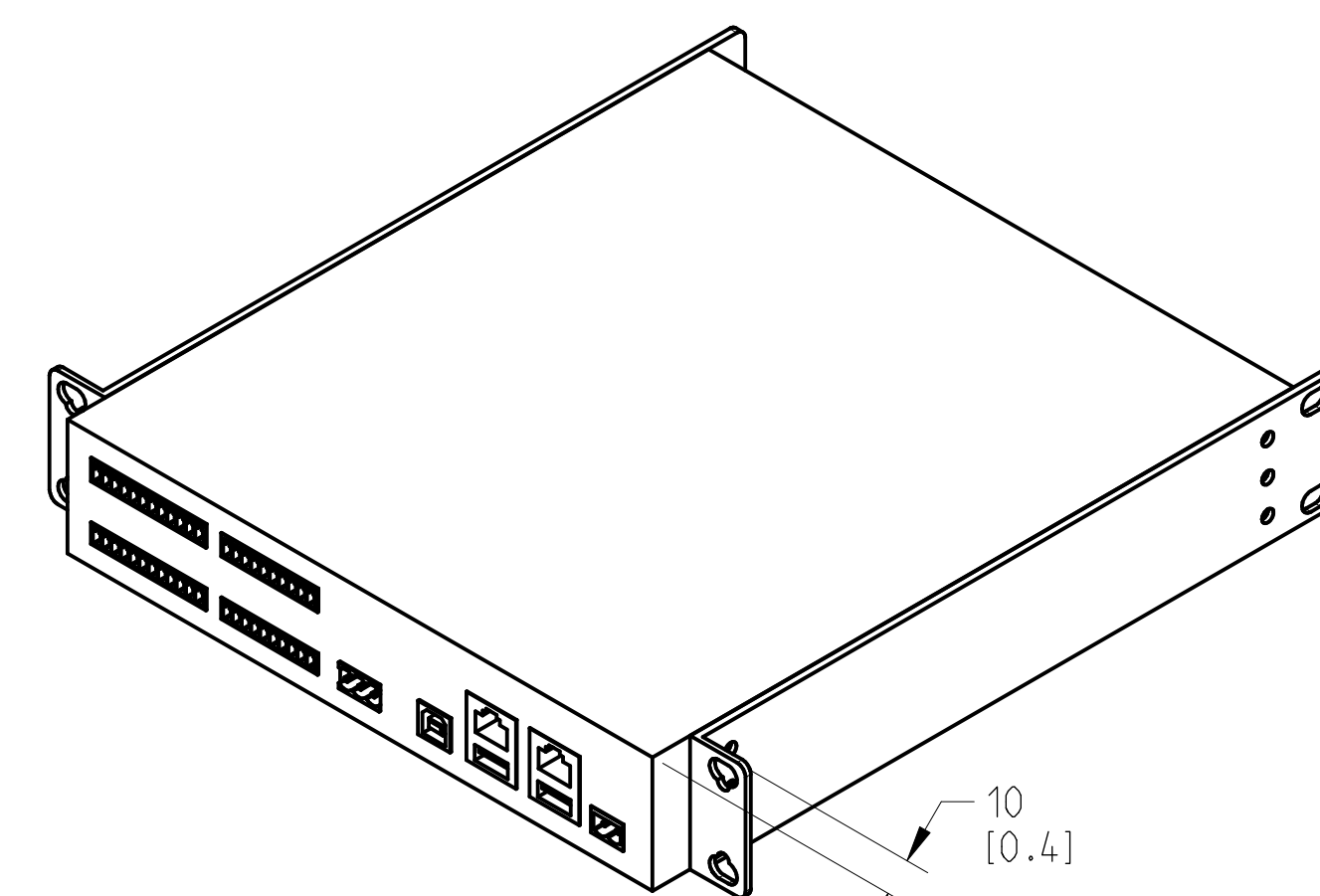
FRONT FACING OUT



FRONT VIEW



VIEW A-A
REAR VIEW



REAR FACING OUT

- NET WEIGHT OF Q-SYS IO-8 FLEX APPROXIMATELY 2.9 LBS [1.3 KG.]. MOUNTING HARDWARE IS ADDITIONAL WEIGHT.
- TOLERANCES (MM): X ± 3, ANGLES: ± 1°.
- DIMENSIONS ARE IN MILLIMETERS [INCH].
- CHASSIS DESIGNED TO MEET 1/2 U RACK MOUNT SPECIFICATION IEC60297-3-100.
- THE FRONT MOUNTING CONFIGURATION IS DIMENSIONED. THE REAR MOUNTING CONFIGURATION IS SIMILAR.

NOTES: UNLESS OTHERWISE SPECIFIED.

UNLESS OTHERWISE SPECIFIED, DIMENSIONS IN MILLIMETERS (IN). TOLERANCES ARE: DECIMALS DECIMALS ANGLES .X±.5(.02) .XX±.25(.010) ± 1/2 DECURR EDGES .25 (1.010) R MAX	DESIGNER	QSC, LLC 1675 MACARTHUR BOULEVARD COSTA MESA, CA 92626	SIZE	CAGE CODE	DRAWING NO.	REV	
	ENG. SERVICES		D	00PW4	FG-112300-2D-C	A	
	ENGINEER		SCALE	0.500	DO NOT SCALE DRAWING	SHEET	1 OF 1
	TECHNICAL DIRECTOR						
MATERIAL	MANUFACTURING ENGINEER						
FINISH	DRAWING INFO: FG-112300-2D-C-A.1						
	MODEL INFO: FG-112300-3D-C-A.1						