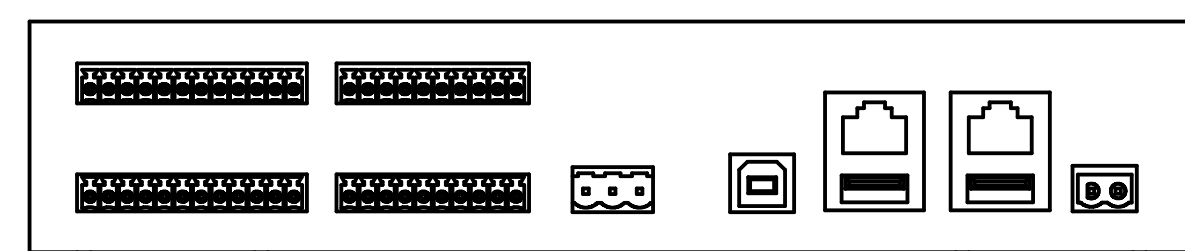
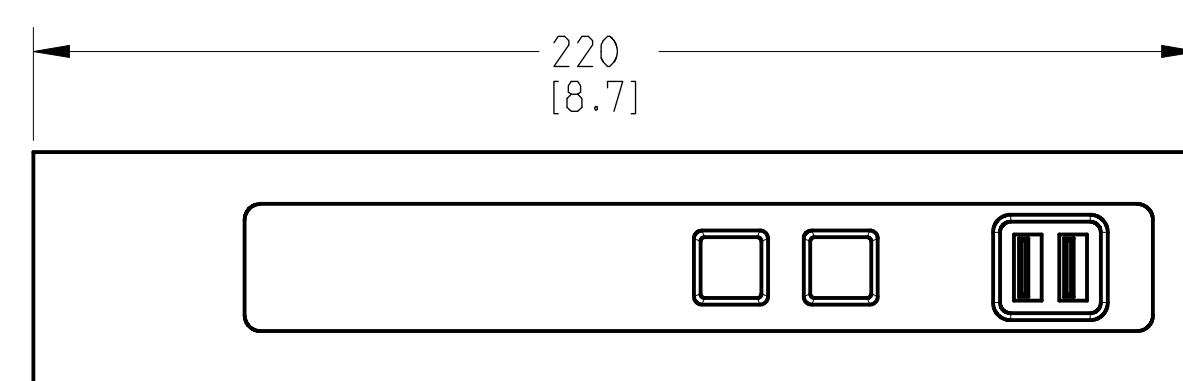
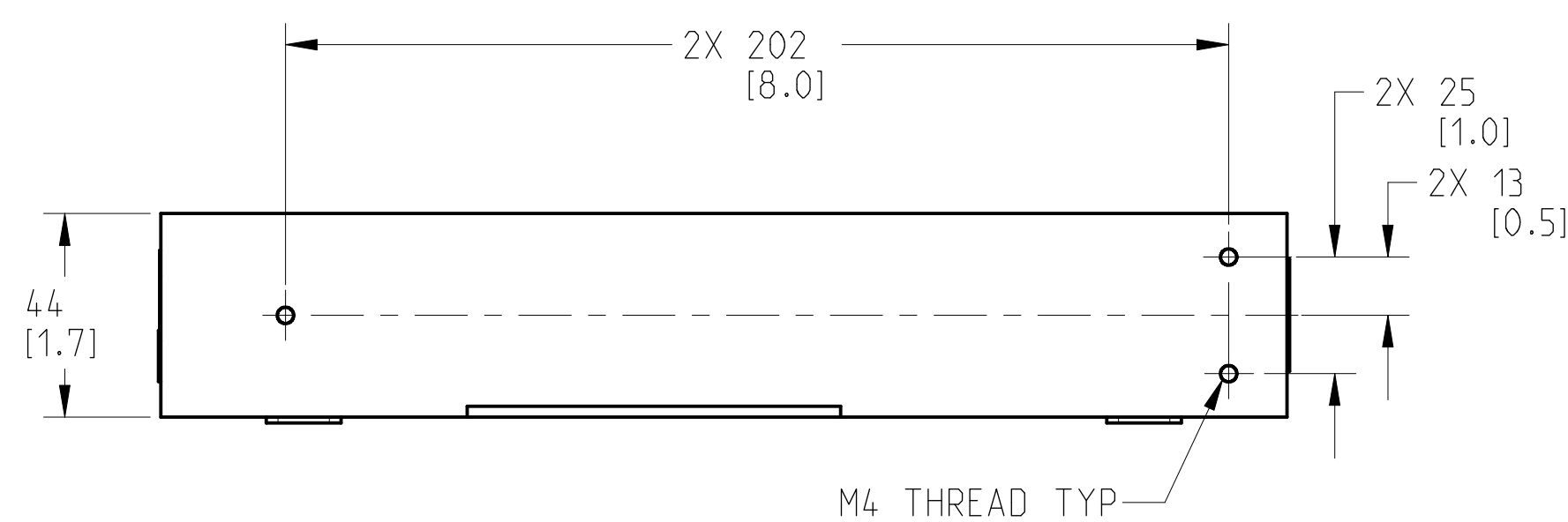


THIS DOCUMENT CONTAINS PROPRIETARY INFORMATION WHICH IS THE PROPERTY OF QSC, LLC. THAT MAY NOT BE DISCLOSED, REPRODUCED OR USED WITHOUT EXPRESS WRITTEN CONSENT FROM QSC, LLC.

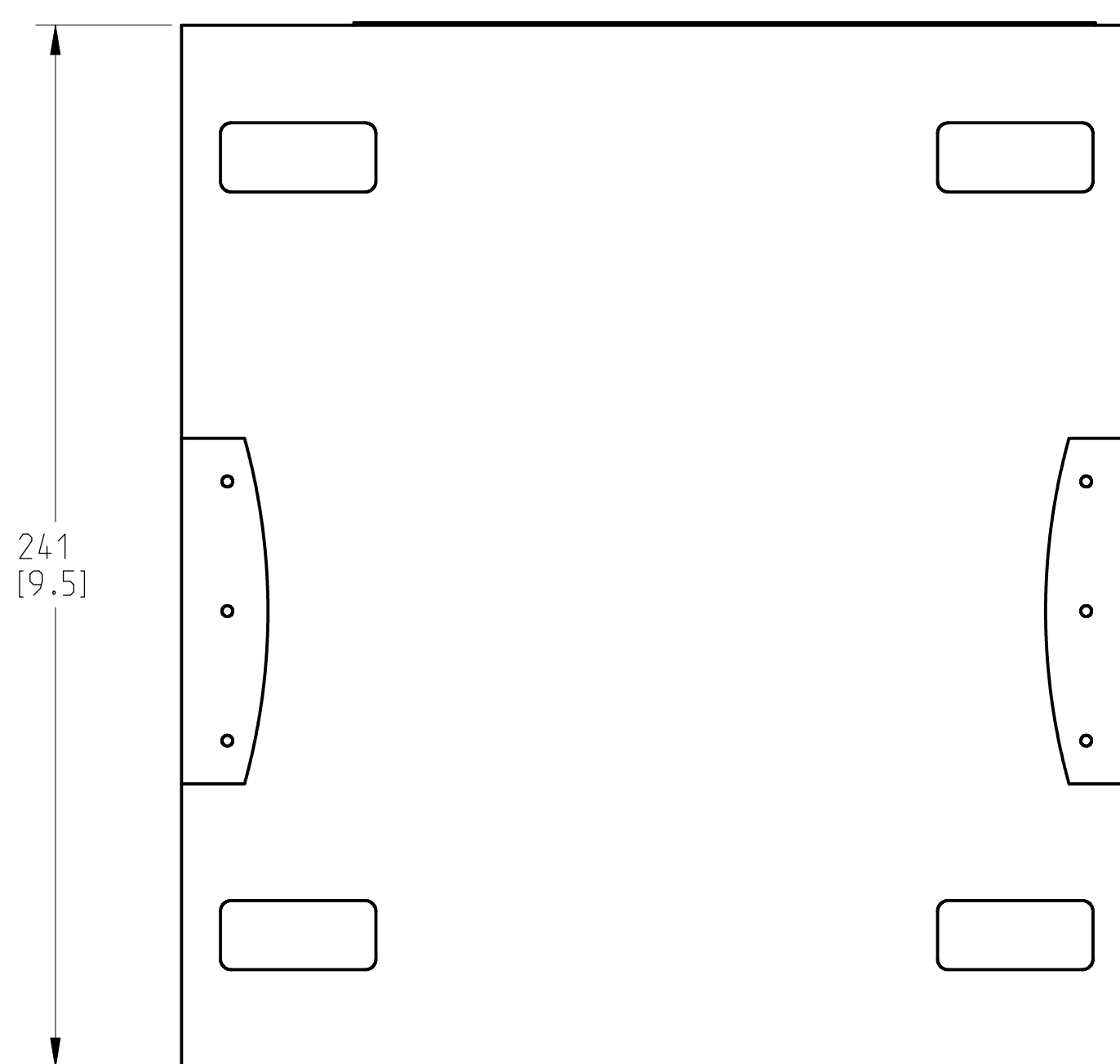
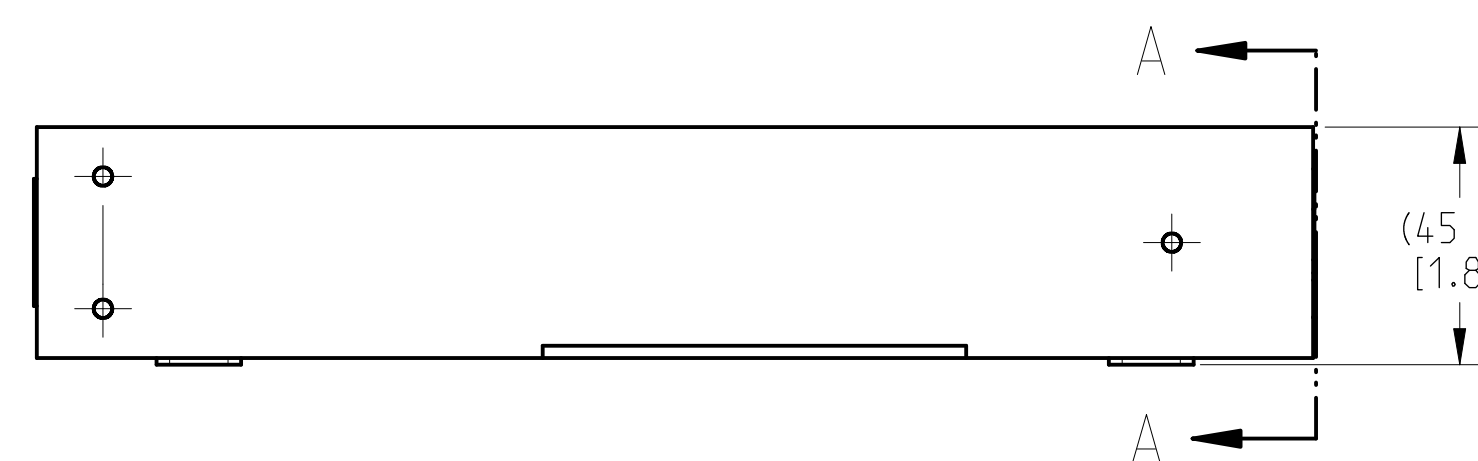
REVISIONS			
REV	DESCRIPTION	BY	DATE
A	RELEASE FOR SALES AND MARKETING	ES	31-MAY-17



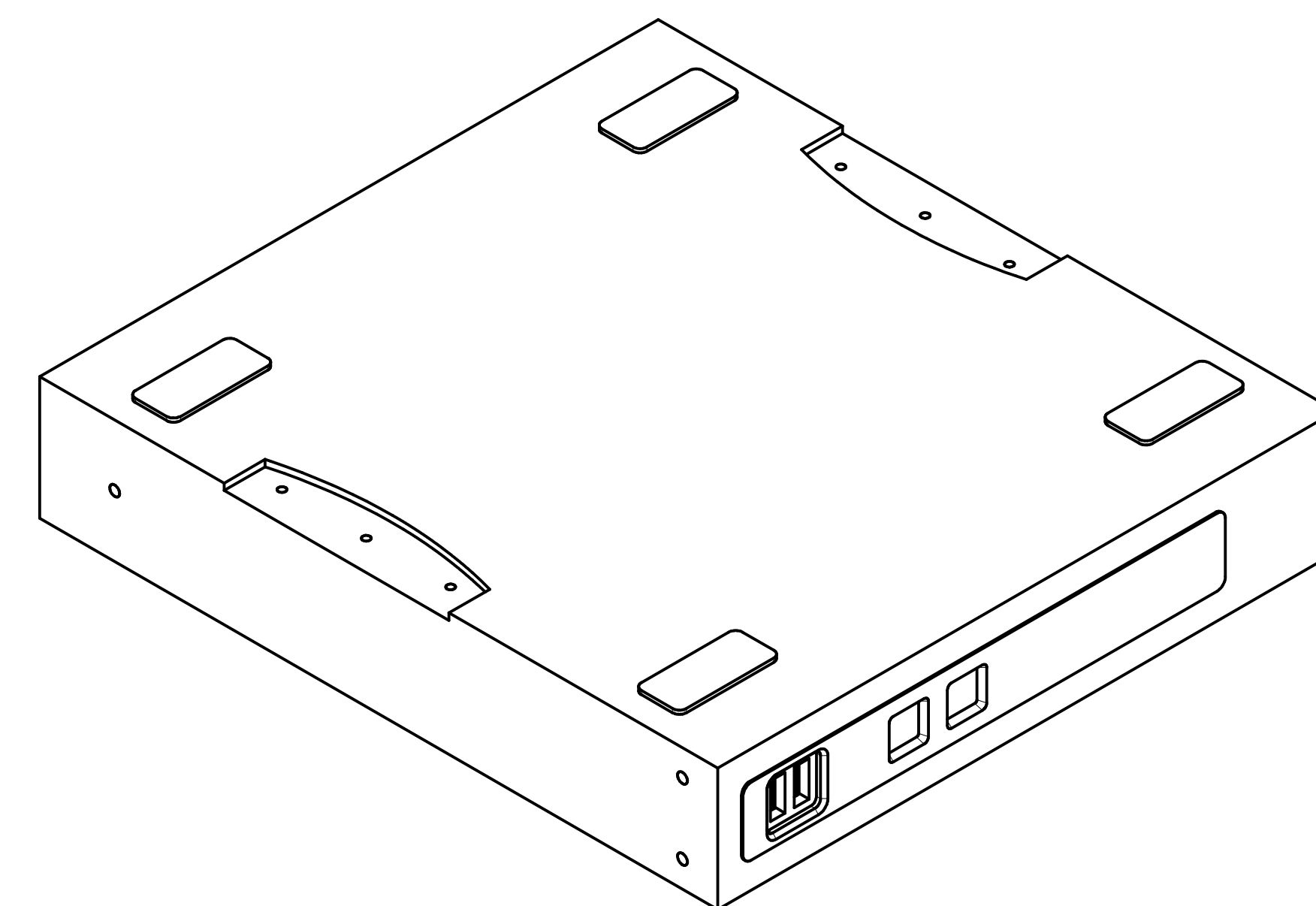
VIEW A-A
REAR VIEW



FRONT VIEW



BOTTOM VIEW



4. CHASSIS DESIGNED TO MEET 1/2 U RACK MOUNT SPECIFICATION IEC60297-3-100.
3. DIMENSIONS ARE IN MILLIMETERS [INCH].
2. TOLERANCES (MM): X ± 3, ANGLES: ± 1°.
1. NET WEIGHT OF Q-SYS 10-8 FLEX APPROXIMATELY 2.9 LBS [1.3 KG.]. MOUNTING HARDWARE IS ADDITIONAL WEIGHT.

NOTES: UNLESS OTHERWISE SPECIFIED.

UNLESS OTHERWISE SPECIFIED, DIMENSIONS IN MILLIMETERS (IN). TOLERANCES ARE: DECIMALS .XX ± .021 ANGLES ± 1/2 DECURR EDGES .25 (1.010) R MAX MATERIAL FINISH	DESIGNER	QSC, LLC 1675 MACARTHUR BOULEVARD COSTA MESA, CA 92626	SIZE	CAGE CODE	DRAWING NO.	REV	
	ENGINEER		D	00PW4	FG-112300-2D-E	A	
	TECHNICAL DIRECTOR		DRAWING INFO:	SCALE:	DO NOT SCALE DRAWING	SHEET	1 OF 1
	MANUFACTURING ENGINEER		FG-112300-2D-E-A.1	0.700			