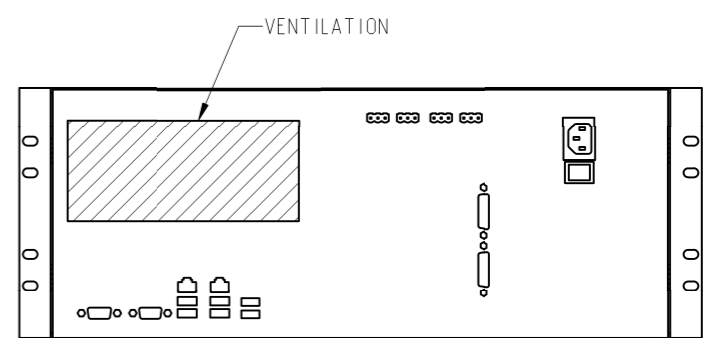
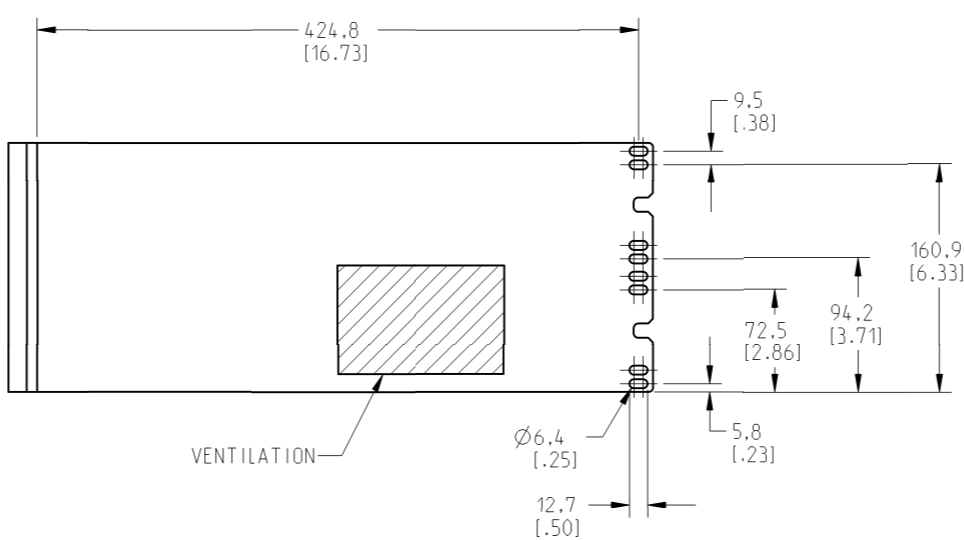
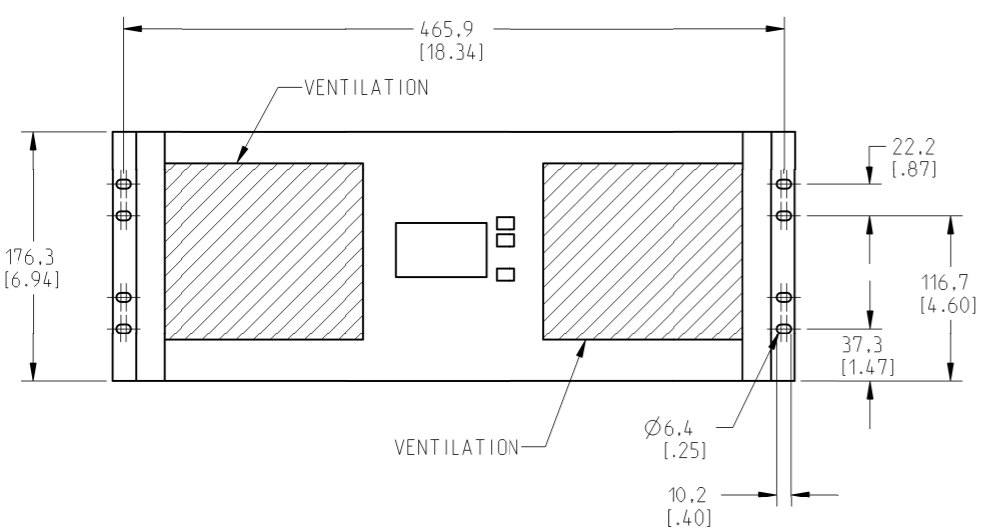
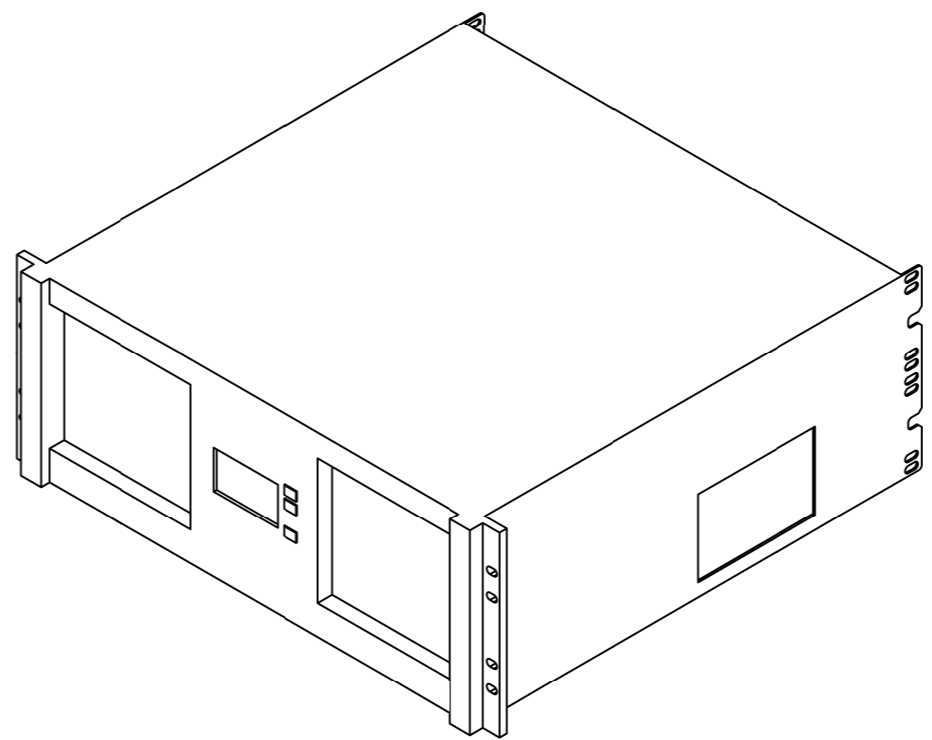
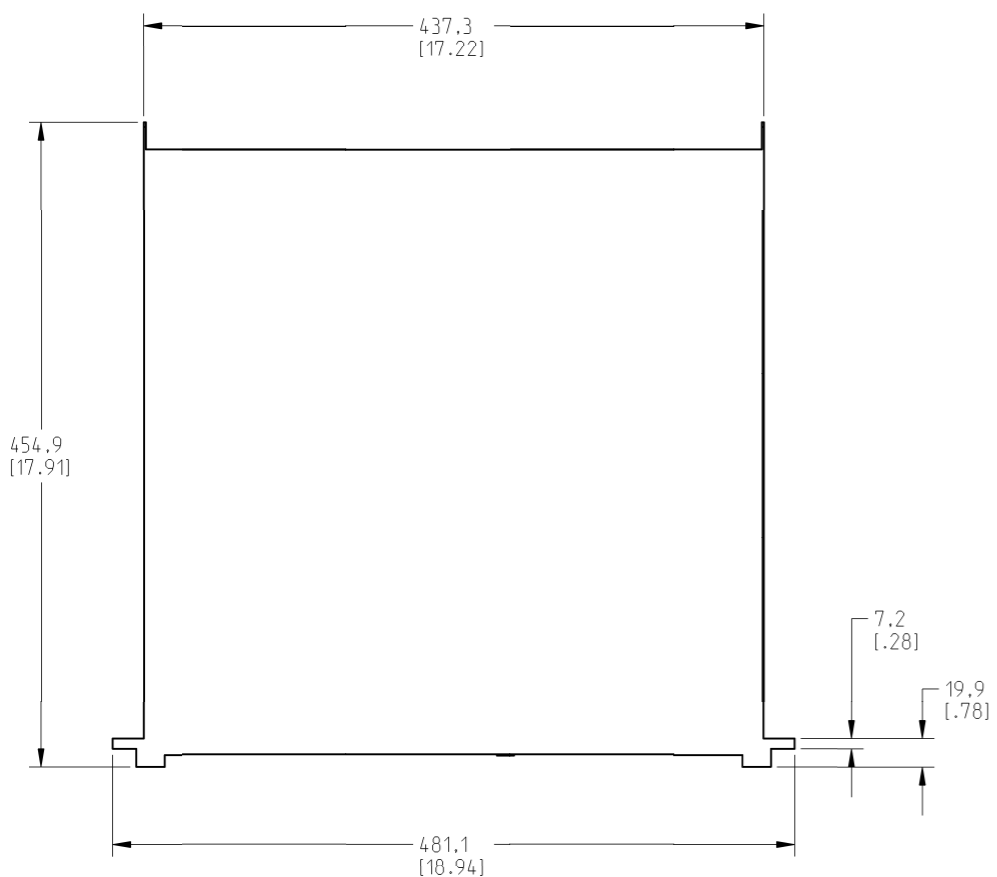


THIS DOCUMENT CONTAINS PROPRIETARY INFORMATION WHICH IS THE PROPERTY OF QSC AUDIO PRODUCTS. THAT MAY NOT BE DISCLOSED, REPRODUCED OR USED WITHOUT EXPRESS WRITTEN CONSENT FROM QSC AUDIO PRODUCTS.

REVISIONS					
REV	ECO	DESCRIPTION	BY	EFF DATE	ISSUED
A		RELEASE FOR SALES AND MARKETING	VU	20-JUN-14	DD



- 3. DIMENSIONS ARE IN MILLIMETER [INCH]
 - 2. TOLERANCES (MM): X ±3, ANGLE: ±1
 - 1. NET WEIGHT APPROX 20 KG [44 LBS] WITHOUT MEDIA DRIVE.
- NOTES: UNLESS OTHERWISE SPECIFIED

UNLESS OTHERWISE SPECIFIED DIMENSIONS IN MILLIMETERS (IN) TOLERANCES ARE: DECIMALS .X±.01 DECIMALS .XX±.001 ANGLES ±1/2 DEBURR EDGES .25 (0.010) R MAX MATERIAL FINISH	APPROVALS	DATE (DD-MMM-YY)	QSC AUDIO PRODUCTS, LLC 1675 MACARTHUR BOULEVARD COSTA MESA, CA 92626 Q-SYS, FINISHED, CORE 3100
	DRAWN V. VU	13-JUN-14	
	CHECKED D. HOCH	16-JUN-14	
	MFC ENG N/A		
QA CHECK N/A			
DRAWING INFO: FG-114200-2D.A.1	SIZE D	CAGE CODE 00PW4	DRAWING NO. FG-114200-2D
MODEL INFO: FG-114200-3D.A.1	SCALE 0.375	DO NOT SCALE DRAWING	SHEET 1 OF 1