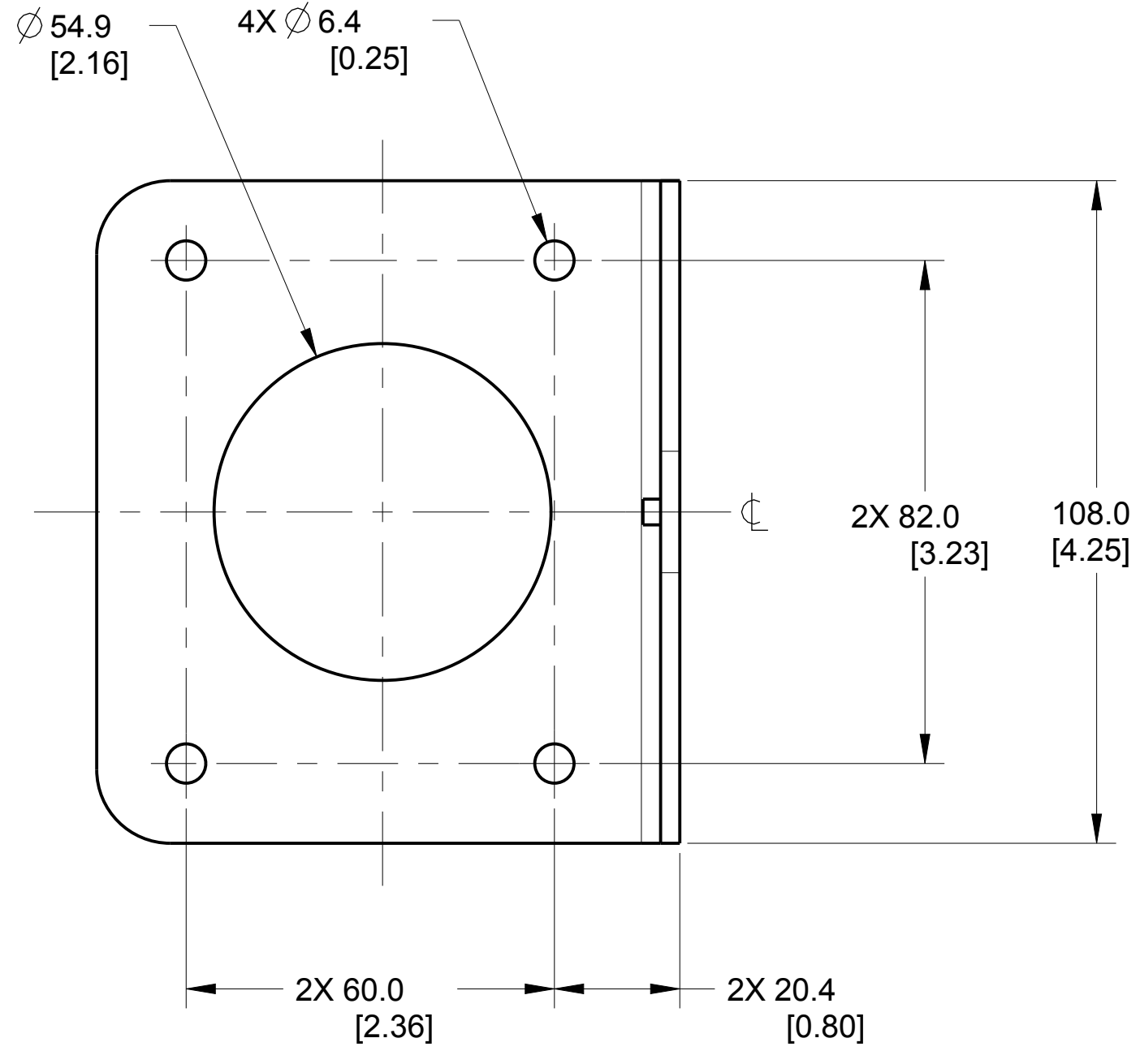
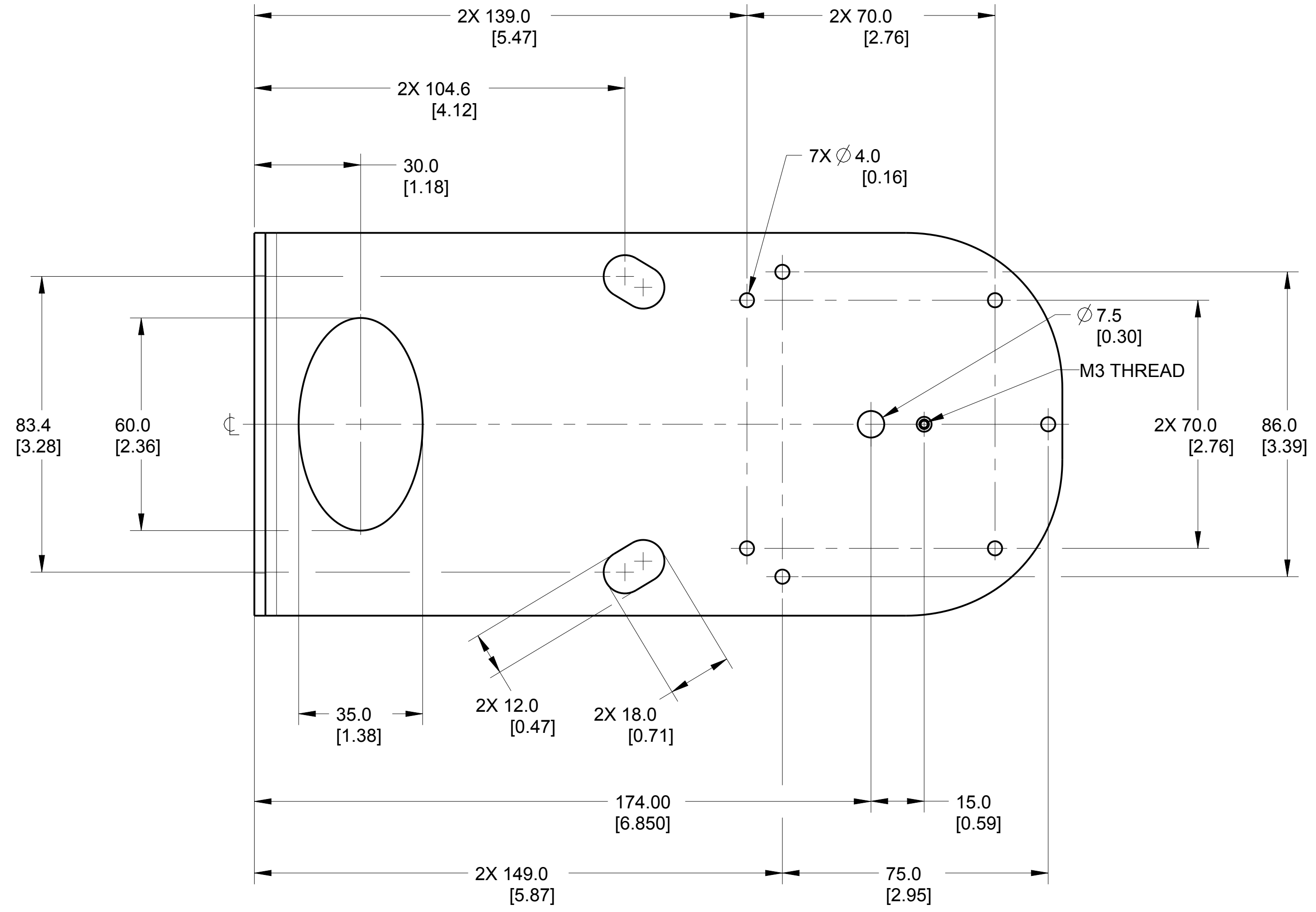
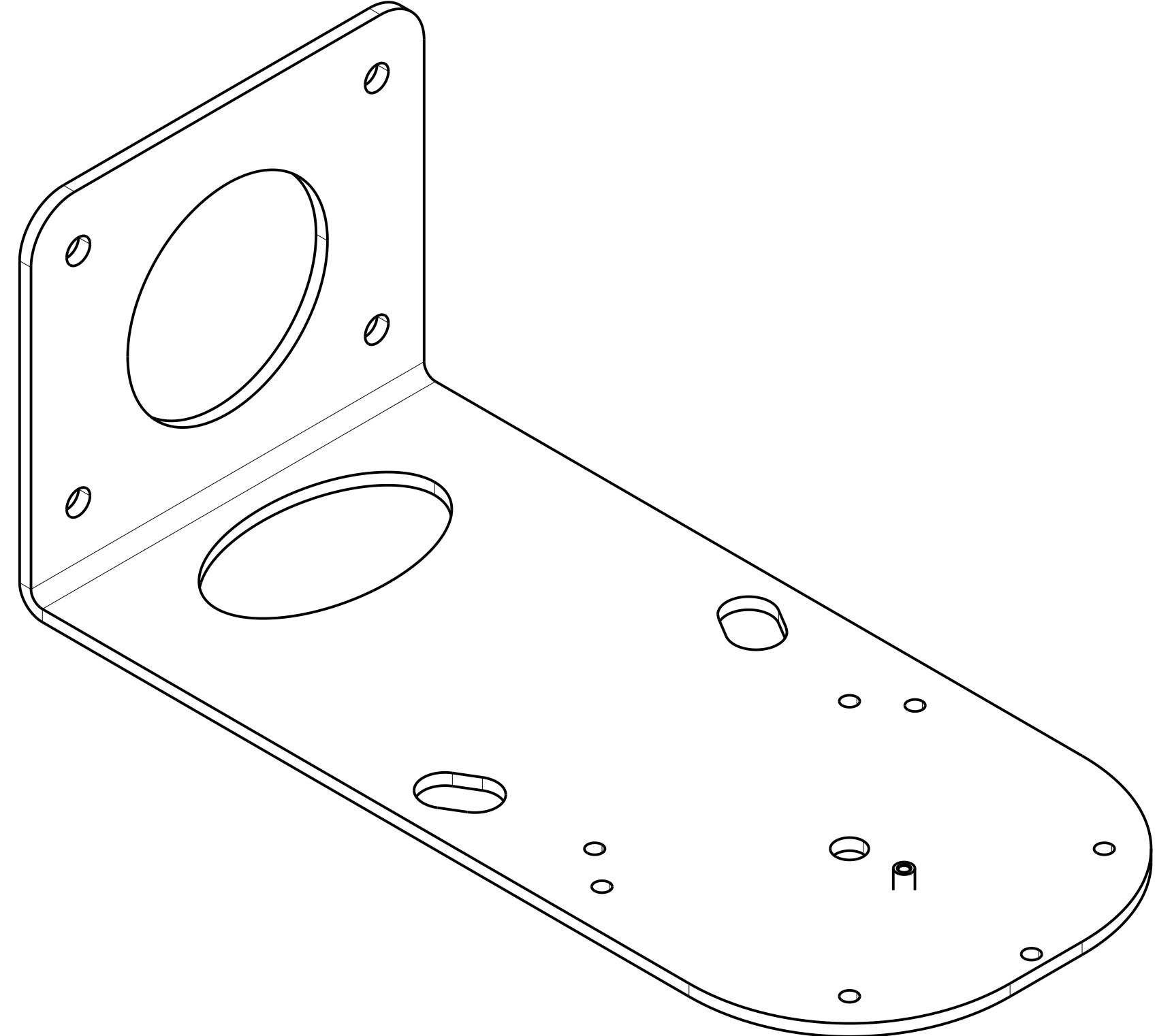
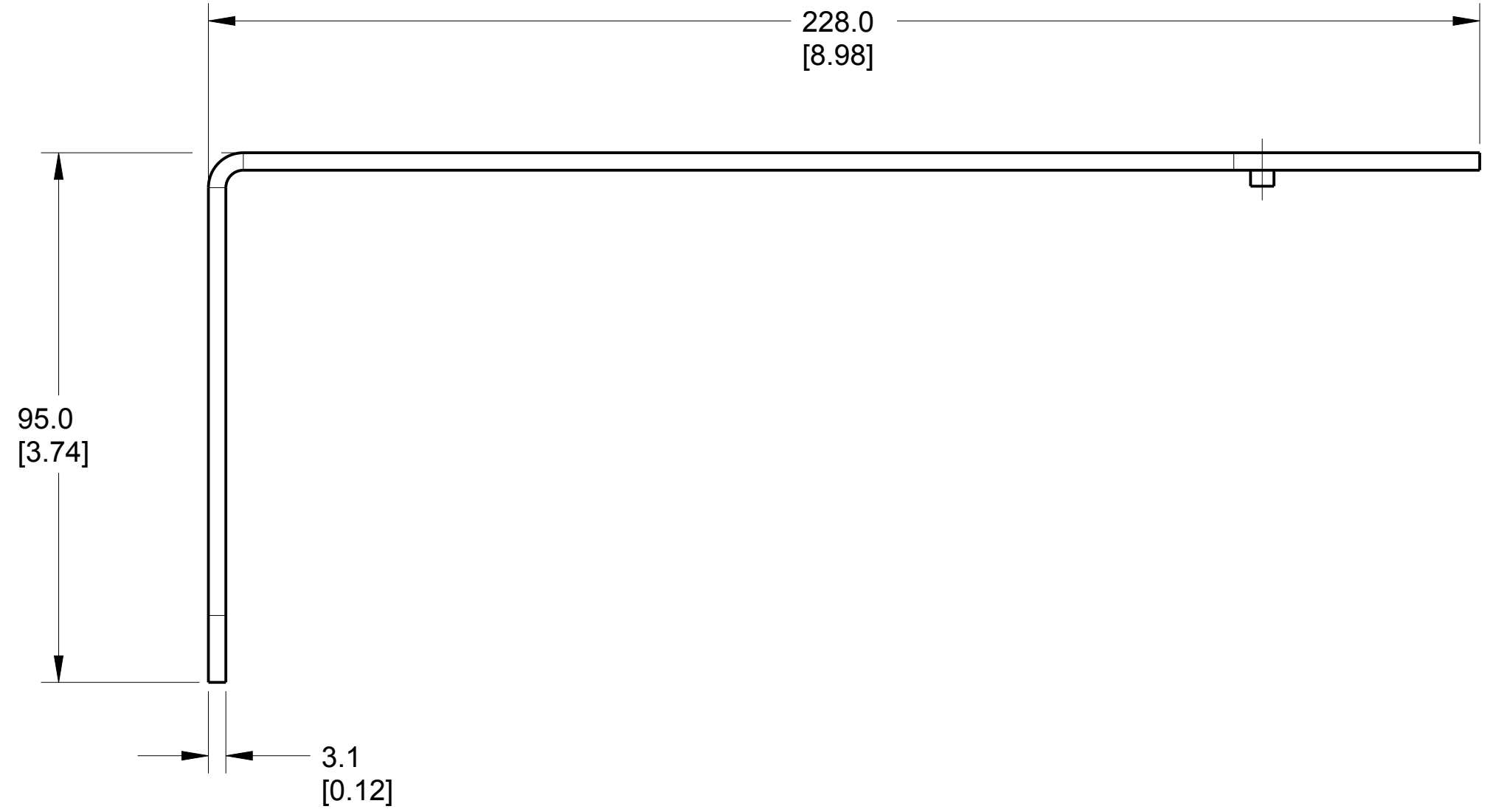


THIS DOCUMENT CONTAINS PROPRIETARY INFORMATION WHICH IS THE PROPERTY OF QSC, LLC. THAT MAY NOT BE DISCLOSED, REPRODUCED OR USED WITHOUT EXPRESS WRITTEN CONSENT FROM QSC, LLC.

REVISIONS			
REV	DESCRIPTION	BY	DATE
A	RELEASE FOR SALES AND MARKETING	ES	07-DEC-16



- 4. PARTS ARE SYMMETRICAL ABOUT CENTER LINES UNLESS OTHERWISE NOTED.
- 3. DIMENSIONS ARE IN MILLIMETERS [INCH].
- 2. TOLERANCES (MM): X ± 3, ANGLES: ± 1°.
- 1. NET WEIGHT APPROX. 1.5 LBS [0.68 KG].

NOTES: UNLESS OTHERWISE SPECIFIED

UNLESS OTHERWISE SPECIFIED DIMENSIONS IN MILLIMETERS [IN] TOLERANCES ARE: DECIMALS DECIMALS ANGLES X± .5[.02] XX± .25[.01] ± 1/2 DEBURR EDGES .25 [0.01] R MAX	DESIGNER	ENG. SERVICES	QSC, LLC 1675 MACARTHUR BOULEVARD COSTA MESA, CA 92626	WALL MOUNT, BLK/W HW, CAMERA FINISHED			
	ENGINEER						
	MATERIAL	TECHNICAL DIRECTOR		SIZE	CAGE CODE	DRAWING NO.	REV
	FINISH	MANUFACTURING ENGINEER		D	00PW4	CH-001456-2D	A
DRAWING INFO: CH-001456-2D.A.0		MODEL INFO: CH-001456-3D.A.0	SCALE: 1.000	DO NOT SCALE DRAWING	SHEET	1 OF 1	