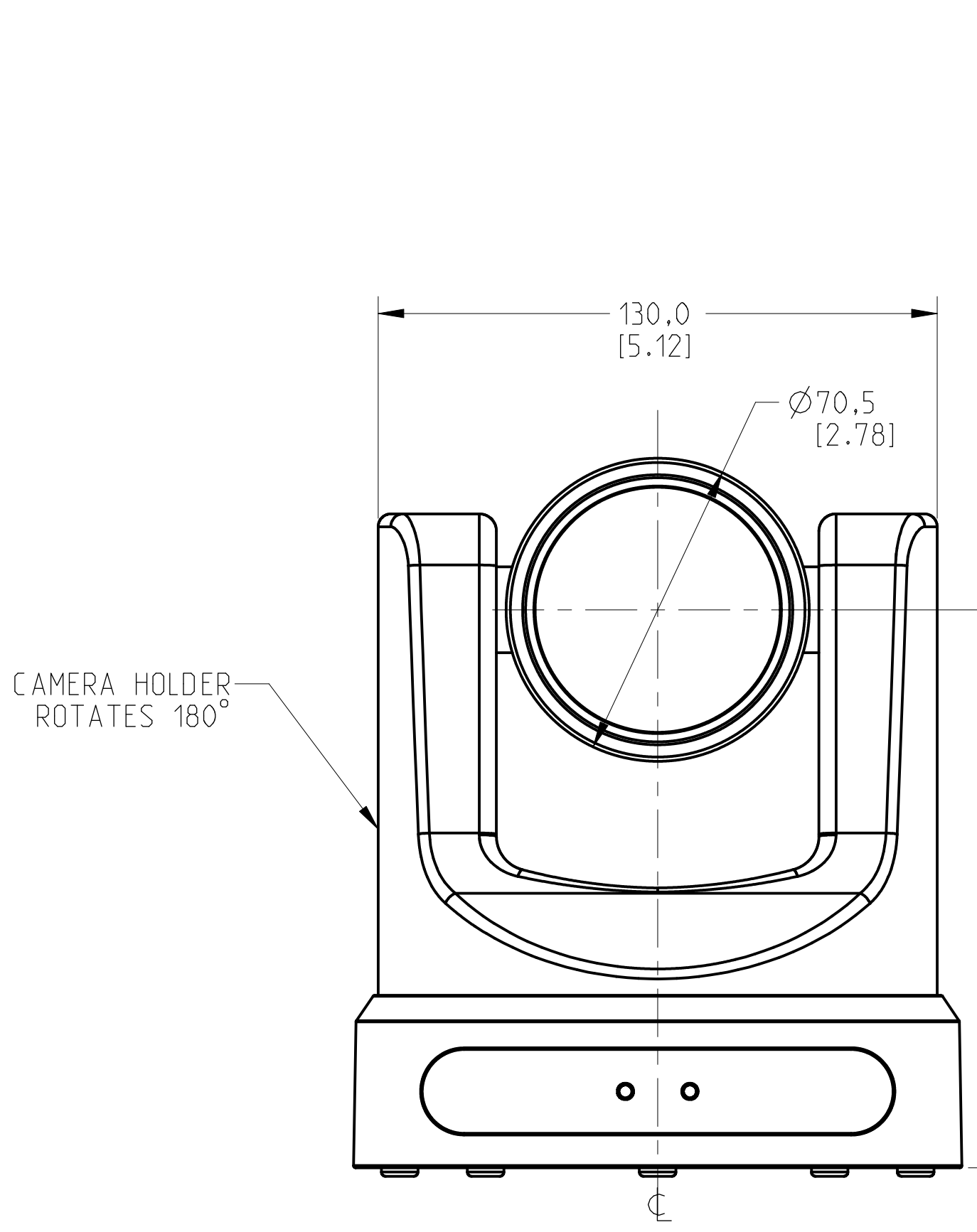
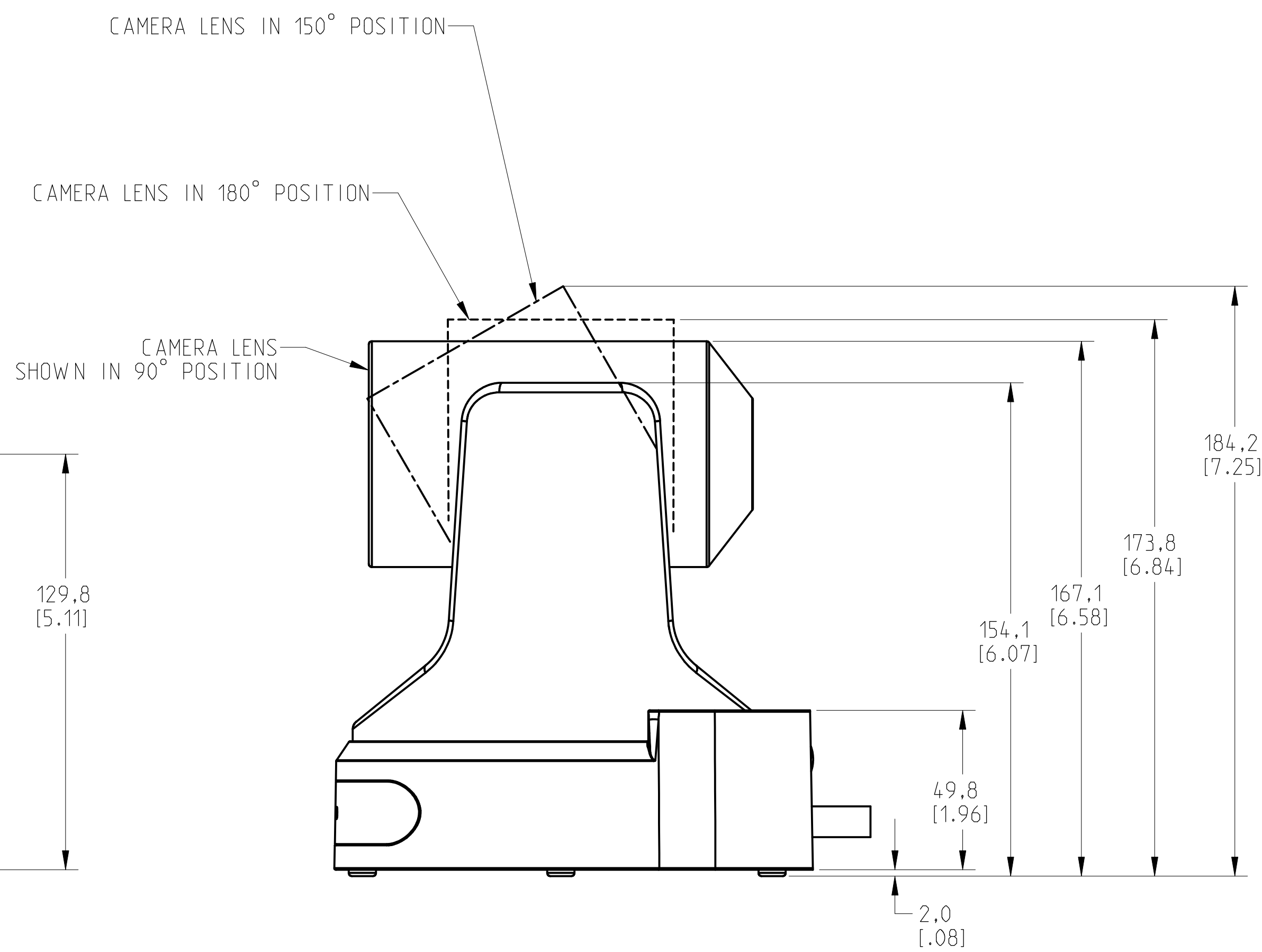


THIS DOCUMENT CONTAINS PROPRIETARY INFORMATION WHICH IS THE PROPERTY OF QSC, LLC. THAT MAY NOT BE DISCLOSED, REPRODUCED OR USED WITHOUT EXPRESS WRITTEN CONSENT FROM QSC, LLC.

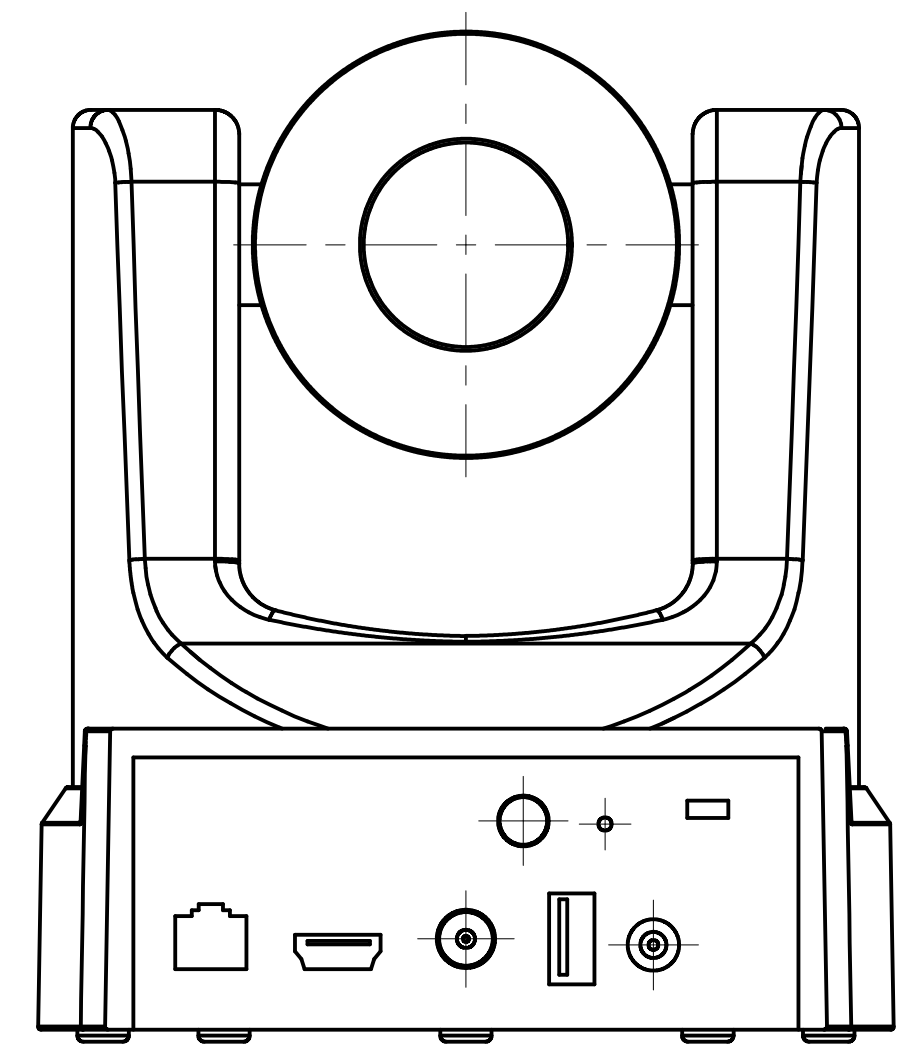
REVISIONS			
REV	DESCRIPTION	BY	DATE
A	RELEASE FOR SALES AND MARKETING	SS	15-NOV-16



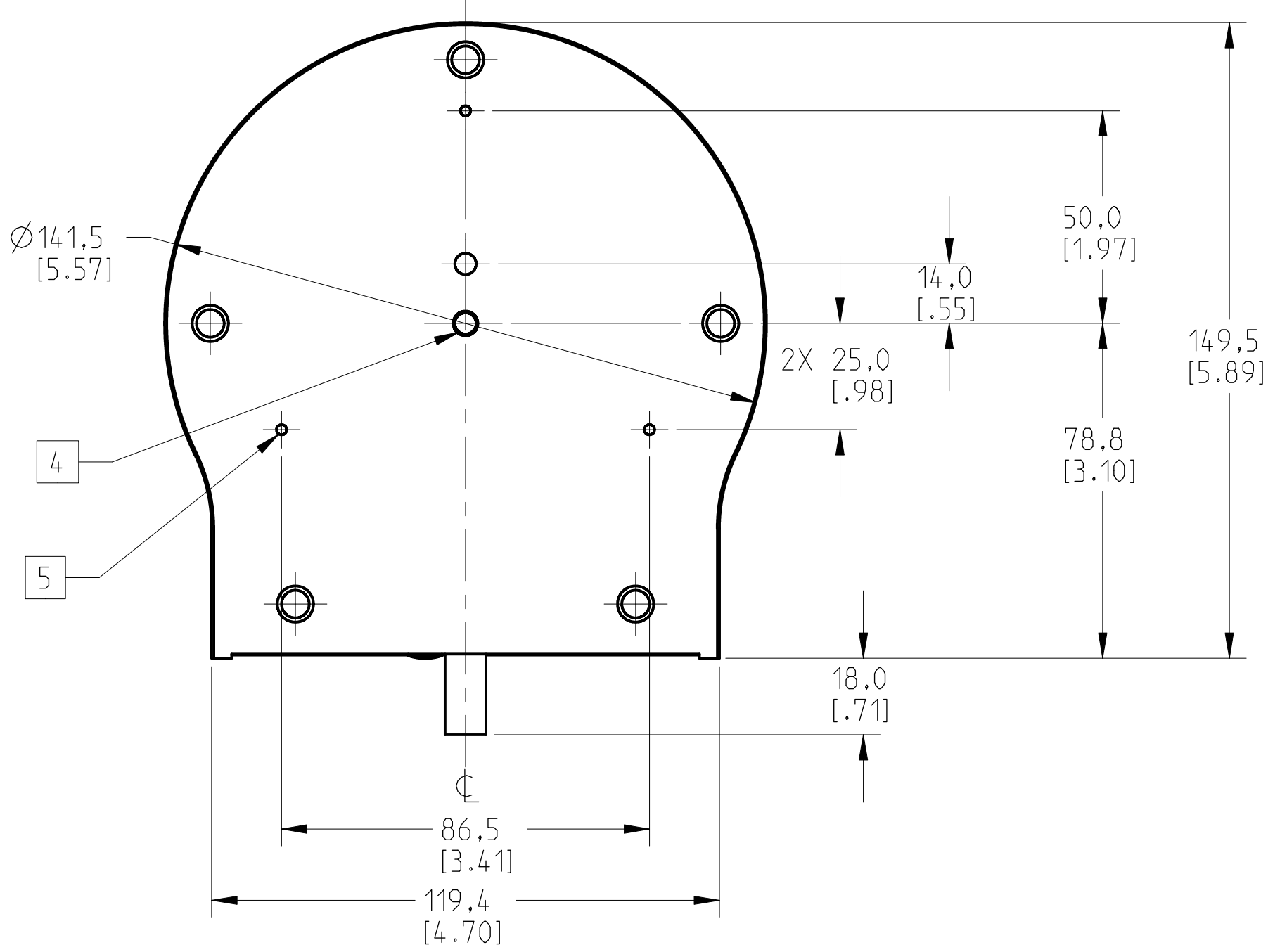
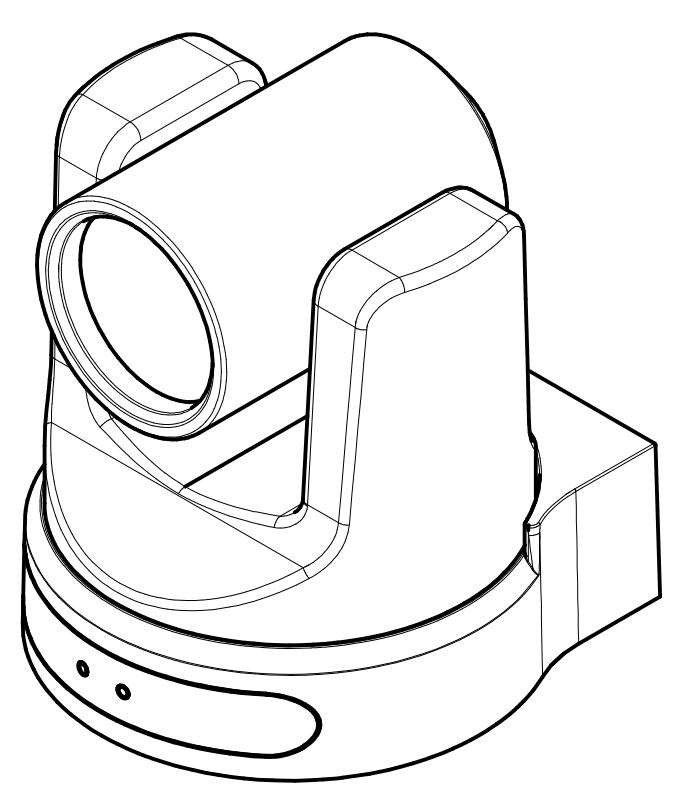
FRONT VIEW



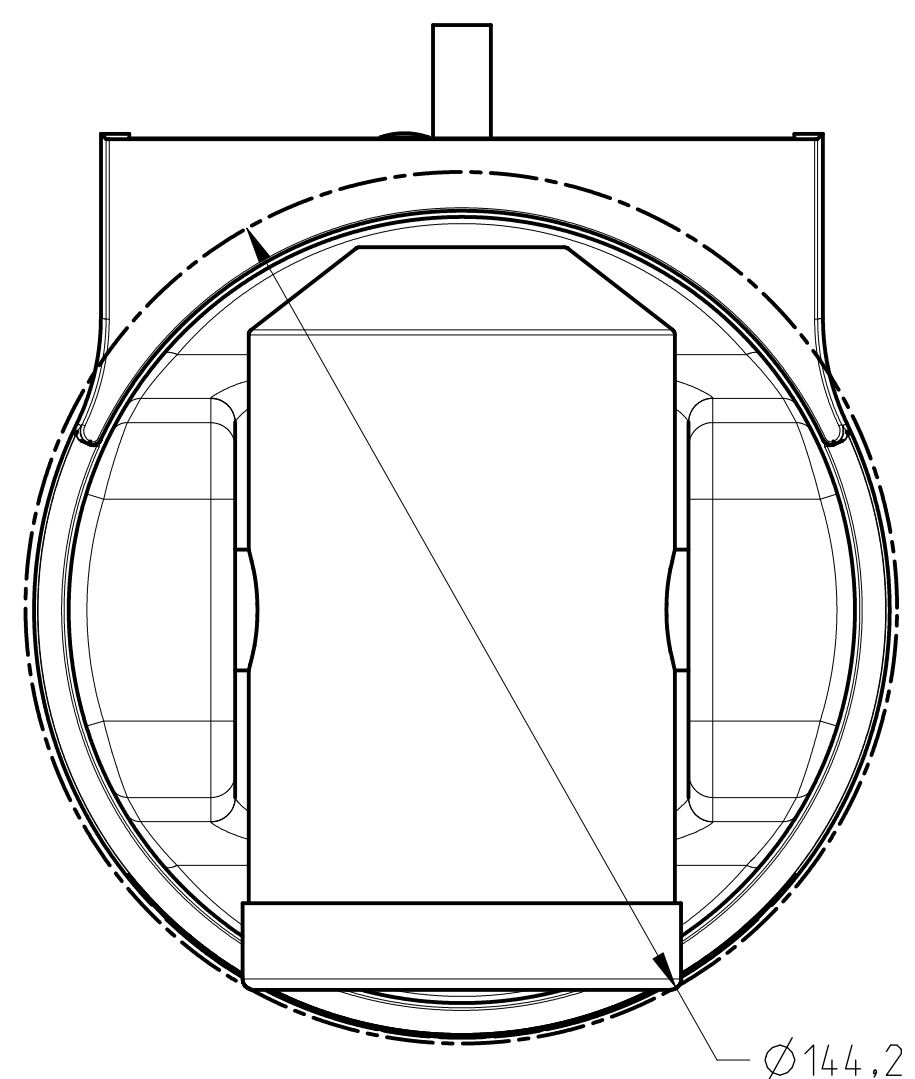
SIDE VIEW



REAR VIEW



BOTTOM VIEW



TOP VIEW WITH LENS CAP

- 5 BRACKET MOUNTING, 3X M4x40 THREAD
- 4 MOUNTING POINT, 1/4-20 THREAD.
- 3. PARTS ARE SYMMETRICAL ABOUT CENTER LINES UNLESS OTHERWISE NOTED.
- 2. TOLERANCES (MM): X ± 3, ANGLES: ± 1°.
- 1. NET WEIGHT APPROX. 3.1 LBS (1.4 KG)

NOTE: UNLESS OTHERWISE SPECIFIED

UNLESS OTHERWISE SPECIFIED DIMENSIONS IN MILLIMETERS (IN)	DESIGNER	QSC	QSC, LLC 1675 MACARTHUR BOULEVARD COSTA MESA, CA 92626
	ENGINEER		
TOLERANCES ARE: DECIMALS .XX ± .01 FRACTIONS XX ± .001 ANGLES ± 1/2 DECURR EDGES .25 (1.01) R MAX	TECHNICAL DIRECTOR	CAMERA, PTZ-12X72, 12V, GY, FINISHED	
MATERIAL	MANUFACTURING ENGINEER		
FINISH	DRAWING INFO: FG-222012-2D-A.1	SIZE D	CAGE CODE 00PW4
	MODEL INFO: FG-222012-3D-A.1	DRAWING NO. FG-222012-2D	REV A
		SCALE: 0.800	DO NOT SCALE DRAWING SHEET 1 OF 1