



## Attero Tech by QSC unD6IO-BT

Dante™/AES67 network audio wallplate  
4x2 multi-I/O with Bluetooth audio

### Features

- Dante Domain Manager™ ready
- Simple one button pairing/connect process, multiple pairing modes - manual (default), auto and exclusive
- Defeatable pairing button for restricted use applications with third-party control systems
- Compatible with most smartphones, Apple iPads, and Android tablets - both media streaming and smartphone bridging
- RCA inputs and 3.5 mm input (each summed to mono) can be selected via software, individually or in combination
- Ships with both black and white Decora plates and fascia inserts
- Product accessory kit available



### Applications: Hotel Ballrooms • Spas • Fitness Facilities Convention Centers • Education • Conference Center

The unD6IO-BT Dante/AES67 audio interface with Bluetooth® is a cost-effective, multi-I/O wall plate. The unD6IO-BT features stereo Bluetooth wireless audio input connectivity along with (2) RCA line level inputs and a 3.5 mm TRS line level input. A 3.5 mm TRS line level output on the front is also included. The unD6IO-BT is designed to fit into most dual-gang US junction boxes and is PoE enabled, so all connectivity (power, control and audio data) is provided by a single CAT-5e/6 cable. The wall plate's unique mix of consumer-style wired and wireless connectivity allows easy connection to a wide variety of user devices on a Dante or AES67 network eliminating the possibility of ground loop issues or other audio problems commonly found in consumer devices.

The unD6IO-BT integrates seamlessly into the Q-SYS™ Ecosystem. In addition to AES67 network audio compatibility, a Q-SYS Designer control plugin is available for the unD6IO-BT via the Q-SYS Designer Asset Manager, allowing you to control and monitor the unD6IO-BT via native Q-SYS touch screen controllers.

The "call bridging" mode provides call connectivity for Bluetooth-equipped devices within a modern conferencing system. The addition of Bluetooth connectivity provides simple bridging of far-end meeting participants for on-the-fly meeting productivity and backup conferencing connectivity in the case of VoIP and/or web-based conferencing service failures.

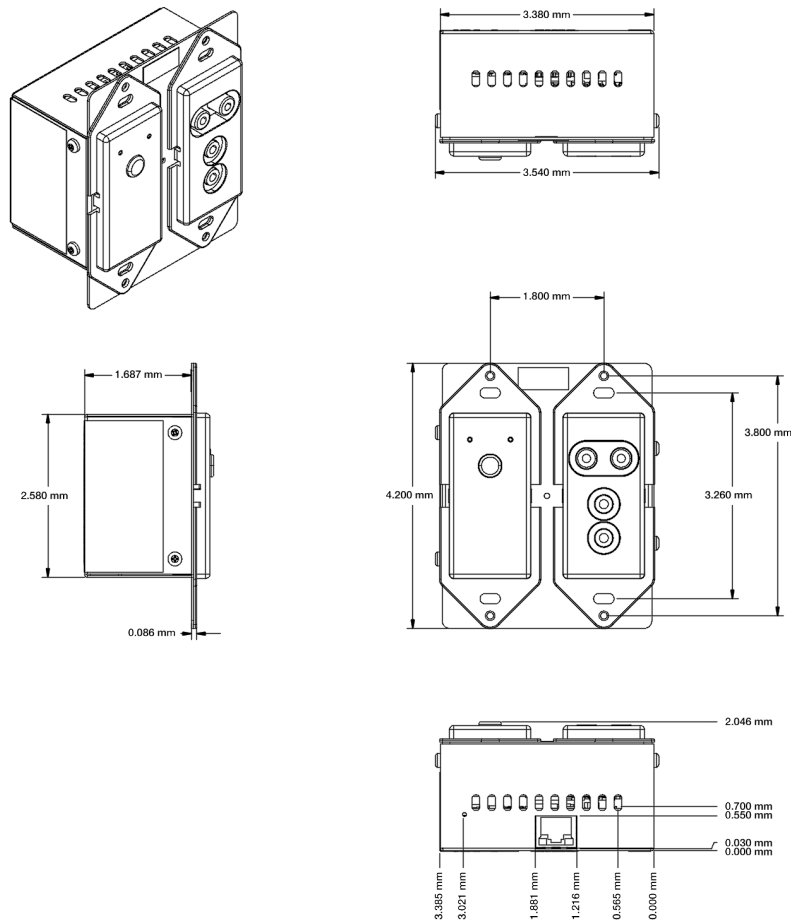
**Audio Routing Note:** The input configuration can be modified using the unIFY Control Panel software or other compatible controllers. Audio channels 1 and 2 route the stereo Bluetooth audio directly to Dante. The Dante transmitter channels 3 and 4 can be sourced from the RCA inputs, 3.5 mm inputs or a sum of each (RCA-L + 3.5 mm-L, and RCA-R + 3.5 mm-R) via the switchable input selection. Audio from Dante output channels 1 and 2 is sent to Output 1 and 2 respectively.

# unD6IO-BT Details

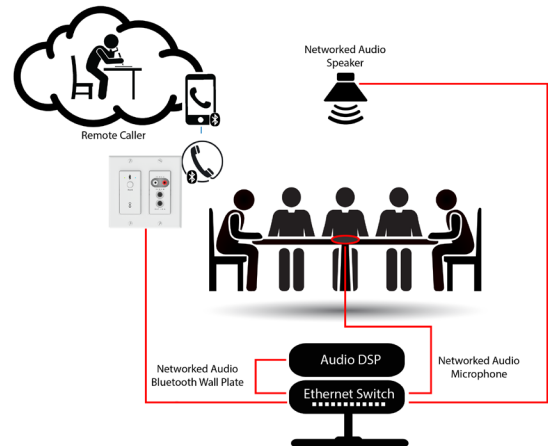
## Specifications

System Details	unD6IO-BT
Bluetooth® profile	A2DP - Stereo audio is streamed from a Bluetooth® device and onto the Dante network. HFP (Hands Free Profile) - duplex pairing to a cell phone for call bridging
Bluetooth® range	10 m (30 ft) minimum. Typical range is 15 - 23 m (50 - 75 ft)
RCA and 3.5 mm input	RF filtered line level, input source software selectable
Maximum input levels (3.5 mm / RCA):	+12 dBu
Output volume range	0 dB to -60 dB in 1 dB steps, software selectable
Output noise	<-90 dBu @ 0 dB gain
3.5 mm output	RF filtered line level
Maximum output level (3.5 mm)	+12 dBu
System THD	<.02% at any gain, input signal 3 dB below maximum (wired I/O only)
Certifications	FCC 47CFR Parts 15B and 18 (Class A), EN 55011, ICES-003, CE (EN55022 Class A and EN55024 Class A)
Product dimensions (H x W x D)	3.54 x 4.2 x 1.88 in (89.91 x 106.68 x 47.752 mm)
Shipping dimensions (H x W x D)	6 x 6 x 4 in (152.4 x 152.4 x 101.6 mm)
Shipping weight	1.00001682 lb (0.4536 kg)
Operating temperature	0°C - 40°C

## Dimensions:



## Bluetooth Call-Bridging Application Example:



This application diagram highlights the general system connectivity for a networked audio conferencing system utilizing Bluetooth call bridging with Attero Tech's call bridging enabled networked audio products.

