



QSC Power Amplifiers Technical Notes

PLD, CXD, CXD-Q, DPA, and DPA-Q Series (4-channel models)

Replacing the display module

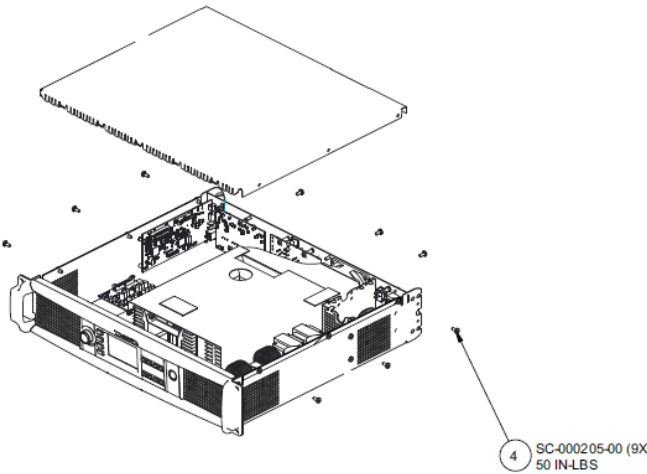
This technical note describes how to replace the display module on four-channel models in the PLD, CXD, CXD-Q, DPA, and DPA-Q Series power amplifiers.

Each amplifier serviced requires a new display module and faceplate label. The table below lists the required items for each amplifier model.

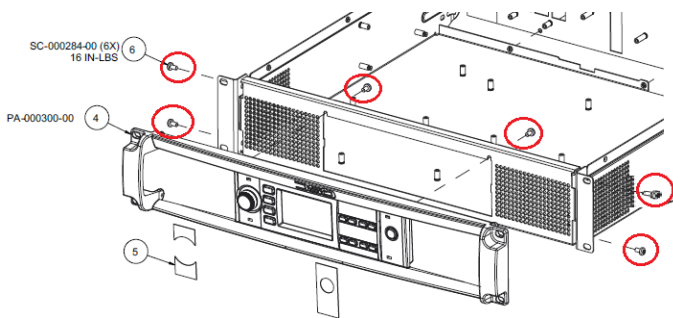
Product Series	Model	Part Number	Description	Quantity
PLD	PLD4.2	WP-220014-01	DISPLAY MODULE,CXD/DPA/PLD	1
		LB-000950-00	LABEL,FACEPLATE, PLD4.2	1
	PLD4.3	WP-220014-01	DISPLAY MODULE,CXD/DPA/PLD	1
		LB-000951-00	LABEL,FACEPLATE, PLD4.3	1
	PLD4.5	WP-220014-01	DISPLAY MODULE,CXD/DPA/PLD	1
		LB-000952-00	LABEL,FACEPLATE, PLD4.5	1
CXD	CXD4.2	WP-220014-01	DISPLAY MODULE,CXD/DPA/PLD	1
		LB-000957-00	LABEL,FACEPLATE, CXD4.2	1
	CXD4.3	WP-220014-01	DISPLAY MODULE,CXD/DPA/PLD	1
		LB-000958-00	LABEL,FACEPLATE, CXD4.3	1
	CXD4.5	WP-220014-01	DISPLAY MODULE,CXD/DPA/PLD	1
		LB-000959-00	LABEL,FACEPLATE, CXD4.5	1
DPA	DPA4.2	WP-220014-01	DISPLAY MODULE,CXD/DPA/PLD	1
		LB-001045-00	LABEL,FACEPLATE, DPA4.2	1
	DPA4.3	WP-220014-01	DISPLAY MODULE,CXD/DPA/PLD	1
		LB-001046-00	LABEL,FACEPLATE, DPA4.3	1
	DPA4.5	WP-220014-01	DISPLAY MODULE,CXD/DPA/PLD	1
		LB-001047-00	LABEL,FACEPLATE, DPA4.5	1
CXD-Q	CXD4.2-Q	WP-220015-01	DISPLAY MODULE,CXDQ/DPAQ	1
		LB-001067-00	LABEL,FACEPLATE, CXD4.2-Q	1
	CXD4.3-Q	WP-220015-01	DISPLAY MODULE,CXDQ/DPAQ	1
		LB-001026-00	LABEL,FACEPLATE, CXD4.3-Q	1
	CXD4.5-Q	WP-220015-01	DISPLAY MODULE,CXDQ/DPAQ	1
		LB-001027-00	LABEL,FACEPLATE, CXD4.5-Q	1
DPA-Q	DPA4.2-Q	WP-220015-01	DISPLAY MODULE,CXDQ/DPAQ	1
		LB-001048-00	LABEL,FACEPLATE, DPA4.2-Q	1
	DPA4.3-Q	WP-220015-01	DISPLAY MODULE,CXDQ/DPAQ	1
		LB-001049-00	LABEL,FACEPLATE, DPA4.3-Q	1
	DPA4.5-Q	WP-220015-01	DISPLAY MODULE,CXDQ/DPAQ	1
		LB-001050-00	LABEL,FACEPLATE, DPA4.5-Q	1

Tools and materials required

- #2 Phillips screwdriver
- Small, sharp hobby or craft knife (e.g., X-ACTO®)
- RTV or silicone adhesive
- Small flashlight (optional)



– Figure 1 –



– Figure 2 –

Procedure

1. Unplug the power cord from the amplifier and wait at least three minutes for the internal voltages to bleed down.
2. Set the amplifier upside-down and remove the bottom cover (the xxx4.2 models use seven screws and the others use nine). See Figure 1.
3. Lift the rear edge of the bottom cover up to about a 45-degree angle and pull it out of the slots in the faceplate.
4. On either side panel of the amplifier are two screws right behind the faceplate. Remove them. Also remove the two screws on the inside of the front panel. See Figure 2.
5. The faceplate can now be freed from the chassis. To do so, grasp both front ears of the faceplate and pull it straight forward.
6. Use the knife to clear away the adhesive on the ribbon cable header at the display module. Be careful to not damage the ribbon cable with the knife. Unlock the latches and detach the ribbon cable from the display module.
7. On the back of the faceplate, remove the six screws that attach it to the display module. Remove the module.
8. Peel off the faceplate labels from the sheet and affix them (#5 in Figure 2) to the new display module.
9. Place the new display module in the faceplate. Secure it with the six screws. Tighten them to a torque of 0.56 N-m or 5 in-lb.

10. Plug the ribbon cable into the module and press it in firmly so the header latches lock. Apply a drop of RTV or silicone adhesive to each side of the header to help prevent the plug backing out.
11. Reattach the faceplate to the chassis. Tighten the six screws to 1.8 N-m or 16 in-lb.
12. Hold the bottom cover at an angle so you can insert the hooks on the bottom cover into their slots in the faceplate. Attach the cover to the chassis. Tighten all the screws to 5.6 N-m or 50 in-lb.
13. Check your work and make sure everything is properly reassembled. Plug in the power cord and turn the amplifier on.
14. You should feel air blowing through the faceplate slots. After the amplifier finishes booting it should display the home screen.
15. The amplifier is ready to put back in use.

If you have any questions or concerns about this procedure, please contact QSC Technical Services Group:

Telephone: 800-772-2834 (US only) or +1 714-957-7150
E-mail: tech_support@qsc.com