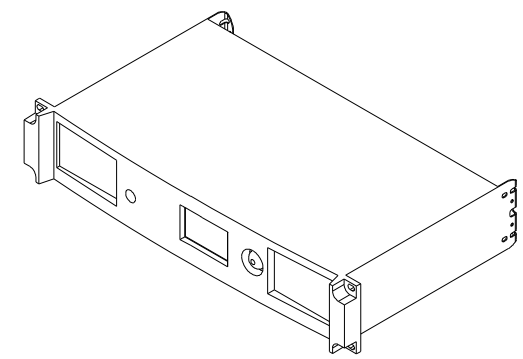
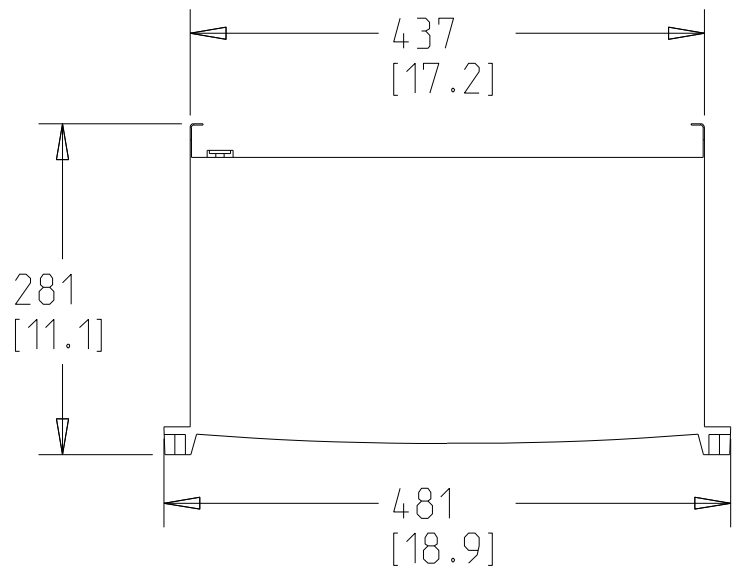


THIS DOCUMENT CONTAINS PROPRIETARY INFORMATION WHICH IS THE PROPERTY OF QSC AUDIO PRODUCTS, THAT MAY NOT BE DISCLOSED, REPRODUCED OR USED WITHOUT EXPRESS WRITTEN CONSENT FROM QSC AUDIO PRODUCTS.

REVISIONS					
REV	ECO	DESCRIPTION	BY	EFF DATE	ISSUED
A	-	RELEASE	JD	09-APR-13	-

D



SCALE 0.125

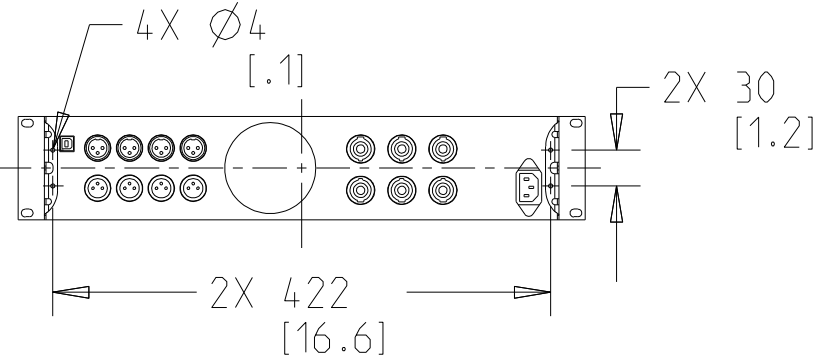
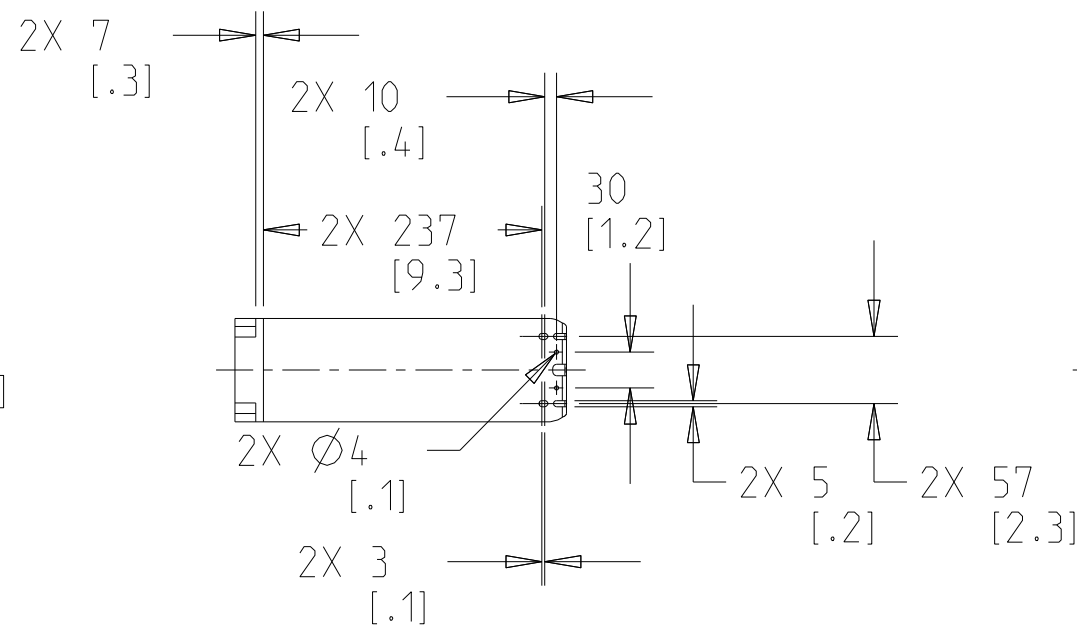
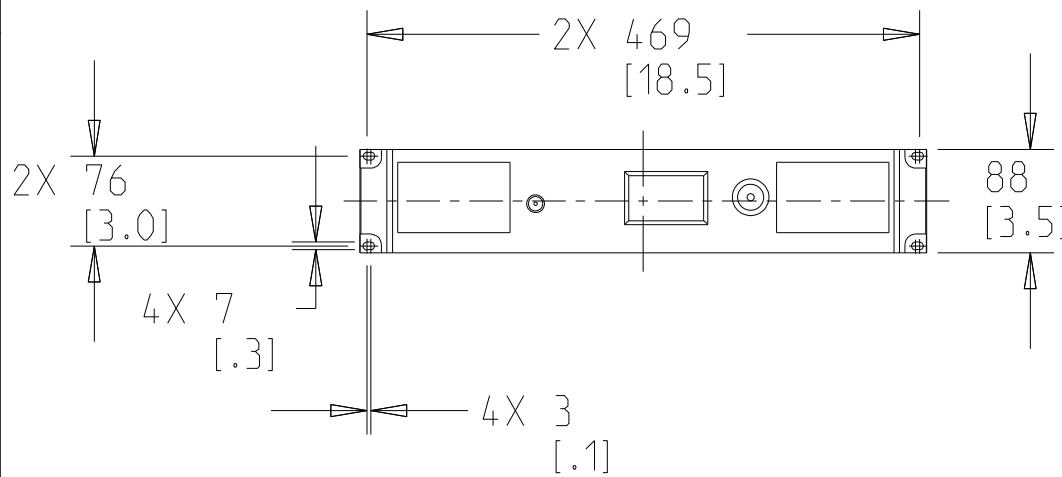
D

C

C

B

B



B

A

A

3. PARTS ARE SYMMETRICAL ABOUT CENTER LINES UNLESS OTHERWISE NOTED.
 2. TOLERANCES (MM): X ± 3, ANGLES: ± 1°.
 1. NET WEIGHT APPROX. 5.9 KG (13 LBS)
 NOTE: UNLESS OTHERWISE SPECIFIED

UNLESS OTHERWISE SPECIFIED DIMENSIONS IN MILLIMETERS (IN)		
TOLERANCES ARE:		
DECIMALS	DECIMALS	ANGLES
.X±.5[.02]	.XX±.25[.010]	± 1/2
DEBURR EDGES .25 [0.010] R MAX		
MATERIAL		
FINISH		

APPROVALS		DATE (DD-MMM-YY)
DRAWN	J. DELARM	14-MAR-13
CHECKED	D. TEULIE	08-APR-13
MFG ENG	-	-
QA CHECK	-	-
DRAWING INFO: FG-220009-2D.A.2		SIZE: B
MODEL INFO: FG-220009-3D.A.1		CAGE CODE: 00PW4

		QSC AUDIO PRODUCTS, LLC 1675 MACARTHUR BOULEVARD COSTA MESA, CA 92626		
		AMPLIFIER, FINISHED, PLD 4.2		
SIZE	CAGE CODE	DRAWING NO.	REV	
B	00PW4	FG-220009-2D	A	
SCALE: 0.156		DO NOT SCALE DRAWING	SHEET 1 OF 1	