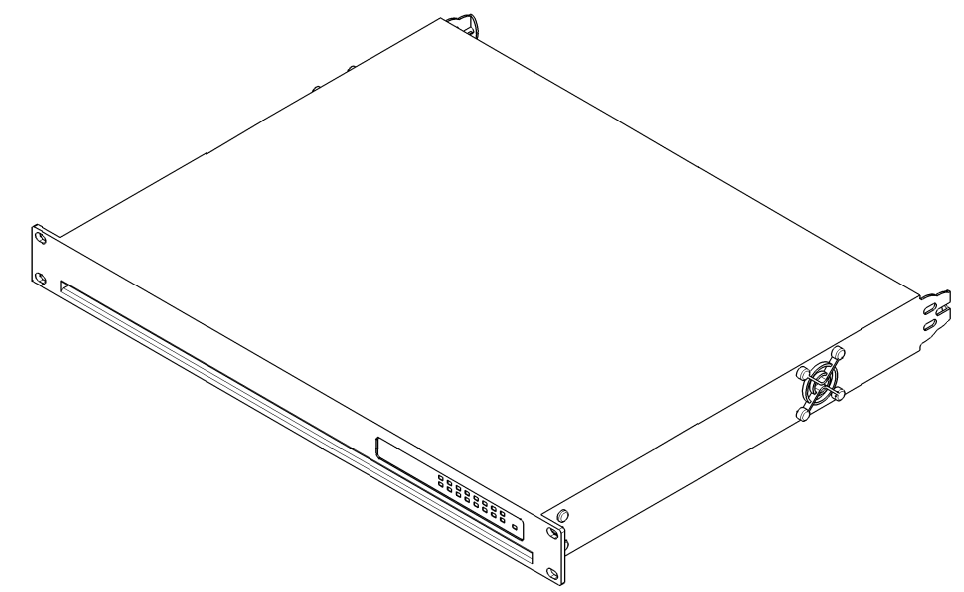
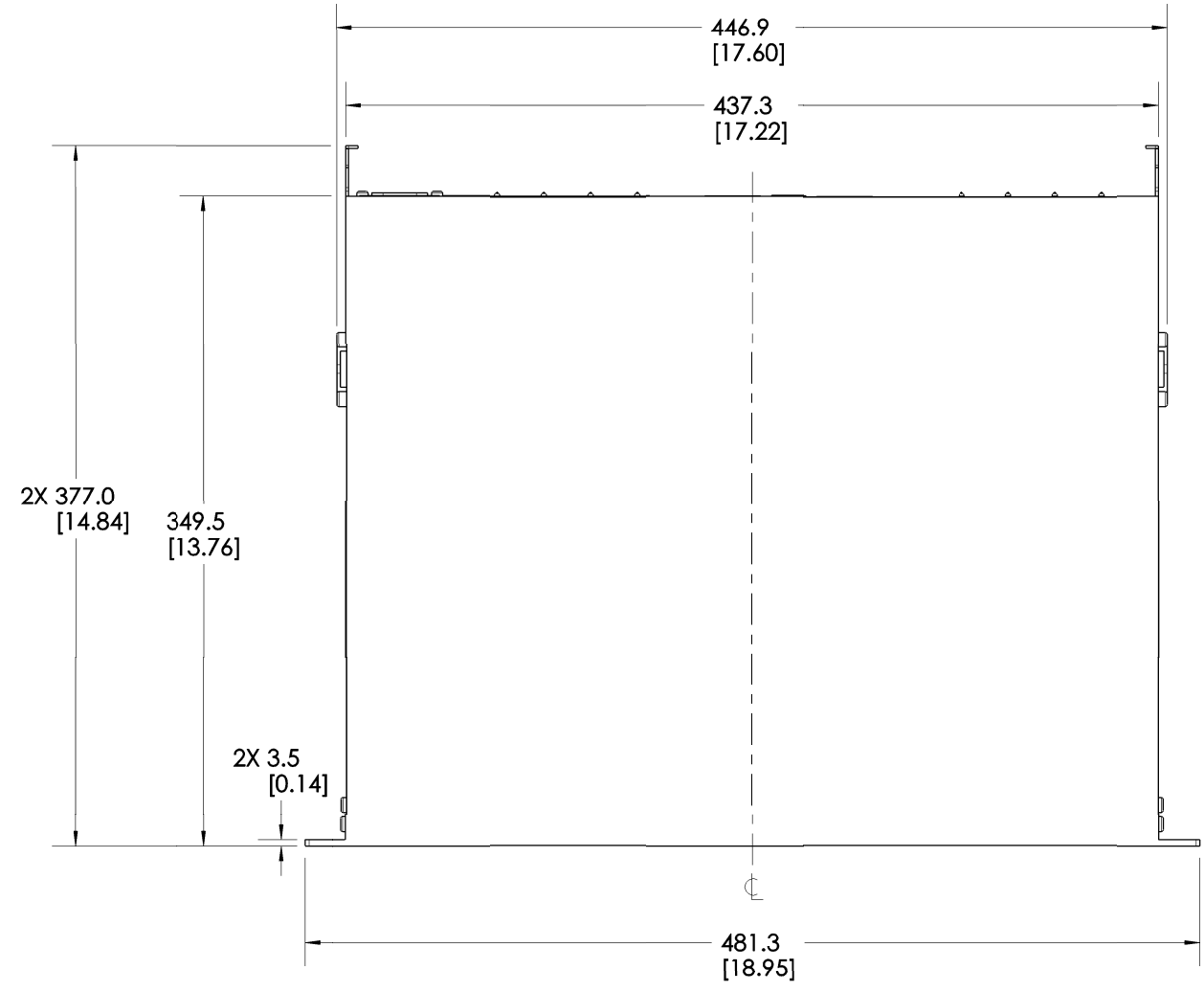
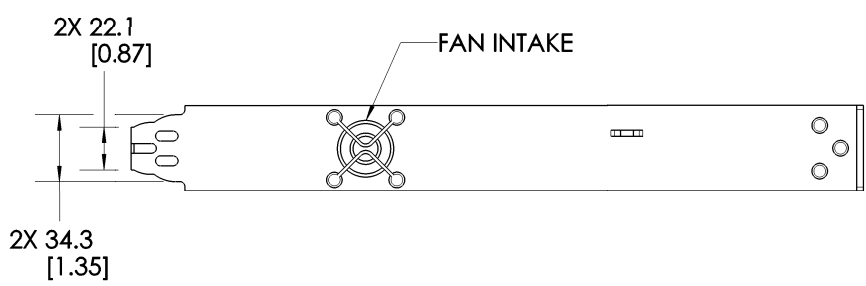


THIS DOCUMENT CONTAINS PROPRIETARY INFORMATION WHICH IS THE PROPERTY OF QSC, LLC. THAT MAY NOT BE DISCLOSED, REPRODUCED OR USED WITHOUT THE EXPRESS WRITTEN CONSENT FROM QSC, LLC.

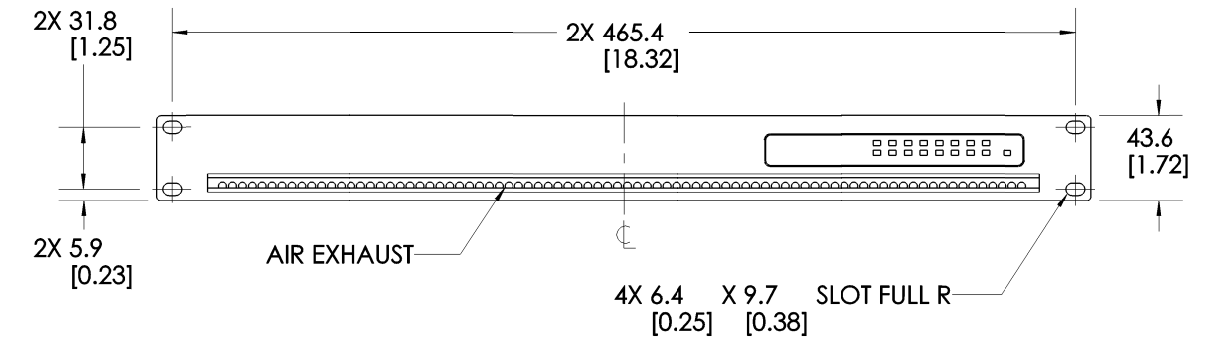
REVISION		BY	DATE
REV	DESCRIPTION	ES	21-MAY-18
A	INITIAL RELEASE		



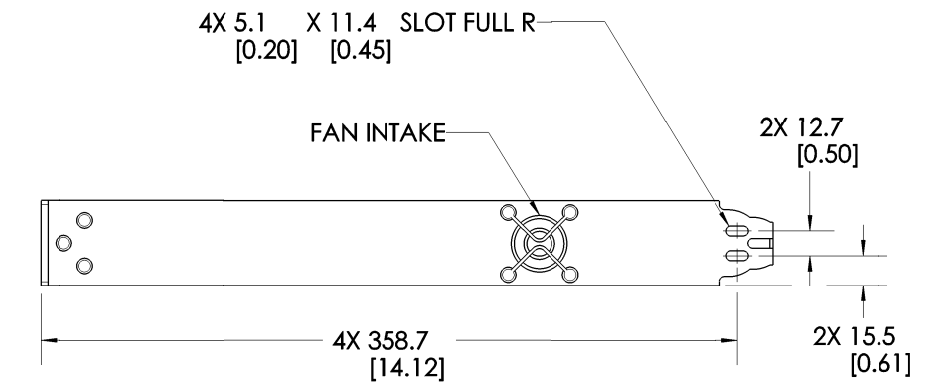
SCALE 1:5



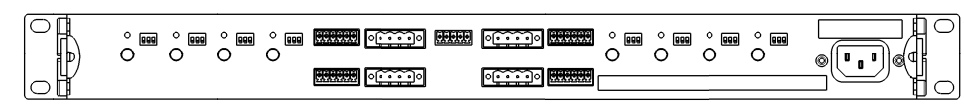
FAN INTAKE



AIR EXHAUST



FAN INTAKE



REAR VIEW

UNLESS OTHERWISE SPECIFIED DIMENSIONS ARE IN MM [IN]		CAD GENERATED DRAWING DO NOT MANUALLY UPDATE		QSC QSC, LLC 1675 MACARTHUR BOULEVARD COSTA MESA, CA 92626 USA	
TOLERANCES ARE:		APPROVALS		<b>FINISHED GOOD, AMPLIFIER, MP-A80V, 100-240V, 8-CH</b>	
DECIMALS	ANGLES	DRAWN BY B. SHASTRI			
X ± 3 [1.12]	± 1°	MECH ENGINEER D. TEULIE			
MATERIAL N/A		TECH DIRECTOR R. BAKER			
FINISH N/A		MFG ENG R. SANGAM		SIZE B	CAGE CODE 00PW4
DO NOT SCALE DRAWING		PROJECTION SYMBOL		DWG. NO. FG-901138-2D	REV A
				SCALE: 1:4	CAD FILE: FG-901138-2D.A.1
				SHEET: 1 OF 1	

1. NET WEIGHT APPROX. 5.8 KG [12.8 LBS]

NOTES: UNLESS OTHERWISE SPECIFIED.