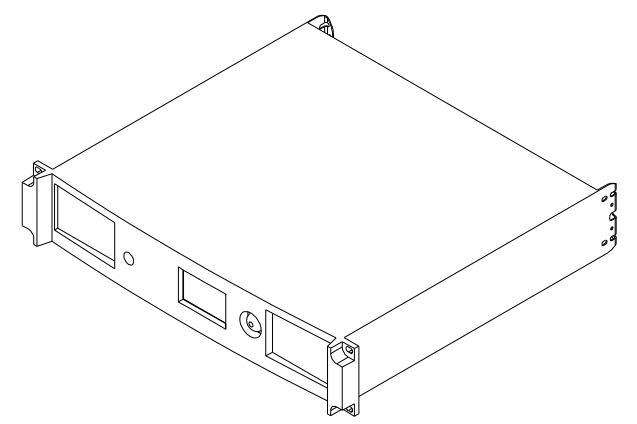
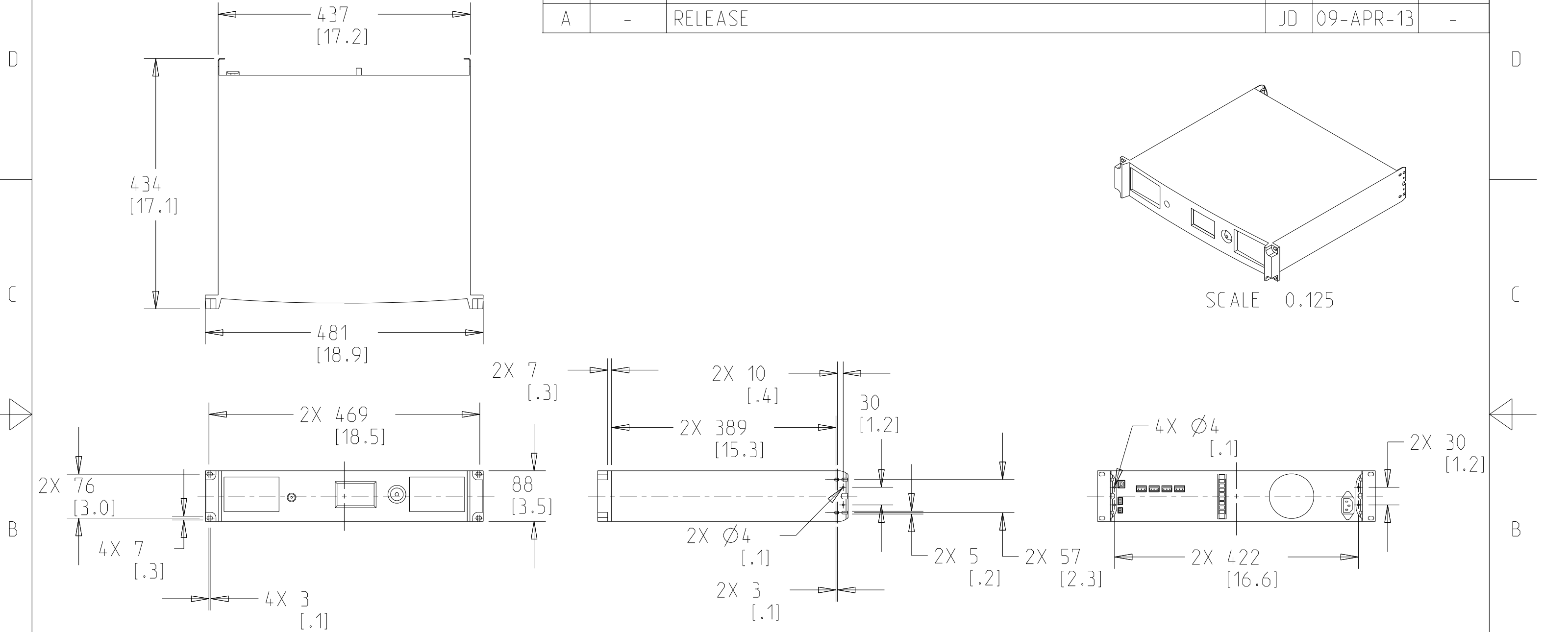


THIS DOCUMENT CONTAINS PROPRIETARY INFORMATION WHICH IS THE PROPERTY OF QSC AUDIO PRODUCTS, THAT MAY NOT BE DISCLOSED, REPRODUCED OR USED WITHOUT EXPRESS WRITTEN CONSENT FROM QSC AUDIO PRODUCTS.

| REVISIONS | | | | | |
|-----------|-----|-------------|----|-----------|--------|
| REV | ECO | DESCRIPTION | BY | EFF DATE | ISSUED |
| A | - | RELEASE | JD | 09-APR-13 | - |



SCALE 0.125

- 3. PARTS ARE SYMMETRICAL ABOUT CENTER LINES UNLESS OTHERWISE NOTED.
 - 2. TOLERANCES (MM): X ± 3, ANGLES: ± 1°.
 - 1. NET WEIGHT APPROX. 9.8 KG (22 LBS)
- NOTE: UNLESS OTHERWISE SPECIFIED

| | | |
|---|---------------|--------|
| UNLESS OTHERWISE SPECIFIED DIMENSIONS IN MILLIMETERS (IN) | | |
| TOLERANCES ARE: | | |
| DECIMALS | DECIMALS | ANGLES |
| .X±.5[.02] | .XX±.25[.010] | ± 1/2 |
| DEBURR EDGES .25 [0.010] R MAX | | |
| MATERIAL | | |
| FINISH | | |

| APPROVALS | DATE (DD-MMM-YY) |
|--------------------------------|------------------|
| DRAWN J. DELARM | 14-MAR-13 |
| CHECKED D. TEULIE | 08-APR-13 |
| MFG ENG | - |
| QA CHECK | - |
| DRAWING INFO: FG-220005-2D.A.2 | |
| MODEL INFO: FG-220005-3D.A.1 | |

| | | | | |
|---------------------------------|-----------|---|-------|--------|
| QSC | | QSC AUDIO PRODUCTS, LLC 1675 MACARTHUR BOULEVARD COSTA MESA, CA 92626 | | |
| AMPLIFIER, FINISHED, CXD 4.5 | | | | |
| SIZE | CAGE CODE | DRAWING NO. | REV | |
| B | 00PW 4 | FG-220005-2D | A | |
| SCALE: | 0.156 | DO NOT SCALE DRAWING | SHEET | 1 OF 1 |