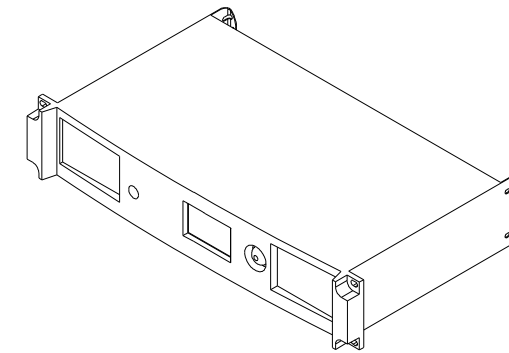
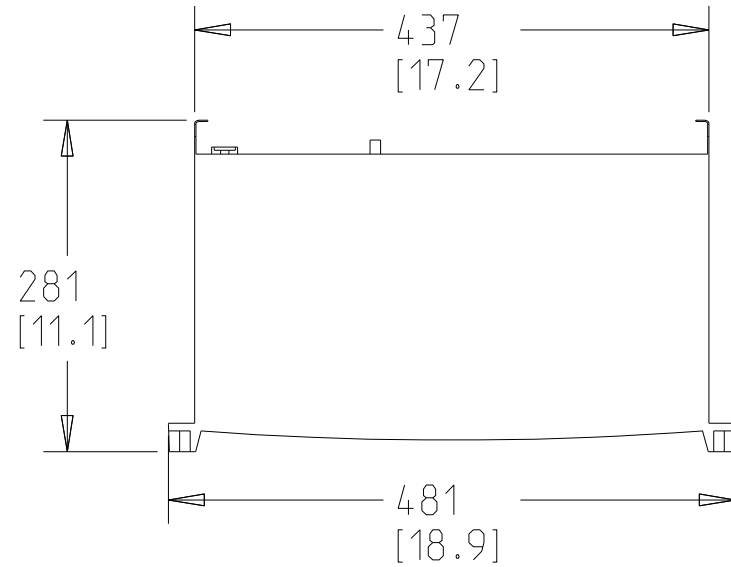
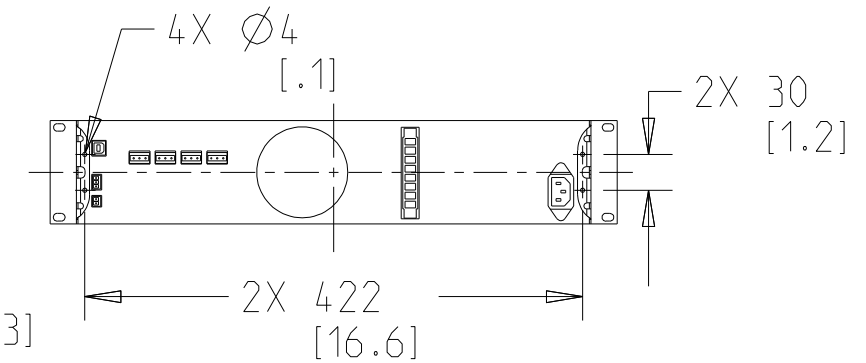
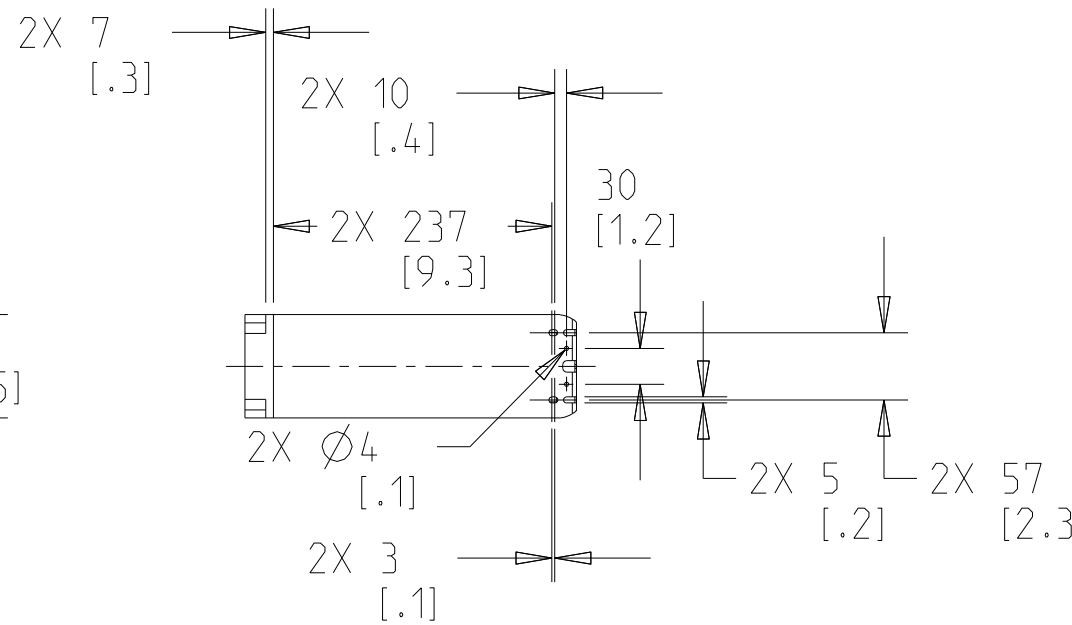
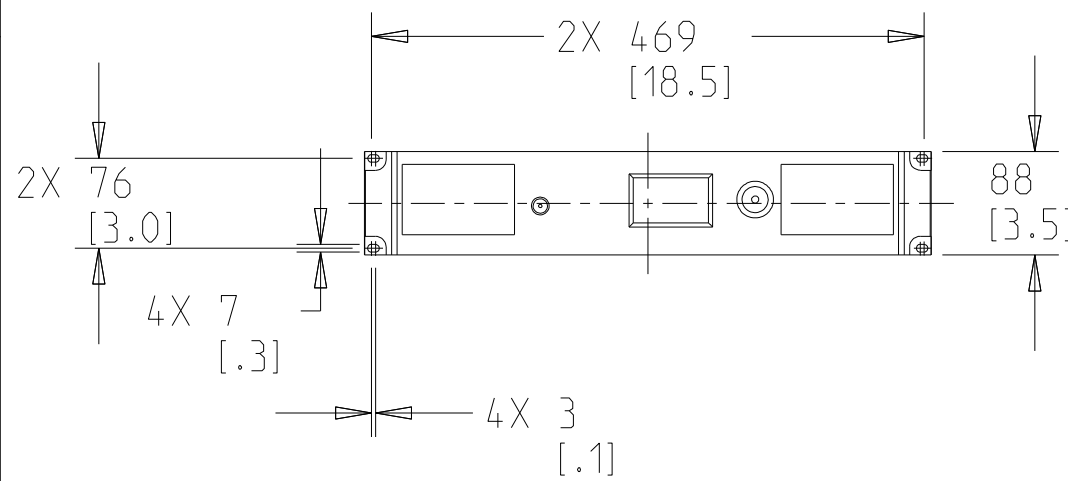


THIS DOCUMENT CONTAINS PROPRIETARY INFORMATION WHICH IS THE PROPERTY OF QSC AUDIO PRODUCTS, THAT MAY NOT BE DISCLOSED, REPRODUCED OR USED WITHOUT EXPRESS WRITTEN CONSENT FROM QSC AUDIO PRODUCTS.

REVISIONS					
REV	ECO	DESCRIPTION	BY	EFF DATE	ISSUED
A	-	RELEASE	JD	09-APR-13	-



SCALE 0.125



UNLESS OTHERWISE SPECIFIED DIMENSIONS IN MILLIMETERS (IN)		
TOLERANCES ARE:		
DECIMALS	DECIMALS	ANGLES
.X±.5[.02]	.XX±.25[.010]	± 1/2
DEBURR EDGES .25 [0.010] R MAX		
MATERIAL		
FINISH		

APPROVALS		DATE (DD-MMM-YY)
DRAWN	J. DELARM	14-MAR-13
CHECKED	D. TEULIE	08-APR-13
MFG ENG	-	-
QA CHECK	-	-
DRAWING INFO: FG-220008-2D.A.2		
MODEL INFO: FG-220008-3D.A.1		

QSC QSC AUDIO PRODUCTS, LLC
1675 MACARTHUR BOULEVARD
COSTA MESA, CA 92626

AMPLIFIER, FINISHED,
CXD 4.2

SIZE	CAGE CODE	DRAWING NO.	REV
B	00PW 4	FG-220008-2D	A
SCALE: 0.156		DO NOT SCALE DRAWING	SHEET 1 OF 1

- 3. PARTS ARE SYMMETRICAL ABOUT CENTER LINES UNLESS OTHERWISE NOTED.
 - 2. TOLERANCES (MM): X ± 3, ANGLES: ± 1°.
 - 1. NET WEIGHT APPROX. 5.9 KG (13 LBS)
- NOTE: UNLESS OTHERWISE SPECIFIED