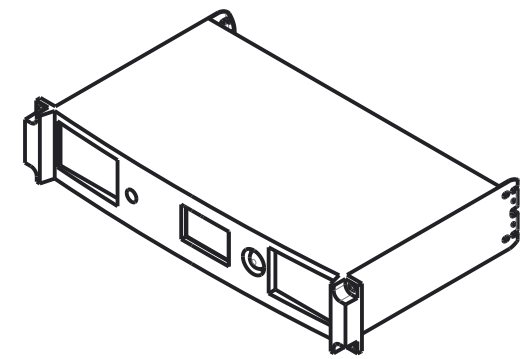
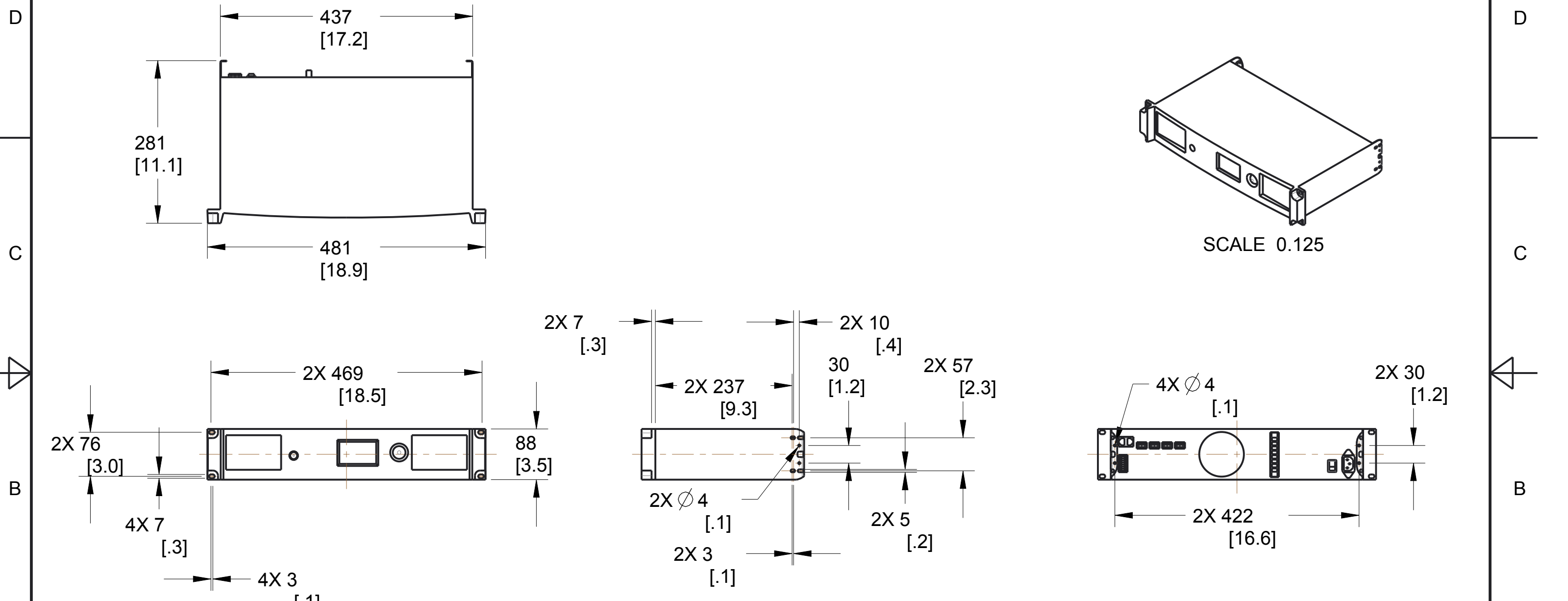


THIS DOCUMENT CONTAINS PROPRIETARY INFORMATION WHICH IS THE PROPERTY OF QSC AUDIO PRODUCTS, THAT MAY NOT BE DISCLOSED, REPRODUCED OR USED WITHOUT EXPRESS WRITTEN CONSENT FROM QSC AUDIO PRODUCTS.

REVISIONS					
REV	ECO	DESCRIPTION	BY	EFF DATE	ISSUED
A	-	RELEASE	MD	24-OCT-14	-



SCALE 0.125

- 3. PARTS ARE SYMMETRICAL ABOUT CENTER LINES UNLESS OTHERWISE NOTED.
 - 2. TOLERANCES (MM): $X \pm 3$, ANGLES: $\pm 1^\circ$.
 - 1. NET WEIGHT APPROX. 6.0 KG (13.3 LBS)
- NOTE: UNLESS OTHERWISE SPECIFIED

UNLESS OTHERWISE SPECIFIED DIMENSIONS IN MILLIMETERS [IN]
 TOLERANCES ARE:
 DECIMALS .X \pm .5[.02] DECIMALS .XX \pm .25[.010] ANGLES $\pm 1/2$
 DEBURR EDGES .25 [.010] R MAX

MATERIAL

FINISH

APPROVALS	DATE (DD-MMM-YY)
DRAWN M. DAVILA	24-OCT-14
CHECKED -	-
MFG ENG -	-
QA CHECK -	-
DRAWING INFO: FG-220057-2D.A.0	
MODEL INFO: FG-220057-3D.A.0	

QSC QSC AUDIO PRODUCTS, LLC
 1675 MACARTHUR BOULEVARD
 COSTA MESA, CA 92626

**AMPLIFIER, FINISHED,
 CXD 4.2Q**

SIZE B	CAGE CODE 00PW4	DRAWING NO. FG-220057-2D	REV A
SCALE: 0.156	DO NOT SCALE DRAWING	SHEET	1 OF 1