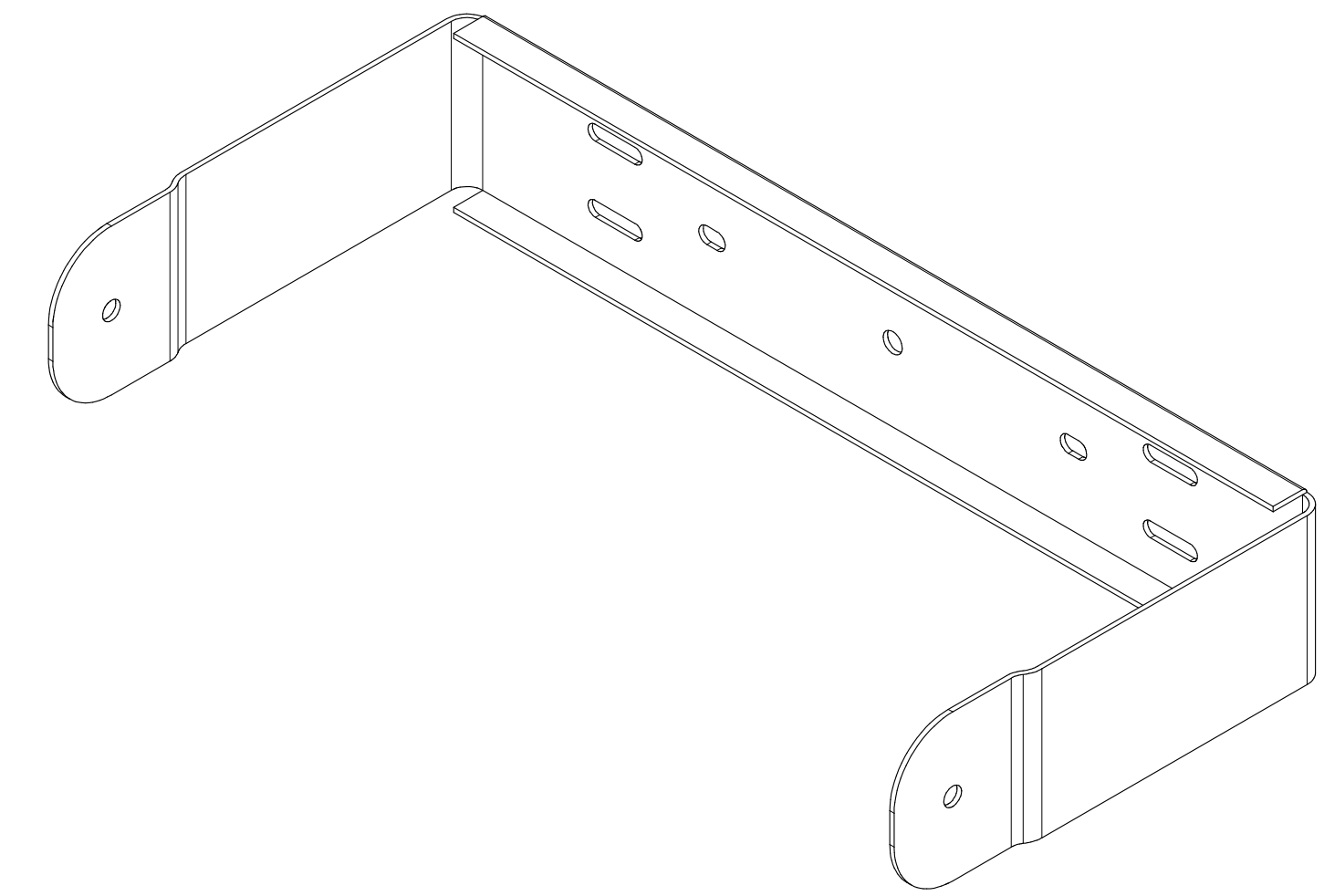
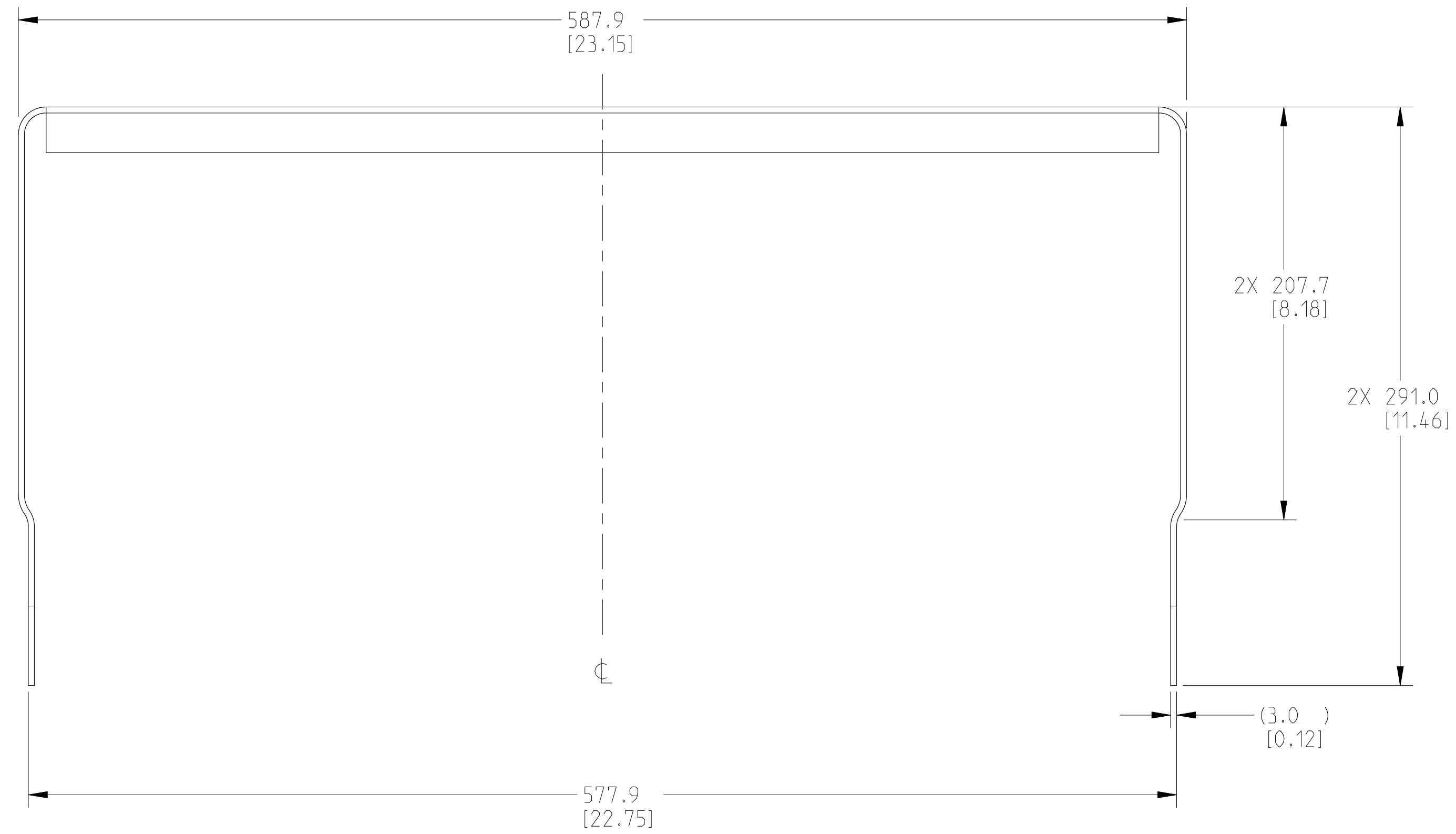
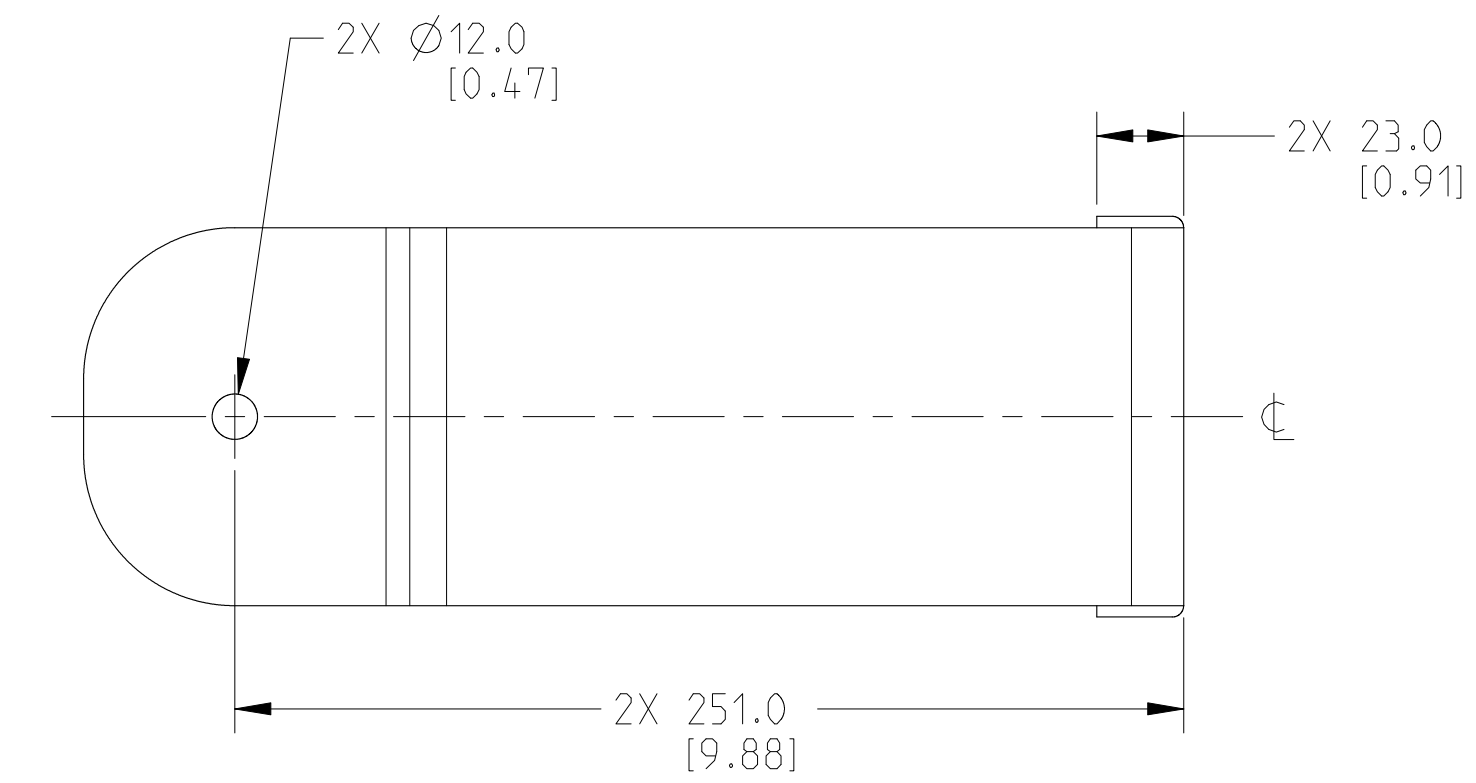
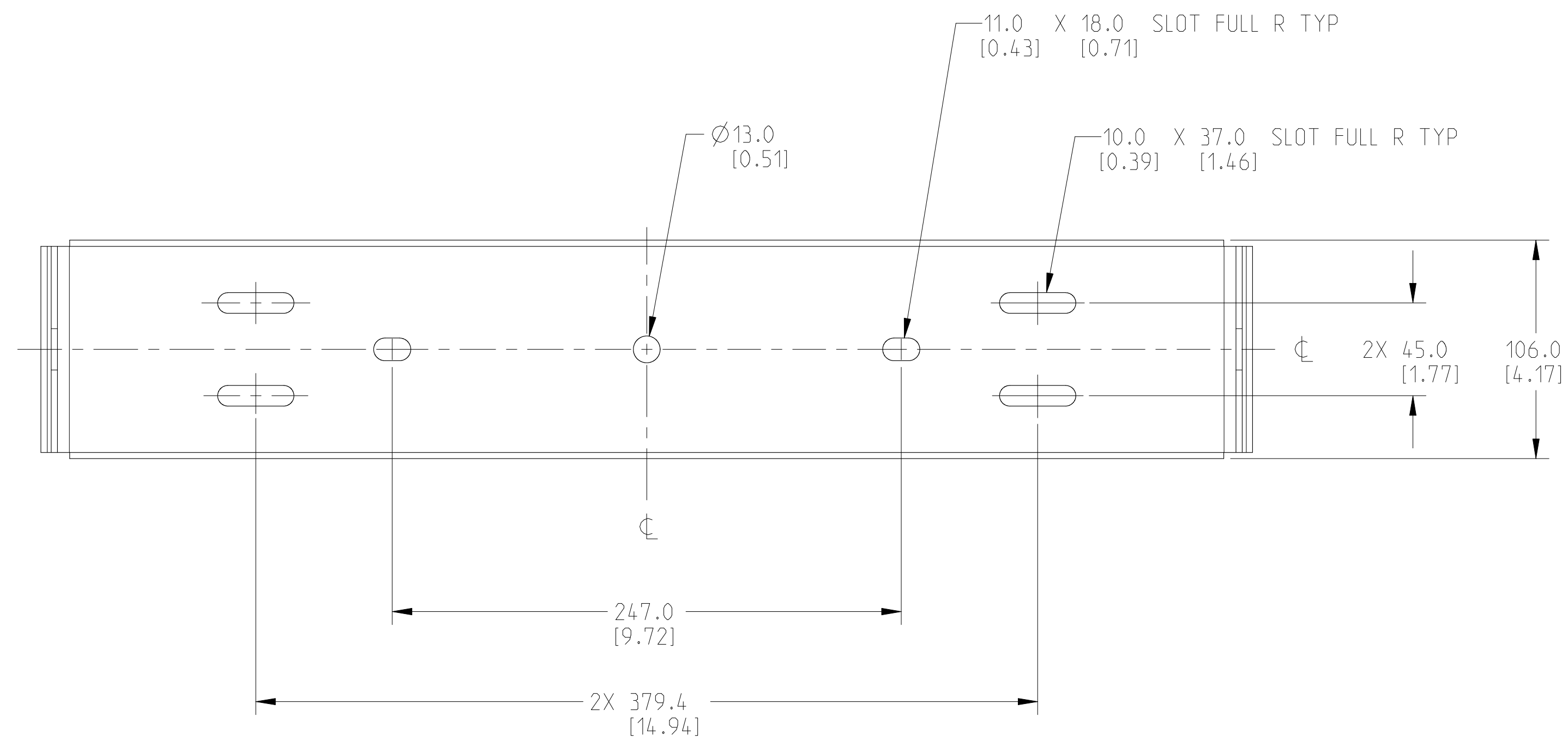


THIS DOCUMENT CONTAINS PROPRIETARY INFORMATION WHICH IS THE PROPERTY OF QSC, LLC. THAT MAY NOT BE DISCLOSED, REPRODUCED OR USED WITHOUT EXPRESS WRITTEN CONSENT FROM QSC, LLC.

| REVISIONS |                                 |    |           |
|-----------|---------------------------------|----|-----------|
| REV       | DESCRIPTION                     | BY | DATE      |
| A         | RELEASE FOR SALES AND MARKETING | ES | 24-JAN-18 |
|           |                                 |    |           |
|           |                                 |    |           |



SCALE 0.300



- 4. PARTS ARE SYMMETRICAL ABOUT CENTER LINES UNLESS OTHERWISE NOTED.
- 3. DIMENSIONS ARE IN MILLIMETERS [INCH].
- 2. TOLERANCES (MM): X ± 3, ANGLES: ± 1°.
- 1. NET WEIGHT APPROX. 3.49 KG [7.7 LBS].

NOTE: UNLESS OTHERWISE SPECIFIED

|  |                              |  |                    |                          |              |
|--|------------------------------|--|--------------------|--------------------------|--------------|
| UNLESS OTHERWISE SPECIFIED<br>DIMENSIONS IN MILLIMETERS (IN)<br>TOLERANCES ARE:<br>DECIMALS .X±.01 DECIMALS .XX±.010 ANGLES ± 1/2<br>DEBURR EDGES .25 (1.01) R MAX | DESIGNER<br>ENG. SERVICES    | QSC QSC, LLC<br>1675 MACARTHUR BOULEVARD<br>COSTA MESA, CA 92626 | E110 YOKE MOUNT-BK |                          |              |
|  | ENGINEER                     |  |                    |                          |              |
|  | TECHNICAL DIRECTOR           | SIZE D   | CAGE CODE 00PW4    | DRAWING NO. FG-901181-2D | REV A        |
|  | MANUFACTURING ENGINEER       | DRAWING INFO: FG-901181-2D.A.0                                   | SCALE: 0.500       | DO NOT SCALE DRAWING     | SHEET 1 OF 1 |
| MATERIAL   | MODEL INFO: FG-901181-3D.A.0 |  |                    |                          |              |
| FINISH   |                              |  |                    |                          |              |