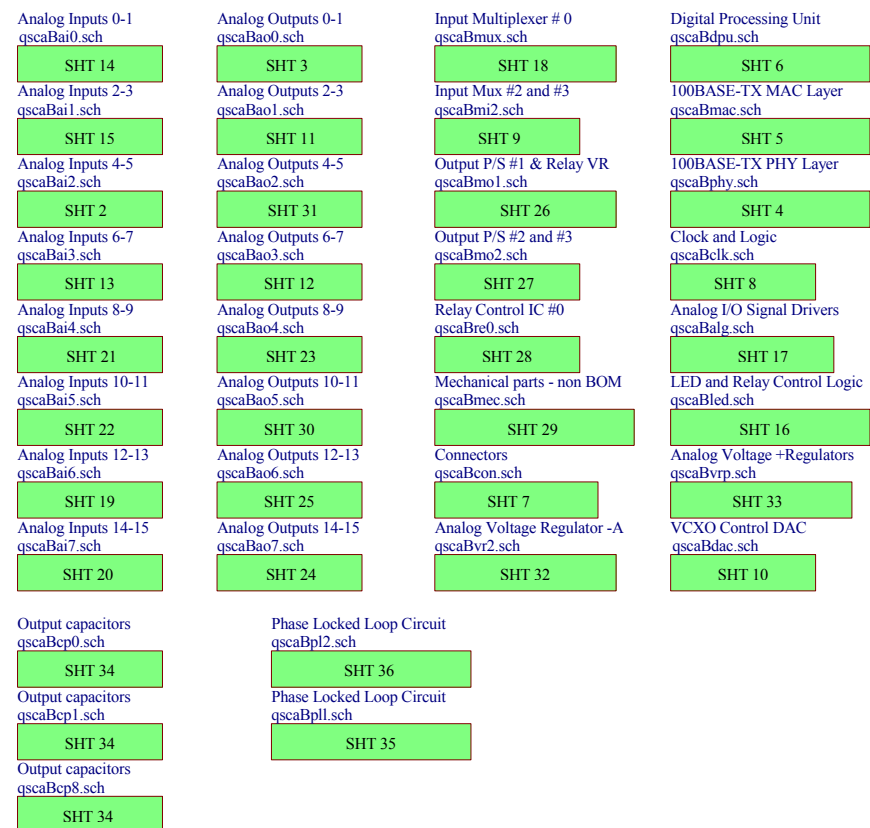


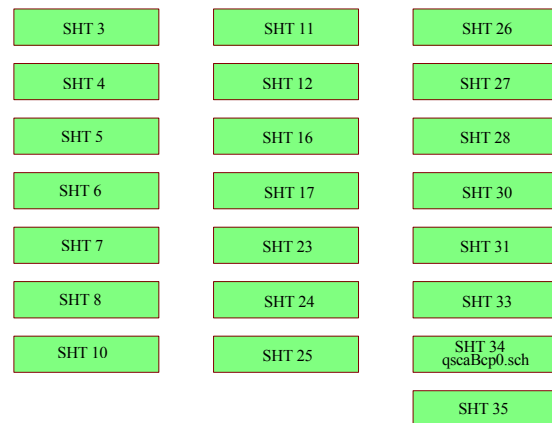
THIS DOCUMENT CONTAINS PROPRIETARY INFORMATION WHICH IS THE PROPERTY OF QSC AUDIO PRODUCTS. THAT MAY NOT BE DISCLOSED, REPRODUCED OR USED WITHOUT EXPRESS WRITTEN CONSENT FROM QSC AUDIO PRODUCTS.

REV	DESCRIPTION	EFF. DATE	CHK	APPROVED DATE
A	PRODUCTION RELEASE PER ECO 3743	6-29-9		TS 6-29-98
B	REVISED PER ECO 4061 AA	9-3-99		

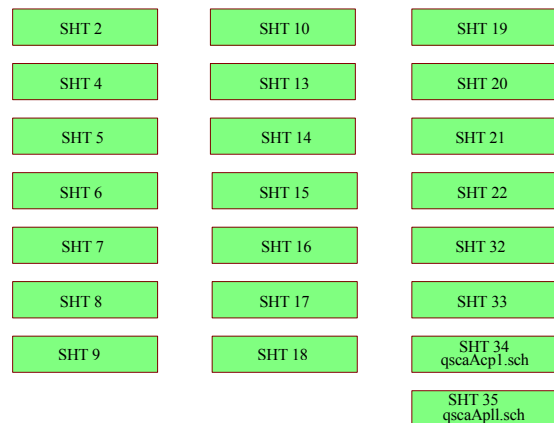
RAVE/RAPID RAVE ANALOG COMBINED



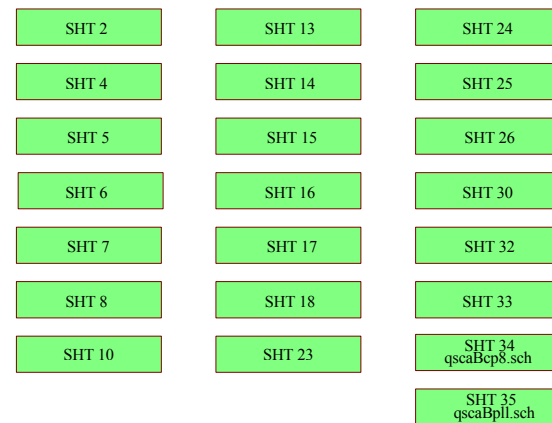
RAVE/RAPID RAVE 160 USE THE FOLLOWING SHEETS



RAVE/RAPID RAVE 161 USE THE FOLLOWING SHEETS

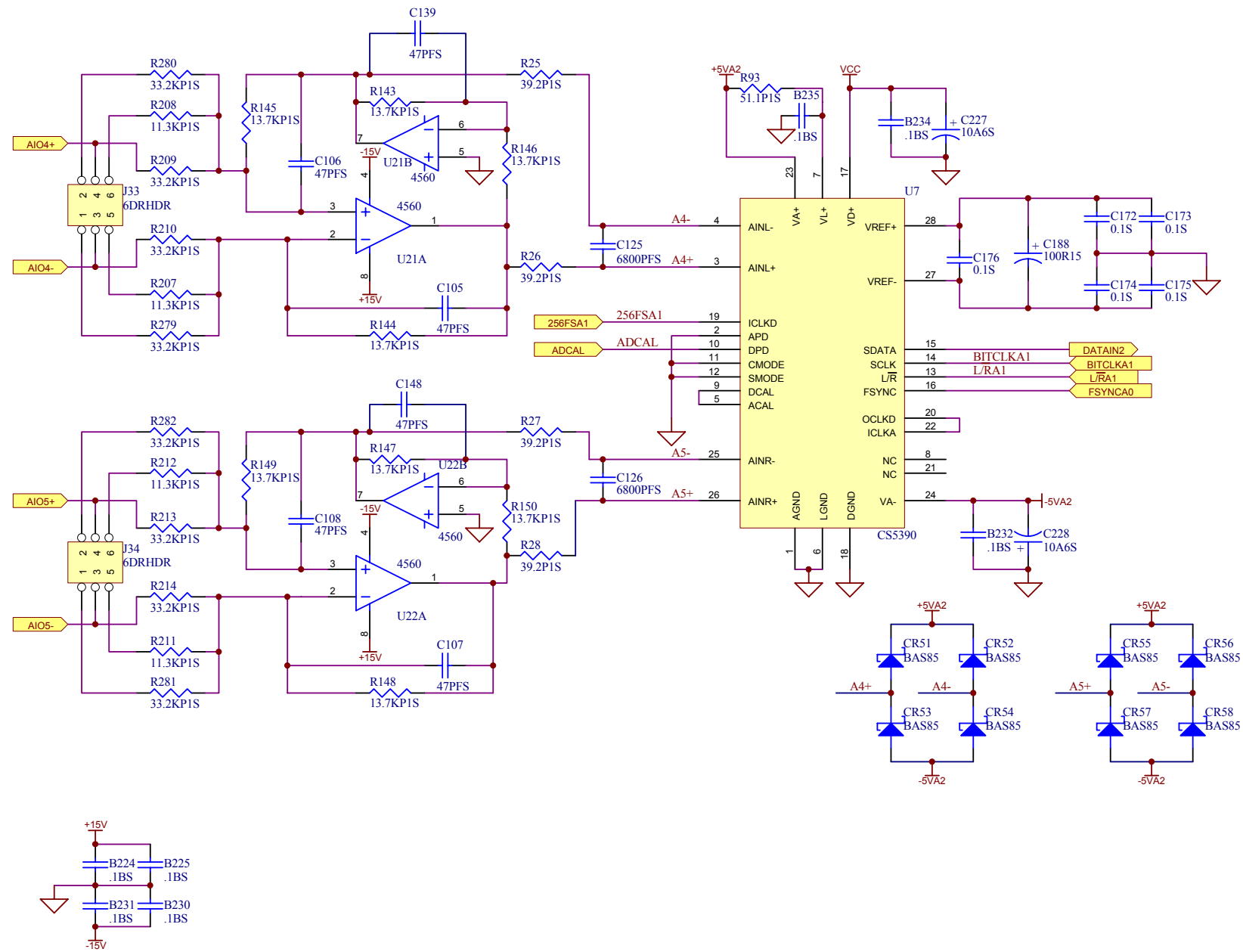


RAVE/RAPID RAVE 188 USE THE FOLLOWING SHEETS



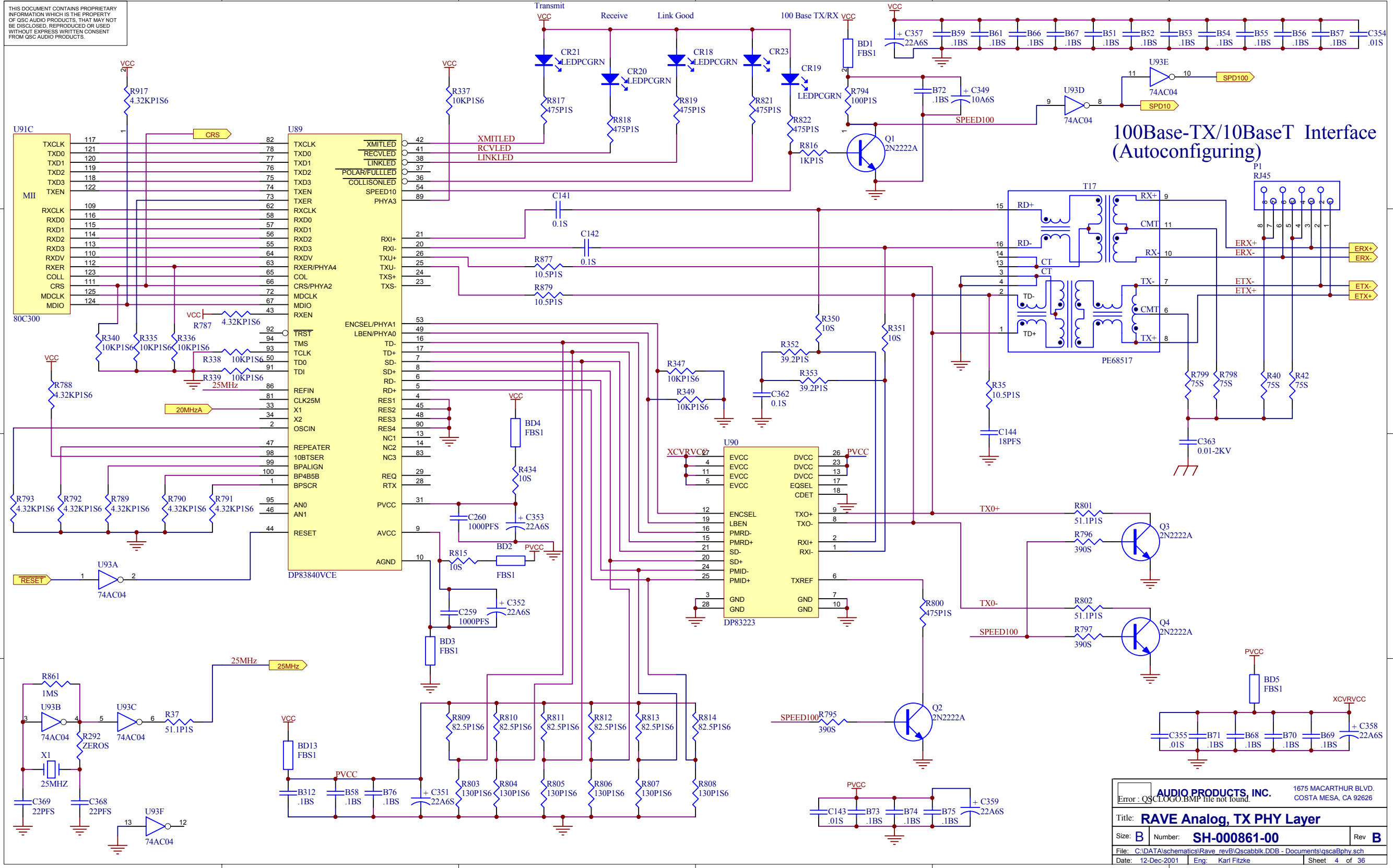
AUDIO PRODUCTS, INC.		1675 MACARTHUR BLVD. COSTA MESA, CA 92626	
Error: QSCLOGO.BMP file not found.			
Title: RAVE Analog Block Diagram			
Size: B	Number: SH-000861-00	Rev B	
File: C:\DATA\schematics\RAVE_revB\Qscabblk.DDB - Documents\Qscabblk.sch			
Date: 12-Dec-2001	Eng: Karl Fitzke	Sheet 1 of 36	

THIS DOCUMENT CONTAINS PROPRIETARY INFORMATION WHICH IS THE PROPERTY OF QSC AUDIO PRODUCTS. THAT MAY NOT BE DISCLOSED, REPRODUCED OR USED WITHOUT EXPRESS WRITTEN CONSENT FROM QSC AUDIO PRODUCTS.



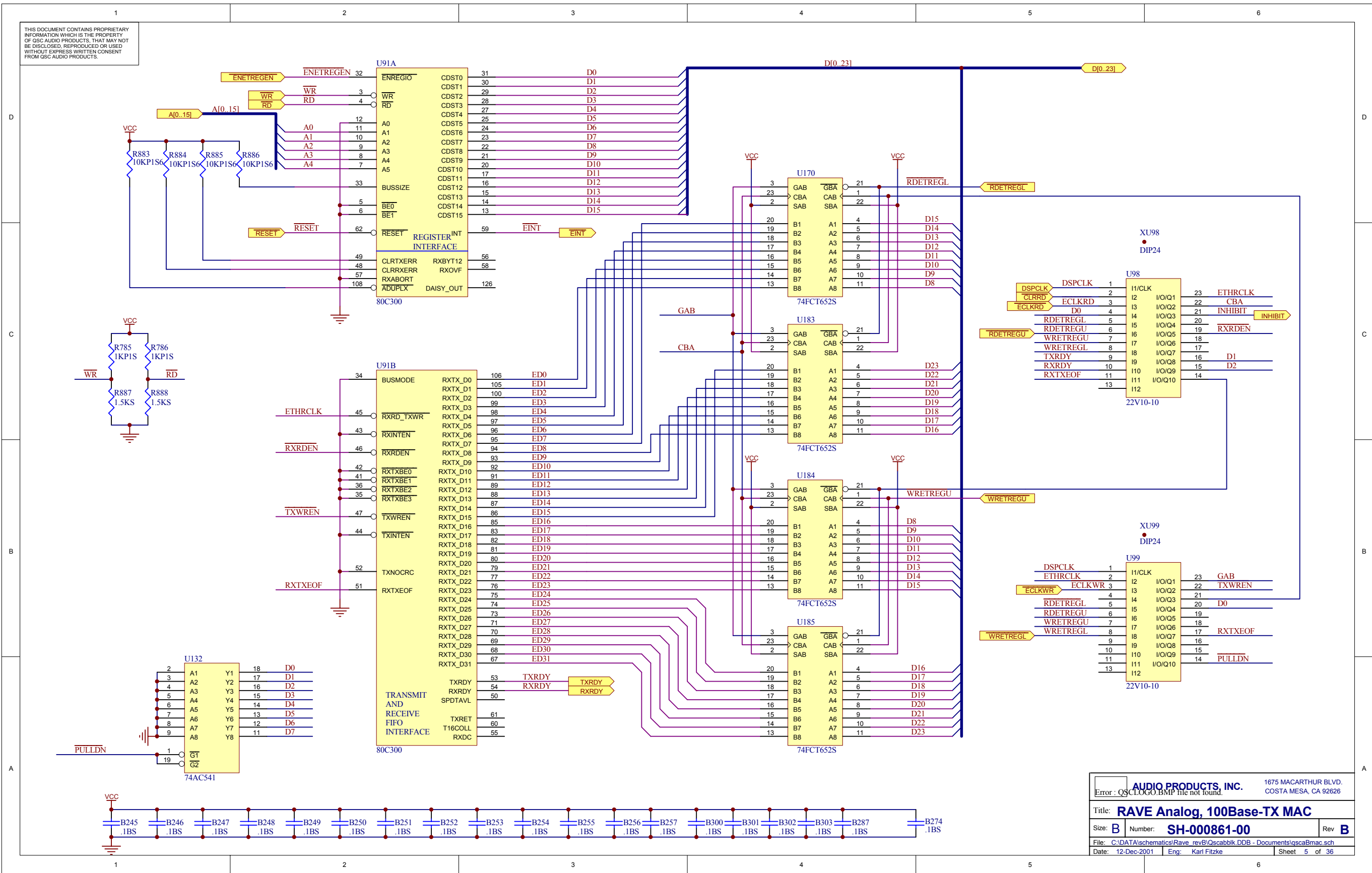
AUDIO PRODUCTS, INC.		1675 MACARTHUR BLVD. COSTA MESA, CA 92626	
Error: QSC\LOGO.BMP file not found.			
Title: RAVE Analog Inputs # 4-5			
Size: B	Number: SH-000861-00	Rev B	
File: C:\DATA\schematics\RAVE_revB\Oscabbik.DDB - Documents\oscaBai2.sch			
Date: 12-Dec-2001	Eng: Karl Fitzke	Sheet 2 of 36	

THIS DOCUMENT CONTAINS PROPRIETARY INFORMATION WHICH IS THE PROPERTY OF QSC AUDIO PRODUCTS. THAT MAY NOT BE DISCLOSED, REPRODUCED OR USED WITHOUT EXPRESS WRITTEN CONSENT FROM QSC AUDIO PRODUCTS.

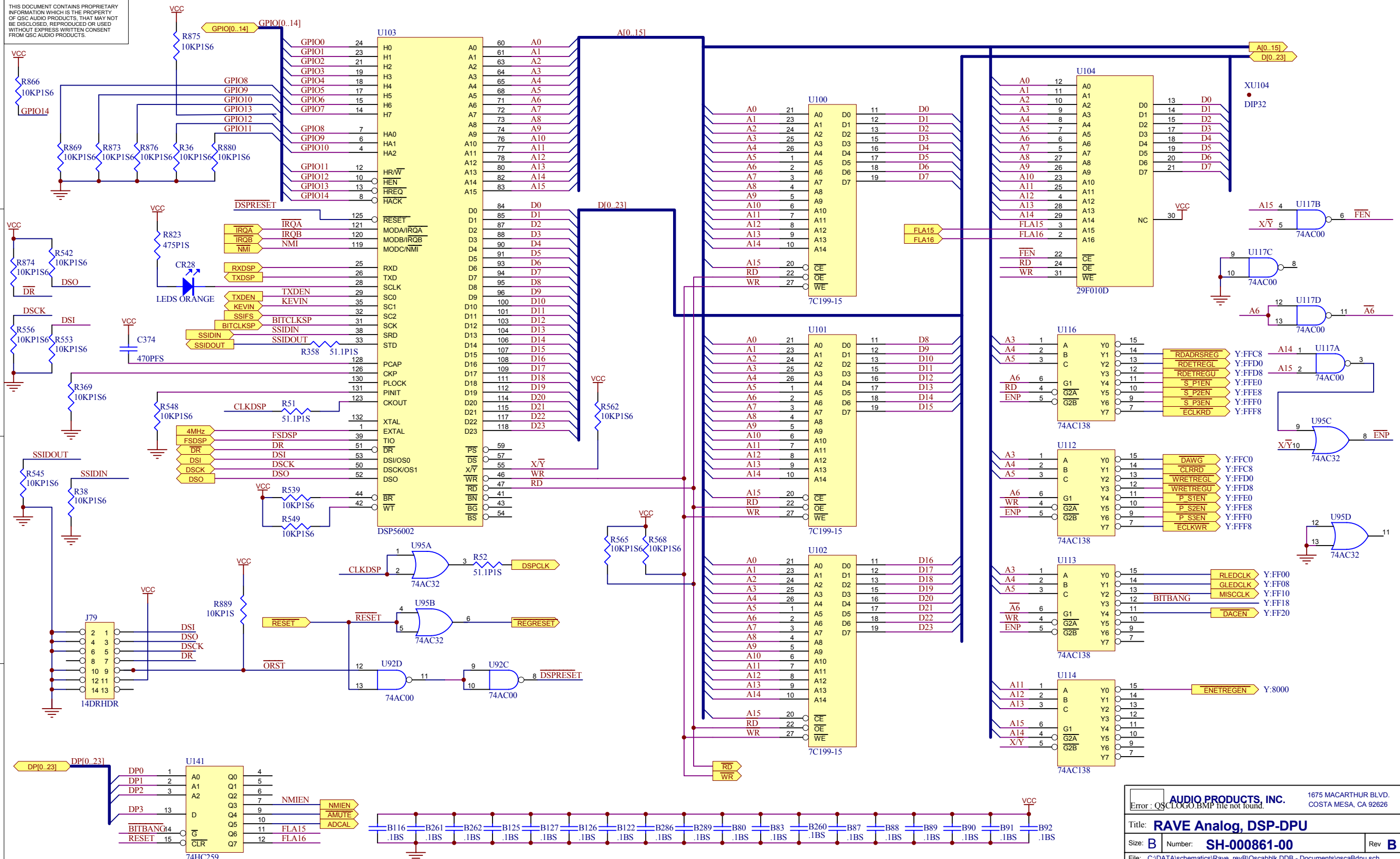


100Base-TX/10BaseT Interface (Autoconfiguring)

THIS DOCUMENT CONTAINS PROPRIETARY INFORMATION WHICH IS THE PROPERTY OF QSC AUDIO PRODUCTS. THAT MAY NOT BE DISCLOSED, REPRODUCED OR USED WITHOUT EXPRESS WRITTEN CONSENT FROM QSC AUDIO PRODUCTS.



THIS DOCUMENT CONTAINS PROPRIETARY INFORMATION WHICH IS THE PROPERTY OF QSC AUDIO PRODUCTS. THAT MAY NOT BE DISCLOSED, REPRODUCED OR USED WITHOUT EXPRESS WRITTEN CONSENT FROM QSC AUDIO PRODUCTS.



AUDIO PRODUCTS, INC. 1675 MACARTHUR BLVD. COSTA MESA, CA 92626

Error: QSC\LOGO.BMP file not found.

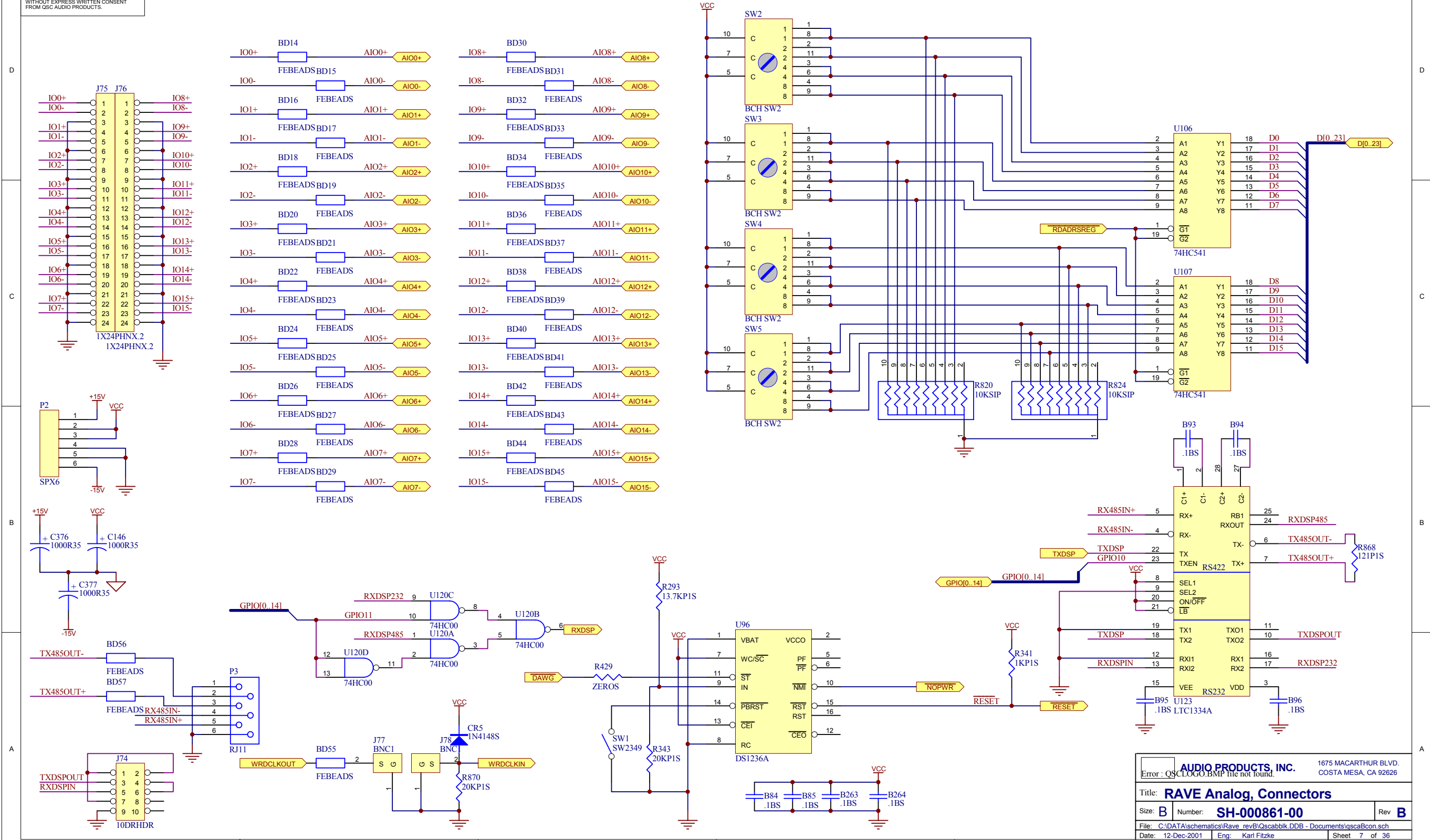
Title: **RAVE Analog, DSP-DPU**

Size: **B** Number: **SH-000861-00** Rev: **B**

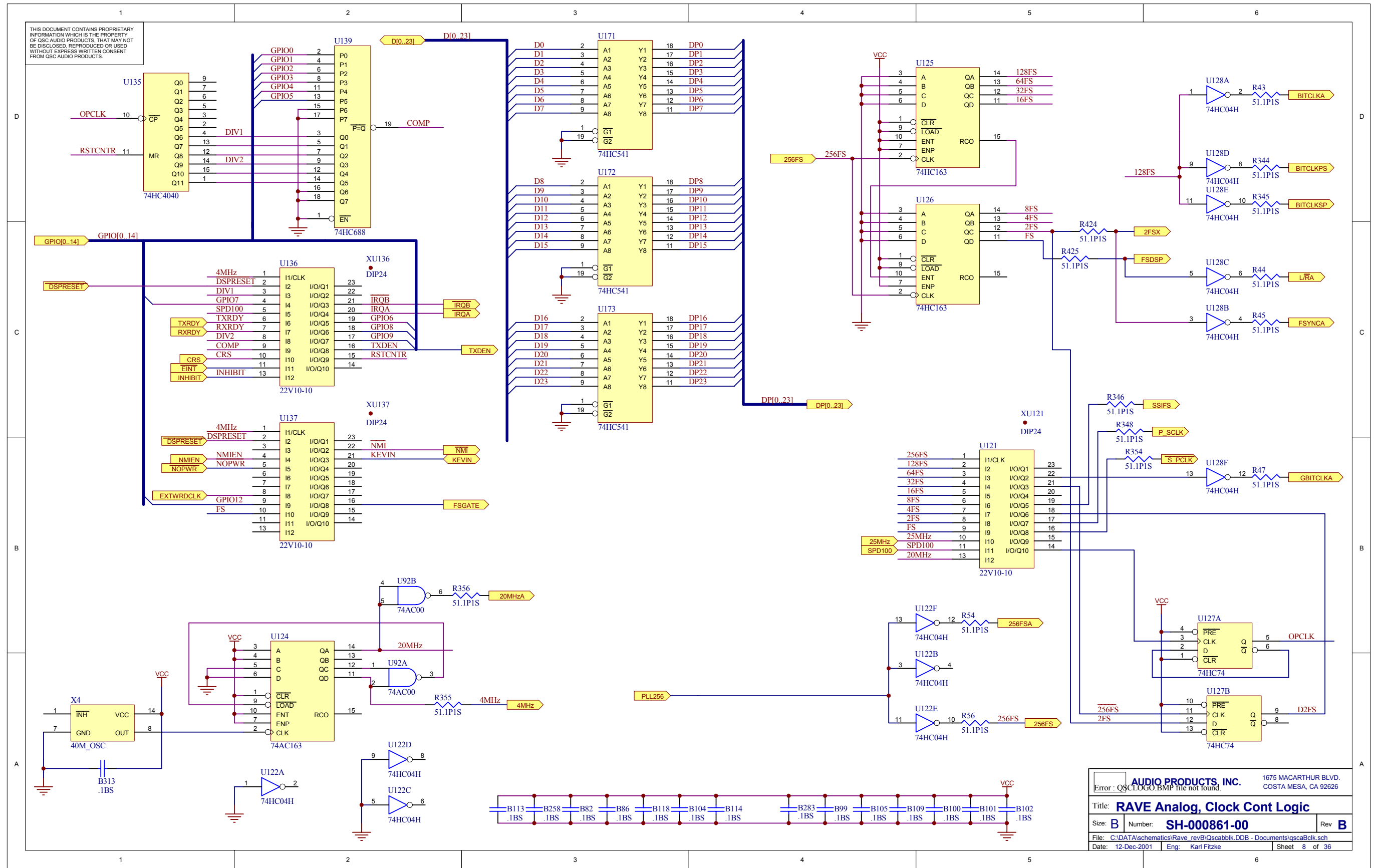
File: C:\DATA\schematics\rave_revB\Qscabibk.DDB - Documents\qscabdpj.sch

Date: 12-Dec-2001 Eng: Karl Fitzke Sheet 6 of 36

THIS DOCUMENT CONTAINS PROPRIETARY INFORMATION WHICH IS THE PROPERTY OF QSC AUDIO PRODUCTS. THAT MAY NOT BE DISCLOSED, REPRODUCED OR USED WITHOUT EXPRESS WRITTEN CONSENT FROM QSC AUDIO PRODUCTS.

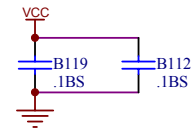
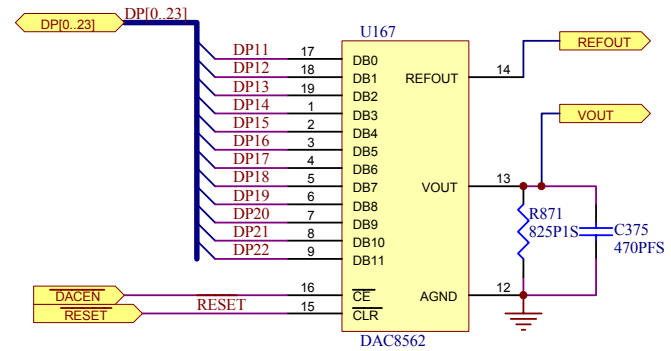


THIS DOCUMENT CONTAINS PROPRIETARY INFORMATION WHICH IS THE PROPERTY OF QSC AUDIO PRODUCTS. THAT MAY NOT BE DISCLOSED, REPRODUCED OR USED WITHOUT EXPRESS WRITTEN CONSENT FROM QSC AUDIO PRODUCTS.



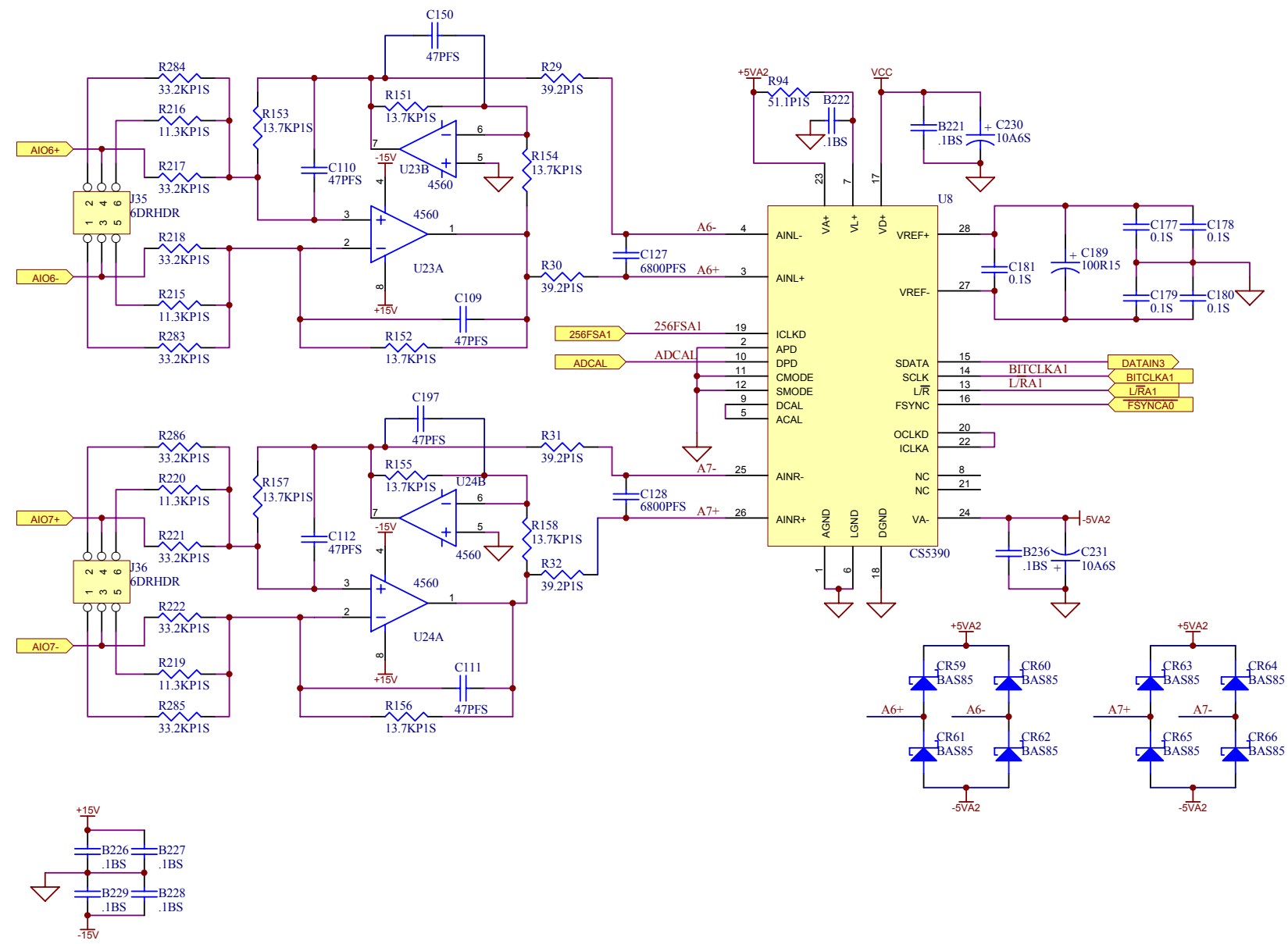
AUDIO PRODUCTS, INC. 1675 MACARTHUR BLVD. COSTA MESA, CA 92626
 Error: QSCLOGO.BMP file not found.
 Title: **RAVE Analog, Clock Cont Logic**
 Size: B Number: **SH-000861-00** Rev: **B**
 File: C:\DATA\schematics\rave_revB\Oscabkib.DDB - Documents\oscaBclk.sch
 Date: 12-Dec-2001 Eng: Karl Fitzke Sheet 8 of 36

THIS DOCUMENT CONTAINS PROPRIETARY INFORMATION WHICH IS THE PROPERTY OF QSC AUDIO PRODUCTS. THAT MAY NOT BE DISCLOSED, REPRODUCED OR USED WITHOUT EXPRESS WRITTEN CONSENT FROM QSC AUDIO PRODUCTS.

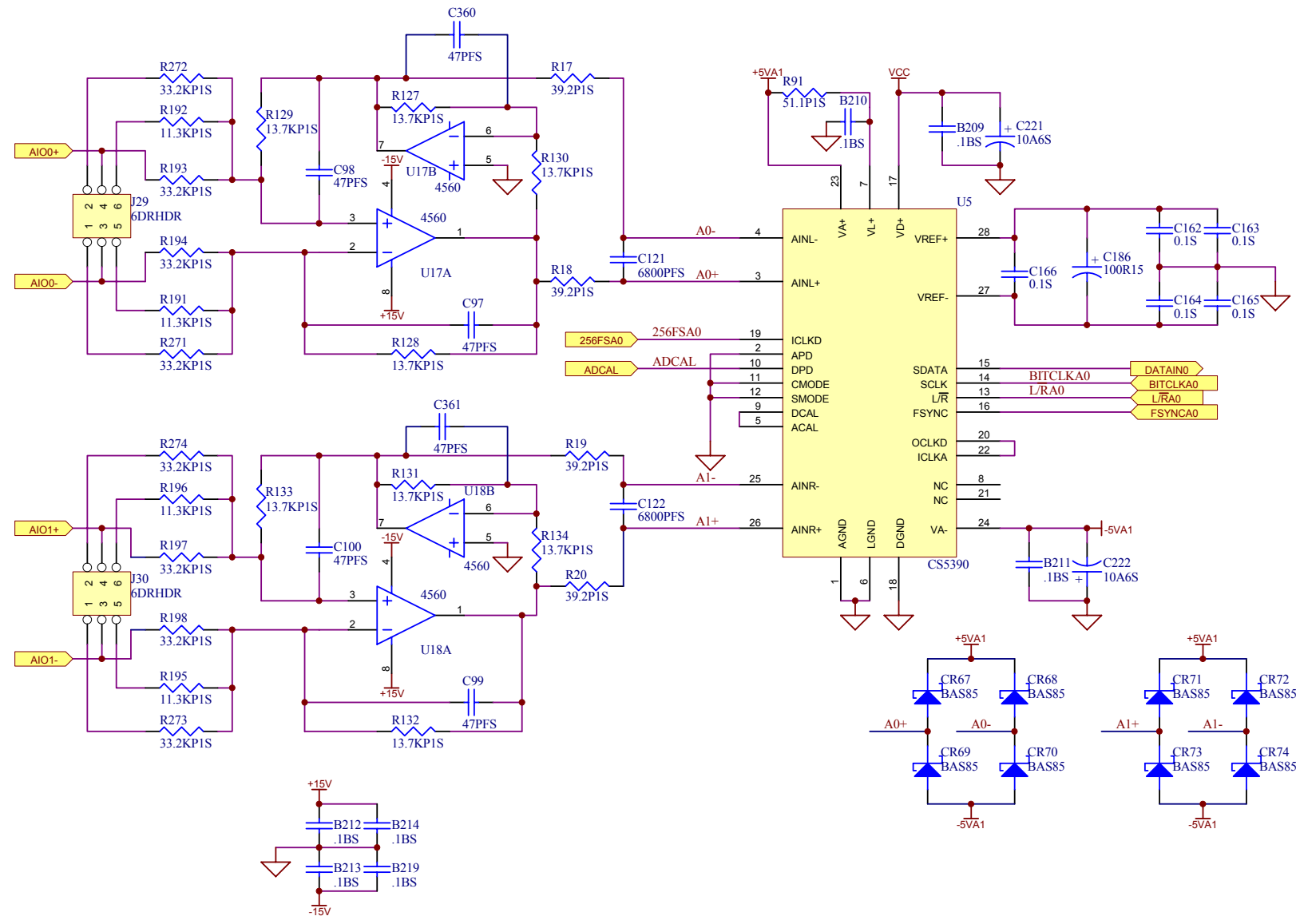


AUDIO PRODUCTS, INC.		1675 MACARTHUR BLVD. COSTA MESA, CA 92626	
Title: RAVE Analog, PLL / VCXO			
Size: B	Number: SH-000861-00	Rev B	
File: C:\DATA\schematics\RAVE_revB\Qscabbik.DDB - Documents\qscabdac.sch			
Date: 12-Dec-2001	Eng: Karl Fitzke	Sheet 10 of 36	

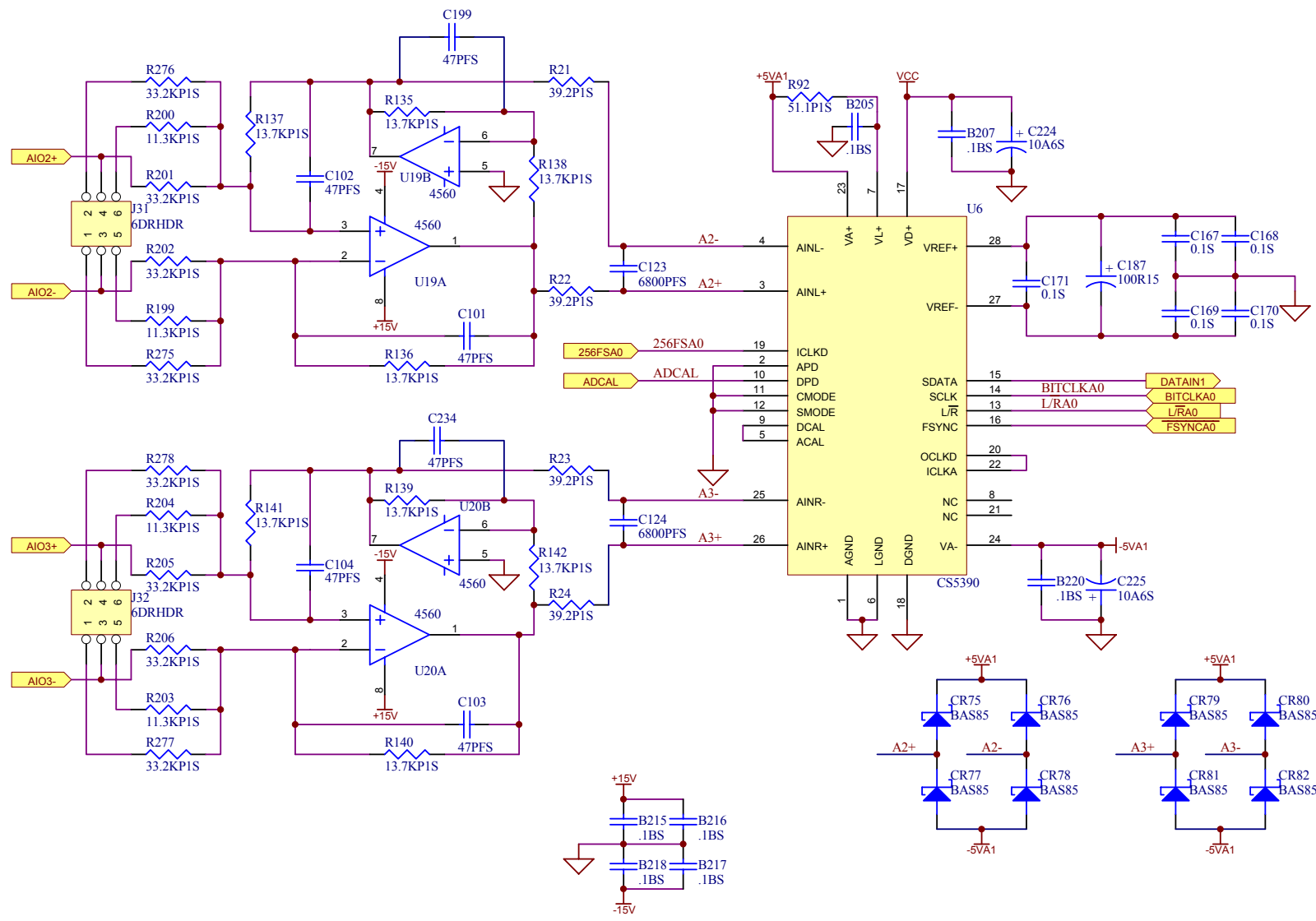
THIS DOCUMENT CONTAINS PROPRIETARY INFORMATION WHICH IS THE PROPERTY OF QSC AUDIO PRODUCTS. THAT MAY NOT BE DISCLOSED, REPRODUCED OR USED WITHOUT EXPRESS WRITTEN CONSENT FROM QSC AUDIO PRODUCTS.



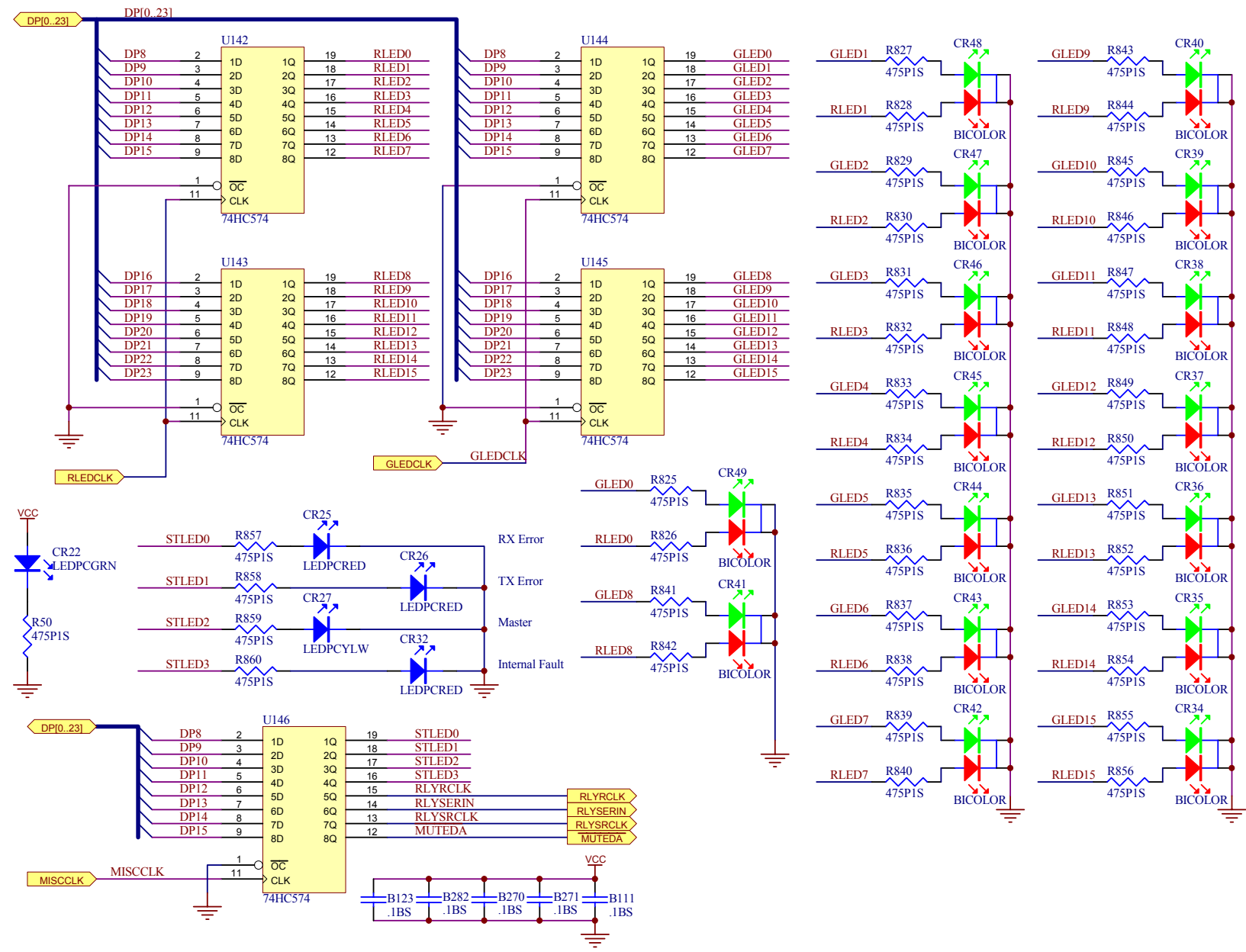
THIS DOCUMENT CONTAINS PROPRIETARY INFORMATION WHICH IS THE PROPERTY OF QSC AUDIO PRODUCTS. THAT MAY NOT BE DISCLOSED, REPRODUCED OR USED WITHOUT EXPRESS WRITTEN CONSENT FROM QSC AUDIO PRODUCTS.



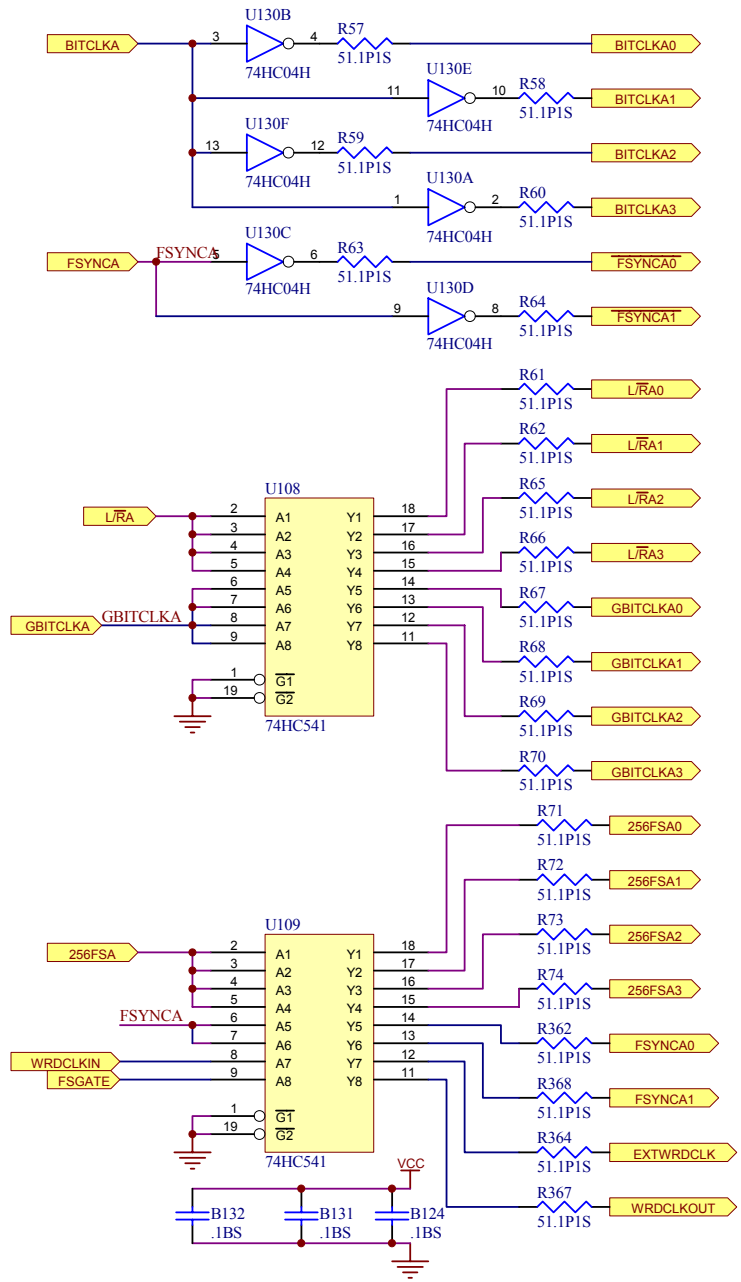
THIS DOCUMENT CONTAINS PROPRIETARY INFORMATION WHICH IS THE PROPERTY OF QSC AUDIO PRODUCTS. THAT MAY NOT BE DISCLOSED, REPRODUCED OR USED WITHOUT EXPRESS WRITTEN CONSENT FROM QSC AUDIO PRODUCTS.



THIS DOCUMENT CONTAINS PROPRIETARY INFORMATION WHICH IS THE PROPERTY OF QSC AUDIO PRODUCTS. THAT MAY NOT BE DISCLOSED, REPRODUCED OR USED WITHOUT EXPRESS WRITTEN CONSENT FROM QSC AUDIO PRODUCTS.

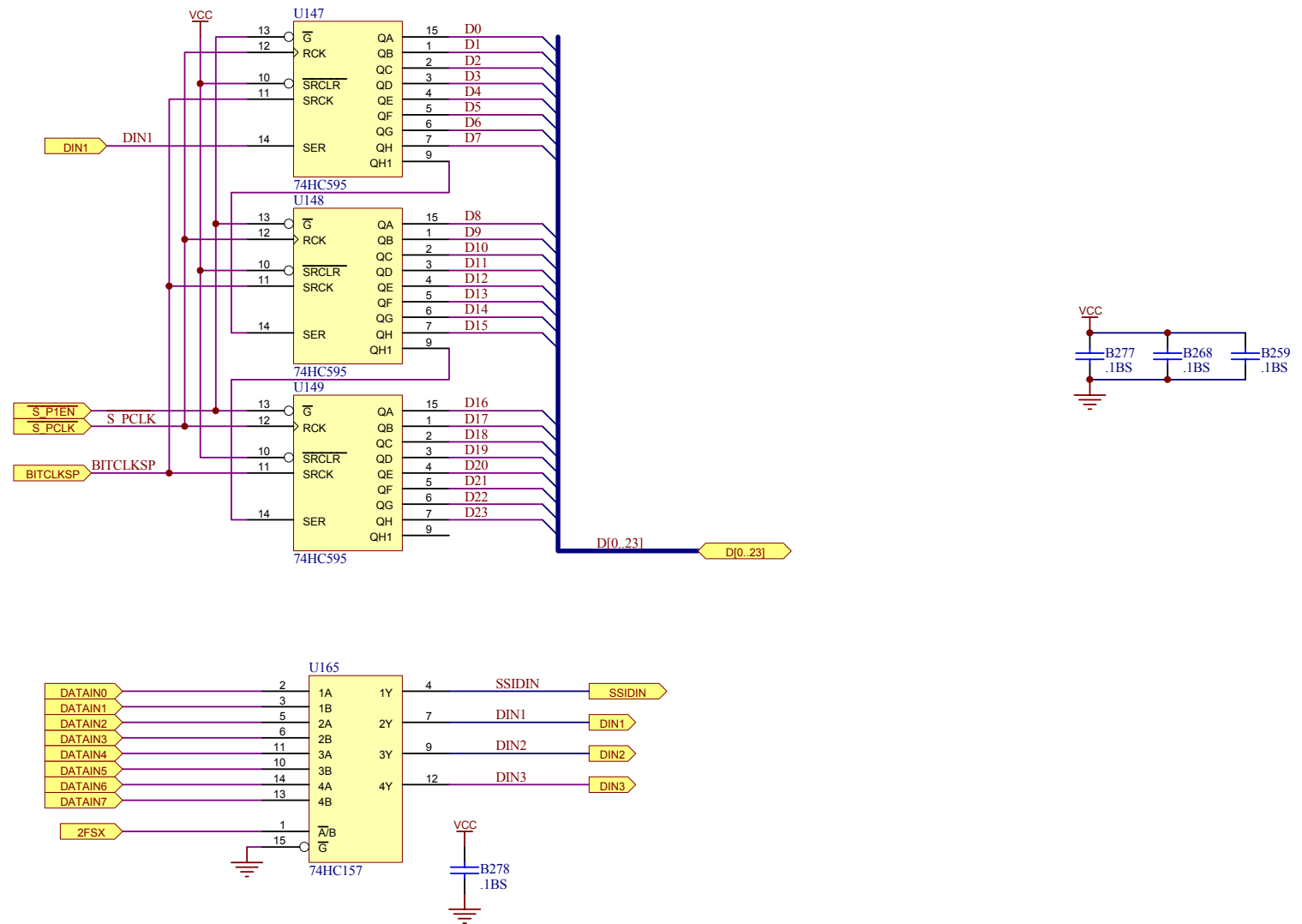


THIS DOCUMENT CONTAINS PROPRIETARY INFORMATION WHICH IS THE PROPERTY OF OSC AUDIO PRODUCTS. THAT MAY NOT BE DISCLOSED, REPRODUCED OR USED WITHOUT EXPRESS WRITTEN CONSENT FROM OSC AUDIO PRODUCTS.



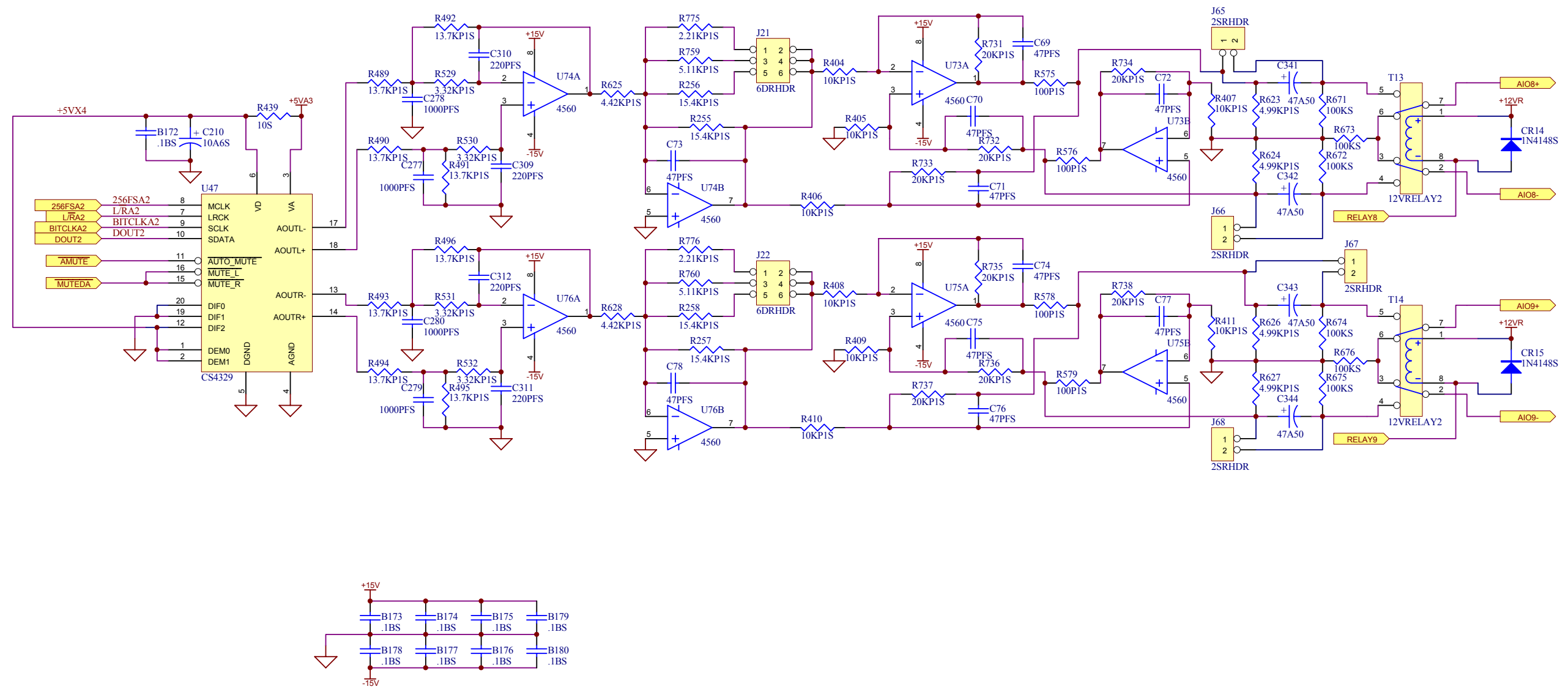
AUDIO PRODUCTS, INC.		1675 MACARTHUR BLVD. COSTA MESA, CA 92626	
Error: QSCLOGO.BMP file not found.			
Title: RAVE Analog I/O Signal Drivers			
Size: B	Number: SH-000861-00	Rev B	
File: C:\DATA\schematics\RAve_revB\Qscabbik.DDB - Documents\oscaBalq.sch			
Date: 12-Dec-2001	Eng: Karl Fitzke	Sheet 17 of 36	

THIS DOCUMENT CONTAINS PROPRIETARY INFORMATION WHICH IS THE PROPERTY OF QSC AUDIO PRODUCTS. THAT MAY NOT BE DISCLOSED, REPRODUCED OR USED WITHOUT EXPRESS WRITTEN CONSENT FROM QSC AUDIO PRODUCTS.

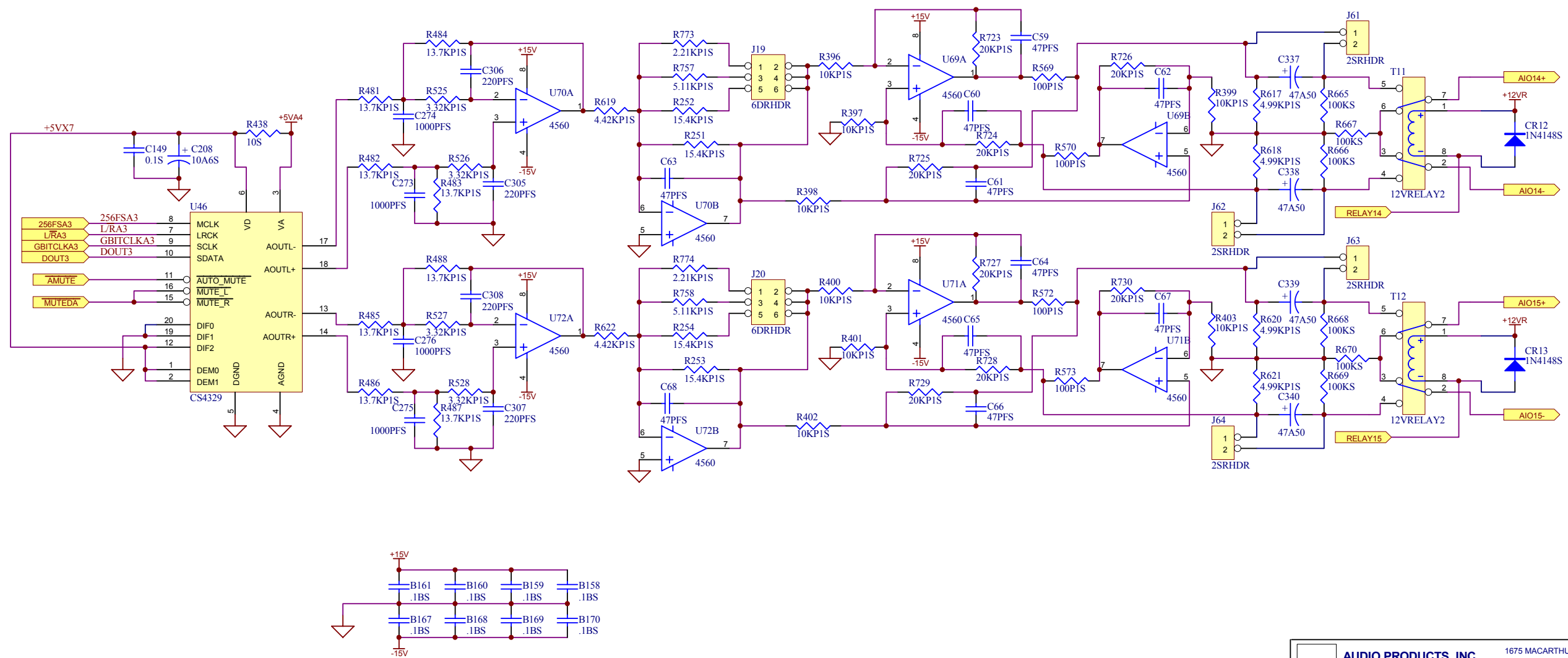


AUDIO PRODUCTS, INC.		1675 MACARTHUR BLVD. COSTA MESA, CA 92626	
Error: QSCLOGO.BMP file not found.			
Title: RAVE Analog Input Multiplexer #0			
Size: B	Number: SH-000861-00	Rev B	
File: C:\DATA\schematics\RAVE_revB\Qscabbik.DDB - Documents\qscab\mux.sch			
Date: 12-Dec-2001	Eng: Karl Fitzke	Sheet 18 of 36	

THIS DOCUMENT CONTAINS PROPRIETARY INFORMATION WHICH IS THE PROPERTY OF QSC AUDIO PRODUCTS. THAT MAY NOT BE DISCLOSED, REPRODUCED OR USED WITHOUT EXPRESS WRITTEN CONSENT FROM QSC AUDIO PRODUCTS.

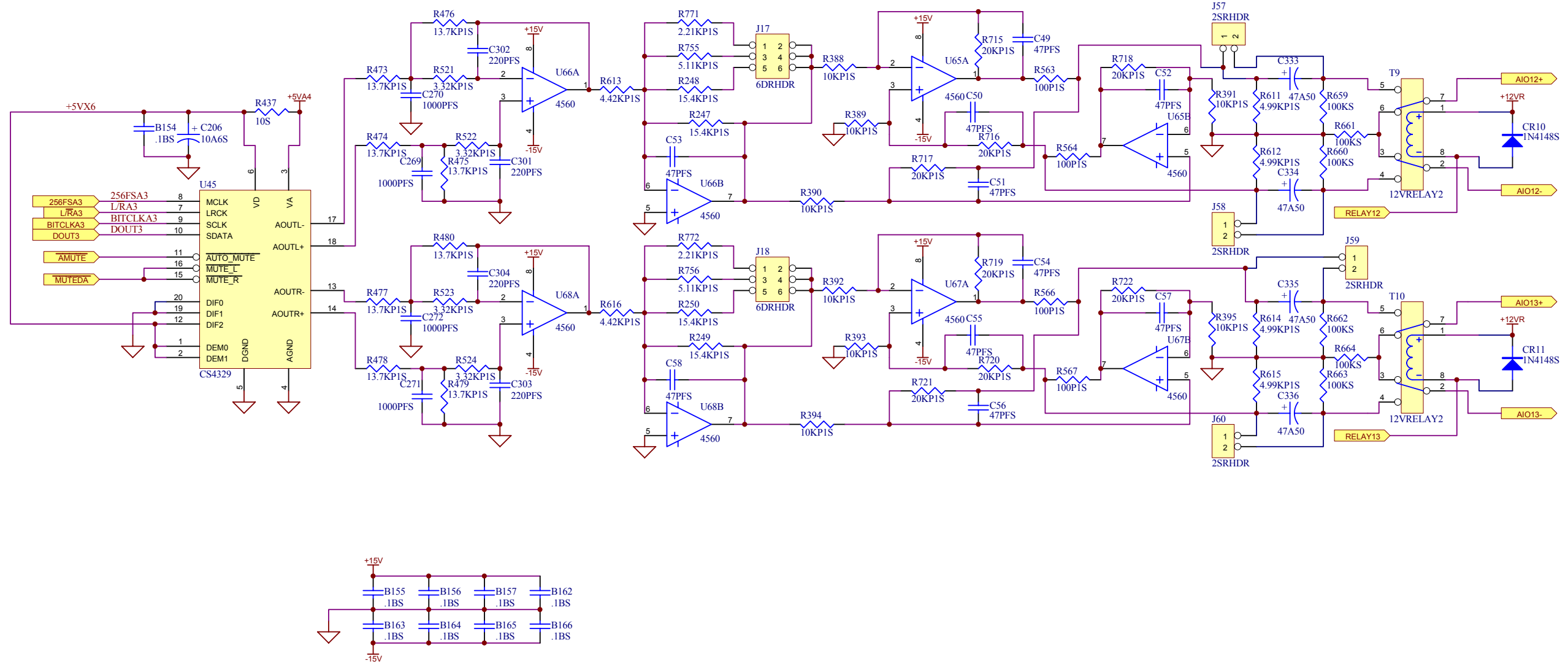


THIS DOCUMENT CONTAINS PROPRIETARY INFORMATION WHICH IS THE PROPERTY OF QSC AUDIO PRODUCTS. THAT MAY NOT BE DISCLOSED, REPRODUCED OR USED WITHOUT EXPRESS WRITTEN CONSENT FROM QSC AUDIO PRODUCTS.



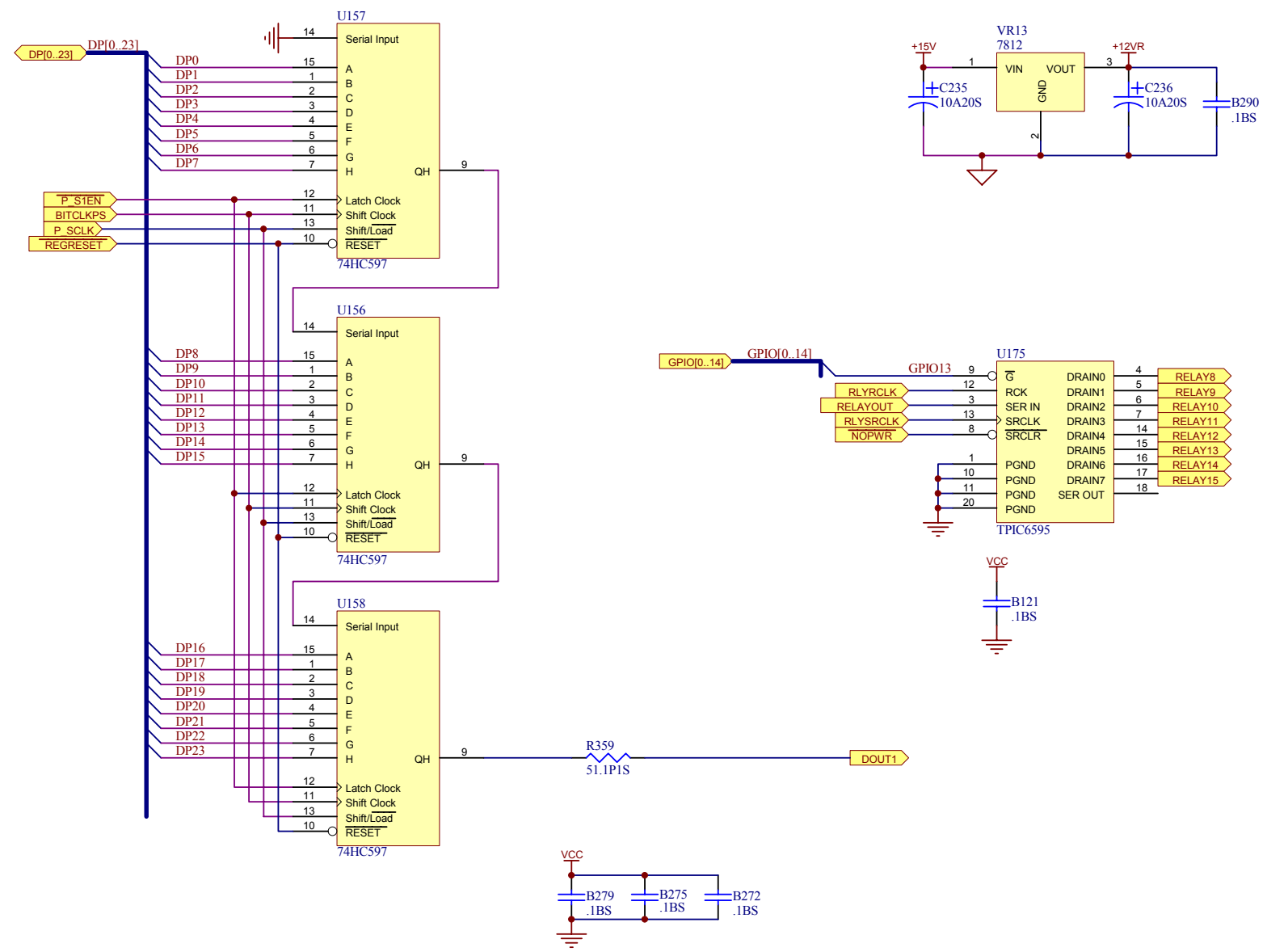
AUDIO PRODUCTS, INC.		1675 MACARTHUR BLVD. COSTA MESA, CA 92626	
Error: QSC\LOGO.BMP file not found.			
Title: RAVE Analog Outputs #14-15			
Size: B	Number: SH-000861-00	Rev B	
File: C:\DATA\schematics\RAVE_revB\Qscabbik.DDB - Documents\qsc\Bao7.sch			
Date: 12-Dec-2001	Eng: Karl Fitzke	Sheet 24 of 36	

THIS DOCUMENT CONTAINS PROPRIETARY INFORMATION WHICH IS THE PROPERTY OF QSC AUDIO PRODUCTS. THAT MAY NOT BE DISCLOSED, REPRODUCED OR USED WITHOUT EXPRESS WRITTEN CONSENT FROM QSC AUDIO PRODUCTS.

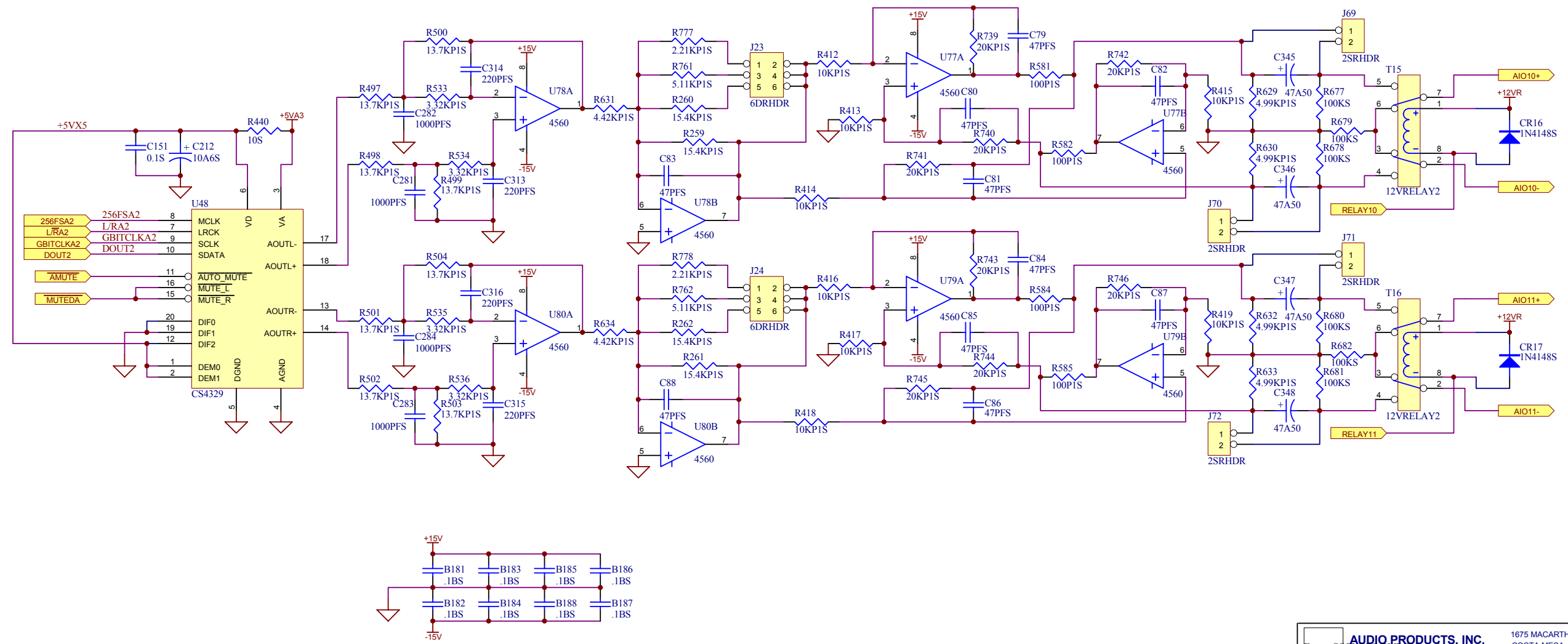


AUDIO PRODUCTS, INC.		1675 MACARTHUR BLVD. COSTA MESA, CA 92626	
Error: QSC\LOGO.BMP file not found.			
Title: RAVE Analog Outputs #12-13			
Size: B	Number: SH-000861-00	Rev B	
File: C:\DATA\schematics\RAVE_revB\Qscabbik.DDB - Documents\qscab06.sch			
Date: 12-Dec-2001	Eng: Karl Fitzke	Sheet 25 of 36	

THIS DOCUMENT CONTAINS PROPRIETARY INFORMATION WHICH IS THE PROPERTY OF QSC AUDIO PRODUCTS. THAT MAY NOT BE DISCLOSED, REPRODUCED OR USED WITHOUT EXPRESS WRITTEN CONSENT FROM QSC AUDIO PRODUCTS.

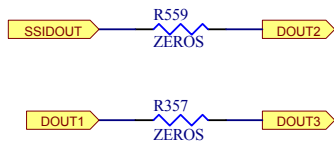
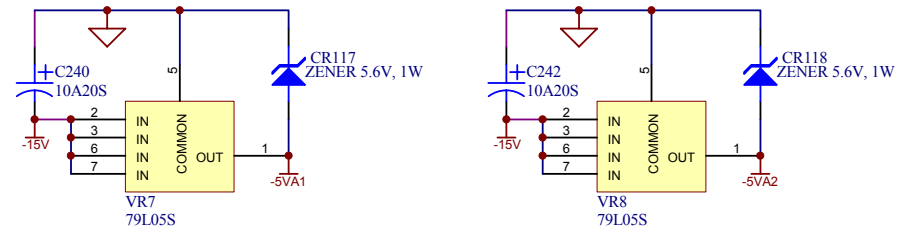


THIS DOCUMENT CONTAINS PROPRIETARY INFORMATION WHICH IS THE PROPERTY OF QSC AUDIO PRODUCTS. THAT MAY NOT BE DISCLOSED, REPRODUCED OR USED WITHOUT EXPRESS WRITTEN CONSENT FROM QSC AUDIO PRODUCTS.



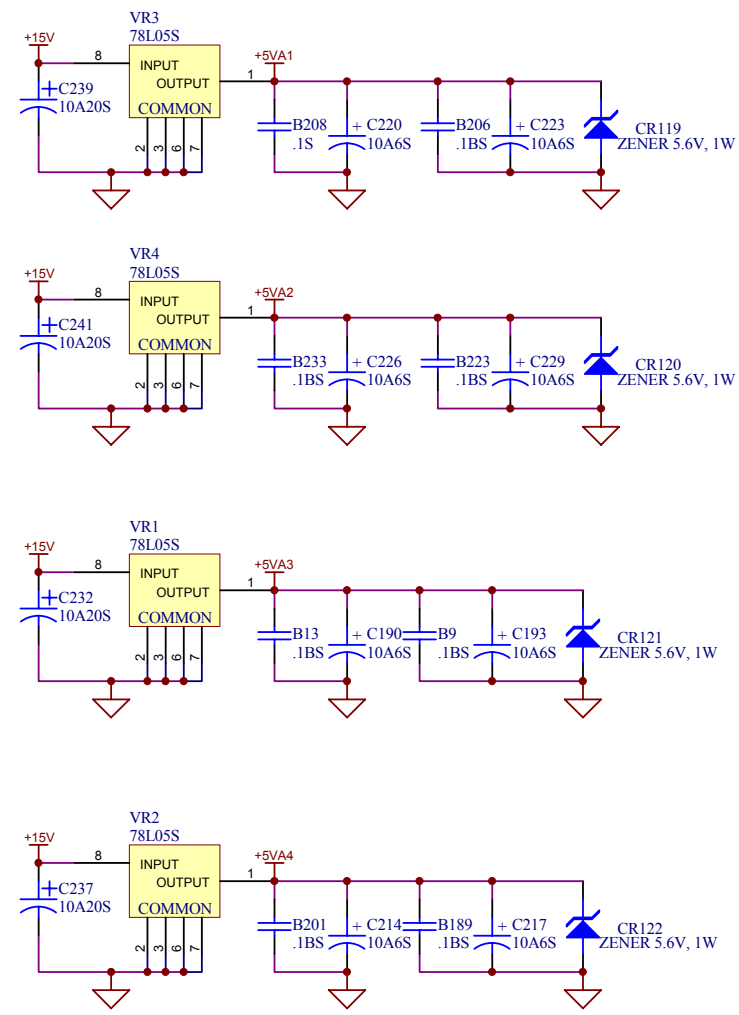
AUDIO PRODUCTS, INC.		1675 MACARTHUR BLVD. COSTA MESA, CA 92626	
Error: QSC\LOGO.BMP file not found.			
Title: RAVE Analog Outputs #10-11			
Size: B	Number: SH-000861-00	Rev B	
File: C:\DATA\schematics\RAVE_revB\Qscabbik.DDB - Documents\qsc\Bao5.sch			
Date: 12-Dec-2001	Eng: Karl Fitzke	Sheet 30 of 36	

THIS DOCUMENT CONTAINS PROPRIETARY INFORMATION WHICH IS THE PROPERTY OF QSC AUDIO PRODUCTS. THAT MAY NOT BE DISCLOSED, REPRODUCED OR USED WITHOUT EXPRESS WRITTEN CONSENT FROM QSC AUDIO PRODUCTS.



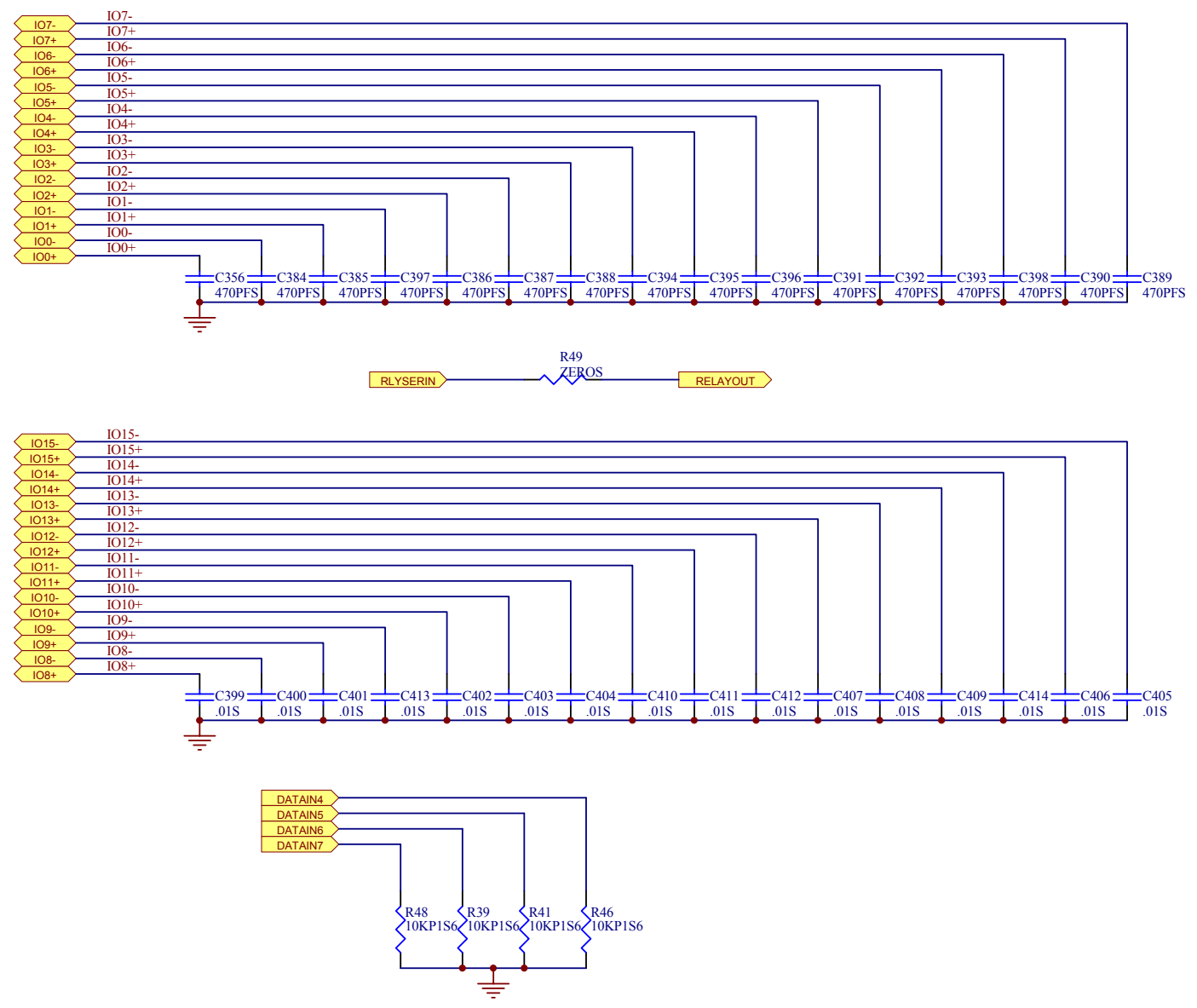
AUDIO PRODUCTS, INC.		1675 MACARTHUR BLVD. COSTA MESA, CA 92626	
Error: QSC\LOGO.BMP file not found.			
Title: RAVE Analog, -5V Voltage Reg			
Size: B	Number: SH-000861-00	Rev B	
File: C:\DATA\schematics\RAVE_revB\Qscabbik.DDB - Documents\qscabr2.sch			
Date: 12-Dec-2001	Eng: Karl Fitzke	Sheet 32 of 36	

THIS DOCUMENT CONTAINS PROPRIETARY INFORMATION WHICH IS THE PROPERTY OF QSC AUDIO PRODUCTS. THAT MAY NOT BE DISCLOSED, REPRODUCED OR USED WITHOUT EXPRESS WRITTEN CONSENT FROM QSC AUDIO PRODUCTS.



AUDIO PRODUCTS, INC.		1675 MACARTHUR BLVD. COSTA MESA, CA 92626	
Error: QSC\LOGO.BMP file not found.			
Title: RAVE Analog, +5V Voltage Reg			
Size: B	Number: SH-000861-00	Rev B	
File: C:\DATA\schematics\RAVE_revB\Qscabbik.DDB - Documents\qscabvrm.sch			
Date: 12-Dec-2001	Eng: Karl Fitzke	Sheet 33 of 36	

THIS DOCUMENT CONTAINS PROPRIETARY INFORMATION WHICH IS THE PROPERTY OF QSC AUDIO PRODUCTS. THAT MAY NOT BE DISCLOSED, REPRODUCED OR USED WITHOUT EXPRESS WRITTEN CONSENT FROM QSC AUDIO PRODUCTS.



AUDIO PRODUCTS, INC.		1675 MACARTHUR BLVD. COSTA MESA, CA 92626	
Error: QSCLOGO.BMP file not found.			
Title: RAVE Analog, Audio Output Caps			
Size: B	Number: Sh-000861-00	Rev B	
File: C:\DATA\schematics\RAve_revB\Qscabbik.DDB - Documents\qscabcp8.sch			
Date: 12-Dec-2001	Eng: Karl Fitzke	Sheet 34 of 36	

THIS DOCUMENT CONTAINS PROPRIETARY INFORMATION WHICH IS THE PROPERTY OF QSC AUDIO PRODUCTS. THAT MAY NOT BE DISCLOSED, REPRODUCED OR USED WITHOUT EXPRESS WRITTEN CONSENT FROM QSC AUDIO PRODUCTS.

