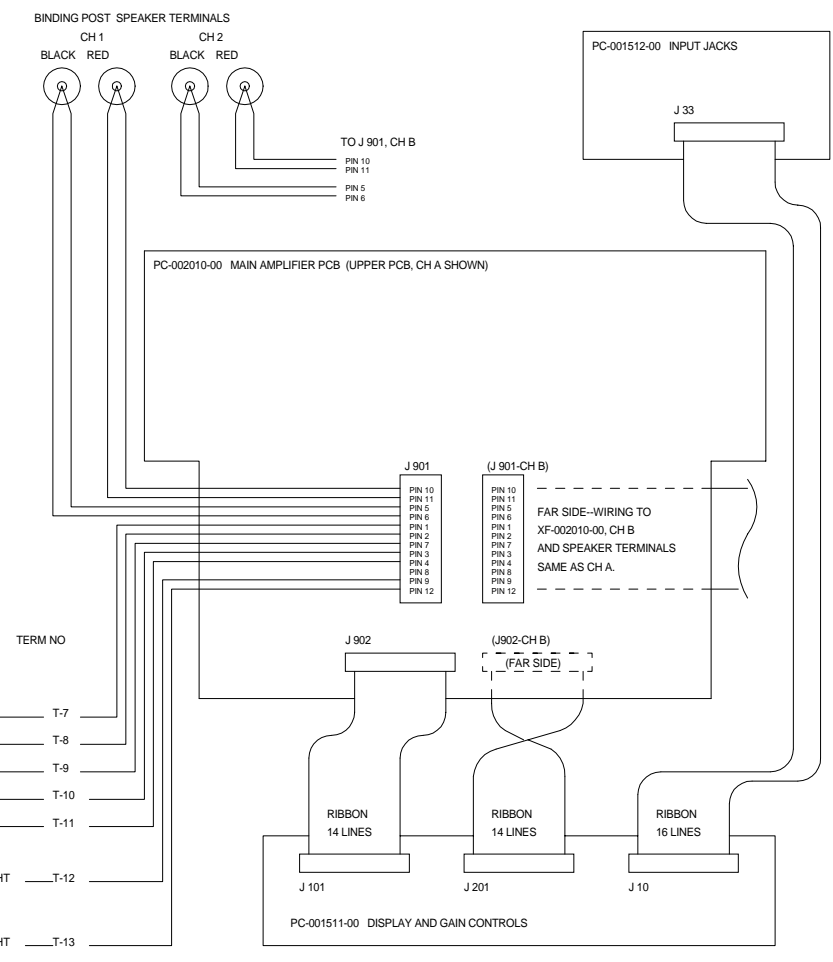
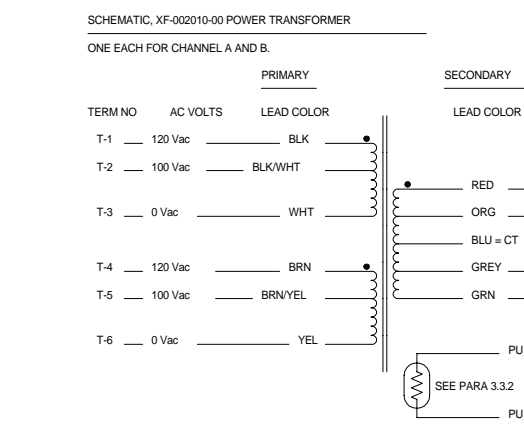
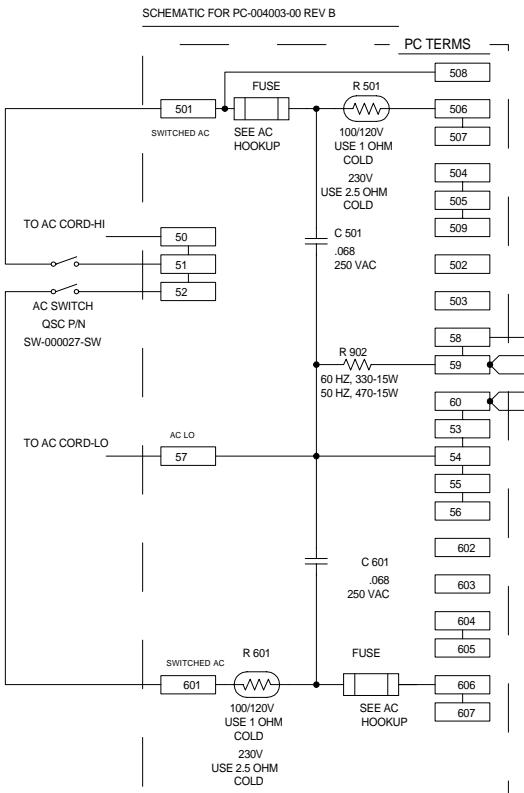
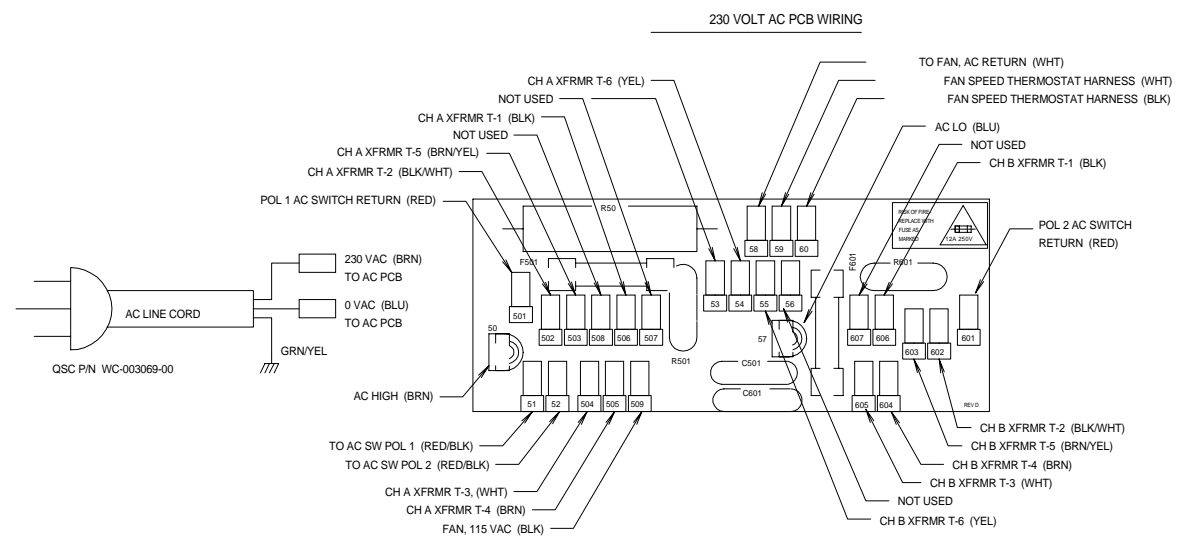
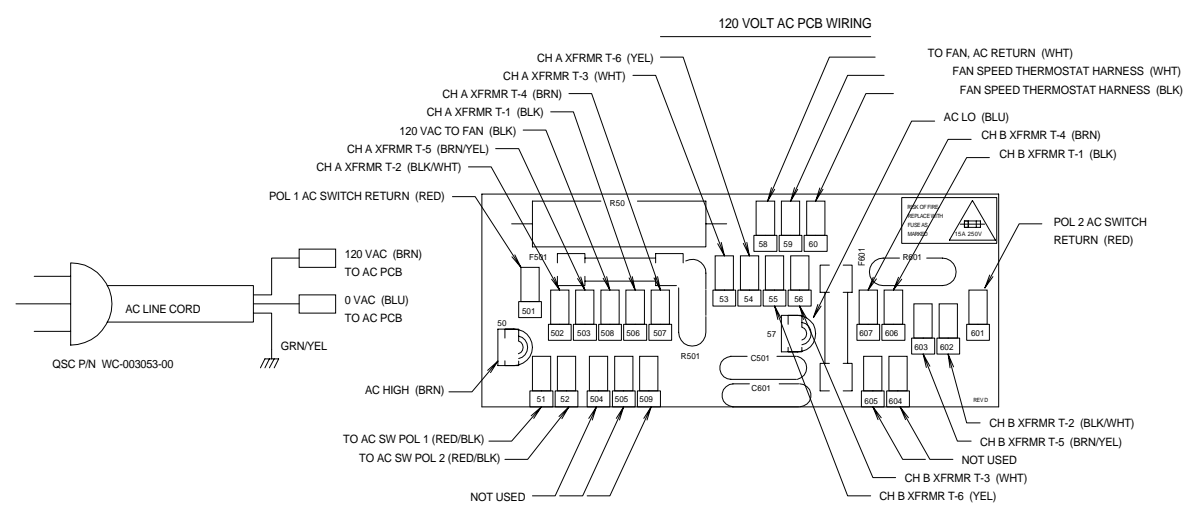
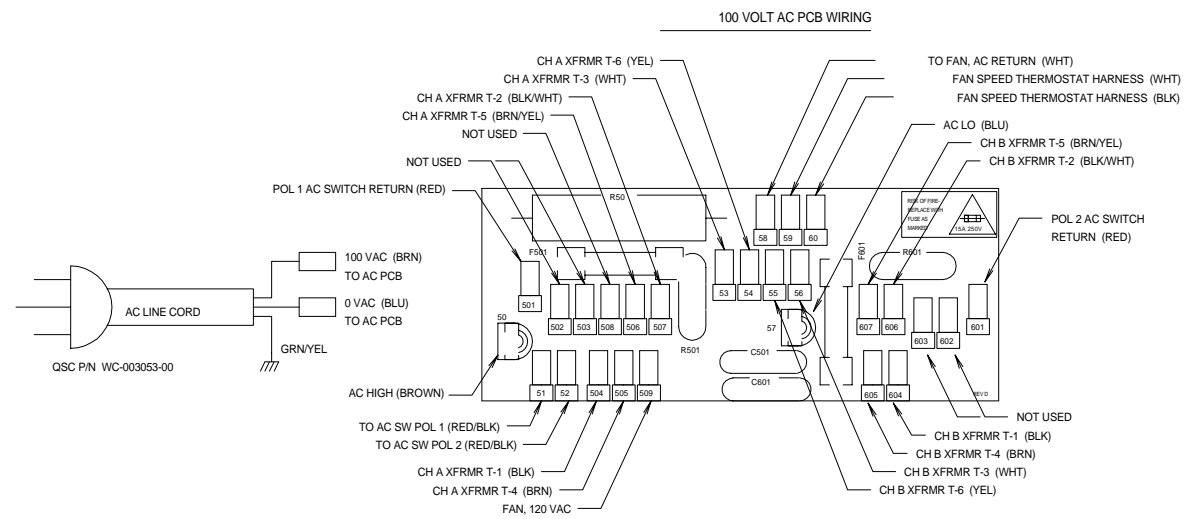


THIS DOCUMENT CONTAINS PROPRIETARY INFORMATION WHICH IS THE PROPERTY OF QSC AUDIO PRODUCTS, THAT MAY NOT BE DISCLOSED, REPRODUCED OR USED WITHOUT EXPRESS WRITTEN CONSENT FROM QSC AUDIO PRODUCTS.

REVISIONS				
ZONE	REV	DESCRIPTION	DATE	APPROVED
	A	PROTO RELEASE, PHQ	9-2-91	
	B	PRODUCTION RELEASE PER ECO 1329, PHQ	19-1-91	SGM
	C	REVISED PER ECO 1480 LMG	6-18-92	SGM
	D	REVISED PER ECO 1735 WR	6-18-92	SGM
	E	REVISED PER ECO 2201 WR (EFF. 8-5-94)		



NOTES: UNLESS OTHERWISE SPECIFIED

PARTS LIST		CONTRACT NO.		QSC AUDIO PRODUCTS, INC. COSTA MESA, CALIFORNIA	
UNLESS OTHERWISE SPECIFIED DIMENSIONS ARE IN INCHES. DIMENSIONS PER ANSI Y14.5-1982 TOLERANCES ARE: DECIMALS DECIMALS ANGLES xx ± .02 xxx ± .010 ± 1/2° DEBURR EDGES .XXX R MAX		APPROVALS	DATE	SCHEMATIC/WIRING DIAGRAM MX 2000a	
MATERIAL		PHQ	9-2-91	ISSUED	
FINISH		CHECKED		SIZE	PSOM NO.
APPLICATION	WP-002003-XX MX 2000a	ISSUED		D	DWG NO.
	NEXT ASSY USED ON	CAD SEED FILE NO.	SH2011CD.FCD	SCALE	NONE
	DO NOT SCALE DRAWING	CAD FILE NO.	SH2011E1.FCD	SHEET	1 OF 1