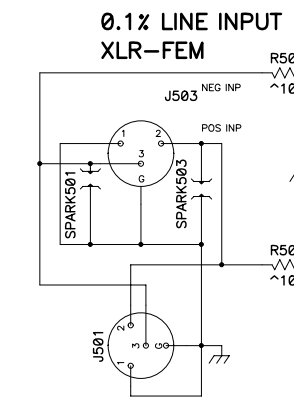
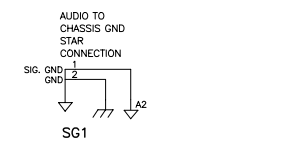
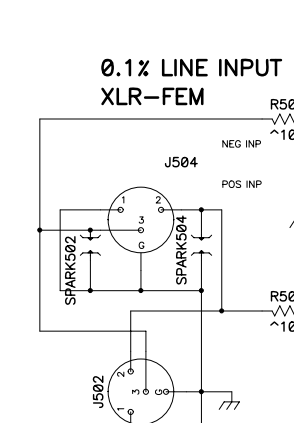


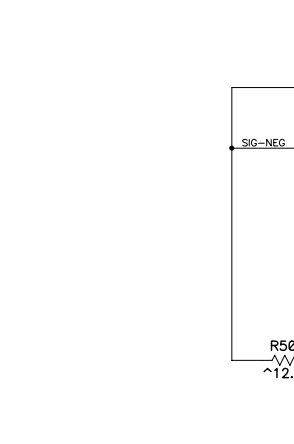
THIS DOCUMENT CONTAINS PROPRIETARY INFORMATION WHICH IS THE PROPERTY OF QSC AUDIO PRODUCTS, THAT MAY NOT BE DISCLOSED, REPRODUCED OR USED WITHOUT EXPRESS WRITTEN CONSENT FROM QSC AUDIO PRODUCTS.



0.1% LINE INPUT XLR-FEM
HIGH PERFORMANCE BALANCED INPUTS
0.775V (+0dBu, 1Vp) FOR
FULL POWER OUTPUT AT 12 O'CLOCK GAIN



0.1% LINE INPUT XLR-FEM
LINE OUTPUT, XLR-MALE



4TH ORDER HP-40Hz
DUAL-4B



4TH ORDER HP-100Hz
DUAL-2

4TH ORDER HP-100Hz
DUAL-3

4TH ORDER HP-100Hz
DUAL-4A

4TH ORDER LP, 100Hz
QUAD-8

LIMITER CONTROL PROCESSING

SIGNAL-PRESENCE LED DRIVER

DUAL-4A GAIN BUFFER AND LIMITER

SUB GAIN

POLARITY SWITCH

LED DRIVER

LED DRIVER

LED DRIVER

LED DRIVER

LED DRIVER

LED DRIVER

LED DRIVER

LED DRIVER

LED DRIVER

LED DRIVER

LED DRIVER

LED DRIVER

LED DRIVER

LED DRIVER

LED DRIVER

LED DRIVER

LED DRIVER

LED DRIVER

LED DRIVER

LED DRIVER

LED DRIVER

LED DRIVER

LED DRIVER

LED DRIVER

LED DRIVER

LED DRIVER

LED DRIVER

LED DRIVER

LED DRIVER

LED DRIVER

LED DRIVER

LED DRIVER

LED DRIVER

LED DRIVER

LED DRIVER

LED DRIVER

LED DRIVER

LED DRIVER

LED DRIVER

LED DRIVER

LED DRIVER

LED DRIVER

LED DRIVER

LED DRIVER

LED DRIVER

LED DRIVER

LED DRIVER

LED DRIVER

LED DRIVER

LED DRIVER

LED DRIVER

LED DRIVER

LED DRIVER

LED DRIVER

LED DRIVER

LED DRIVER

LED DRIVER

LED DRIVER

LED DRIVER

LED DRIVER

LED DRIVER

LED DRIVER

LED DRIVER

LED DRIVER

LED DRIVER

LED DRIVER

LED DRIVER

LED DRIVER

LED DRIVER

LED DRIVER

LED DRIVER

LED DRIVER

LED DRIVER

LED DRIVER

LED DRIVER

LED DRIVER

LED DRIVER

LED DRIVER

LED DRIVER

LED DRIVER

LED DRIVER

LED DRIVER

LED DRIVER

LED DRIVER

LED DRIVER

LED DRIVER

LED DRIVER

LED DRIVER

LED DRIVER

LED DRIVER

LED DRIVER

LED DRIVER

LED DRIVER

LED DRIVER

LED DRIVER

LED DRIVER

LED DRIVER

LED DRIVER

LED DRIVER

LED DRIVER

LED DRIVER

LED DRIVER

LED DRIVER

LED DRIVER

LED DRIVER

LED DRIVER

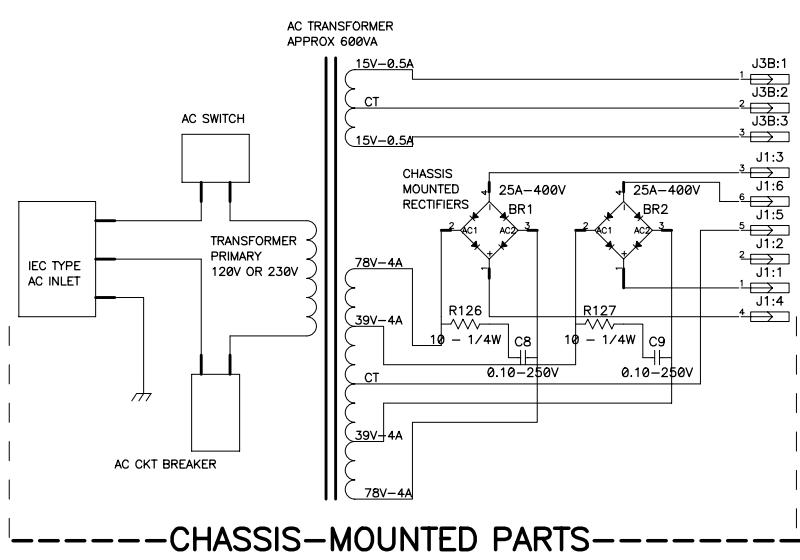
LED DRIVER

LED DRIVER

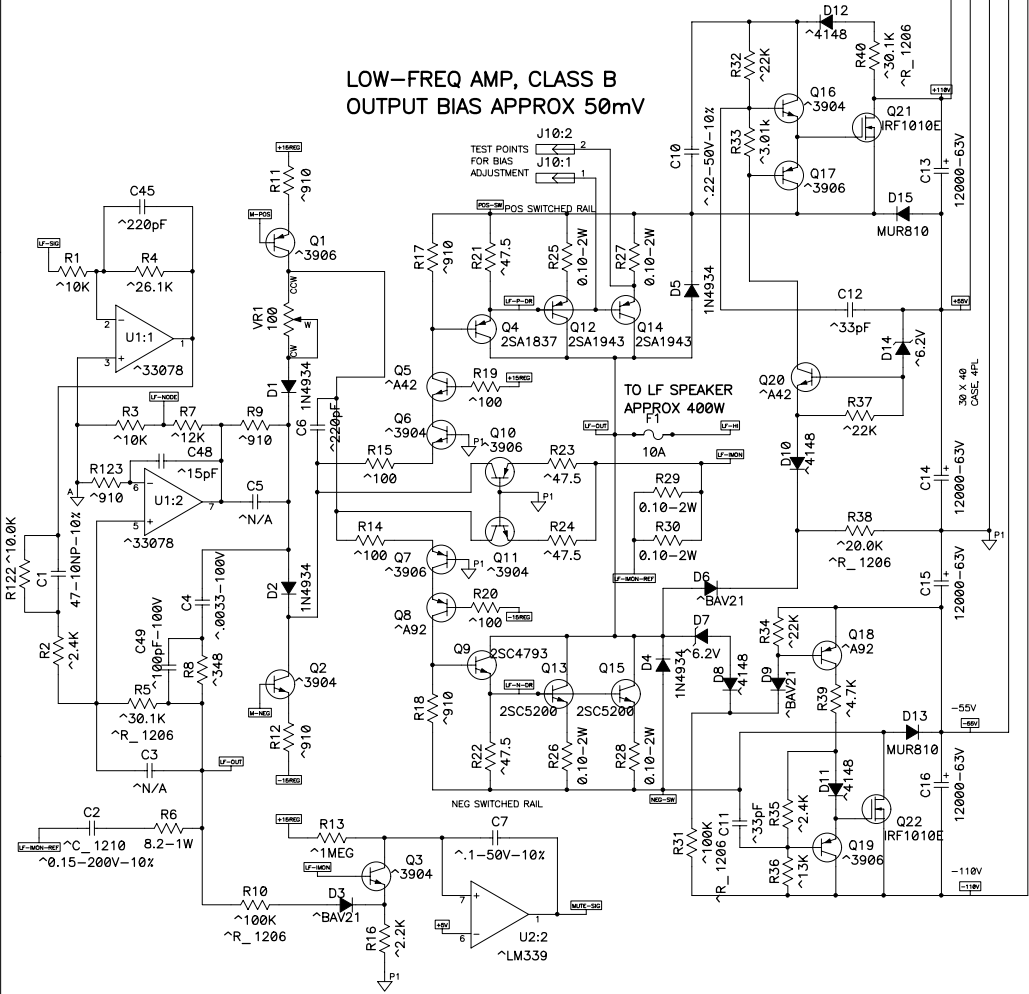
LED DRIVER

LED DRIVER

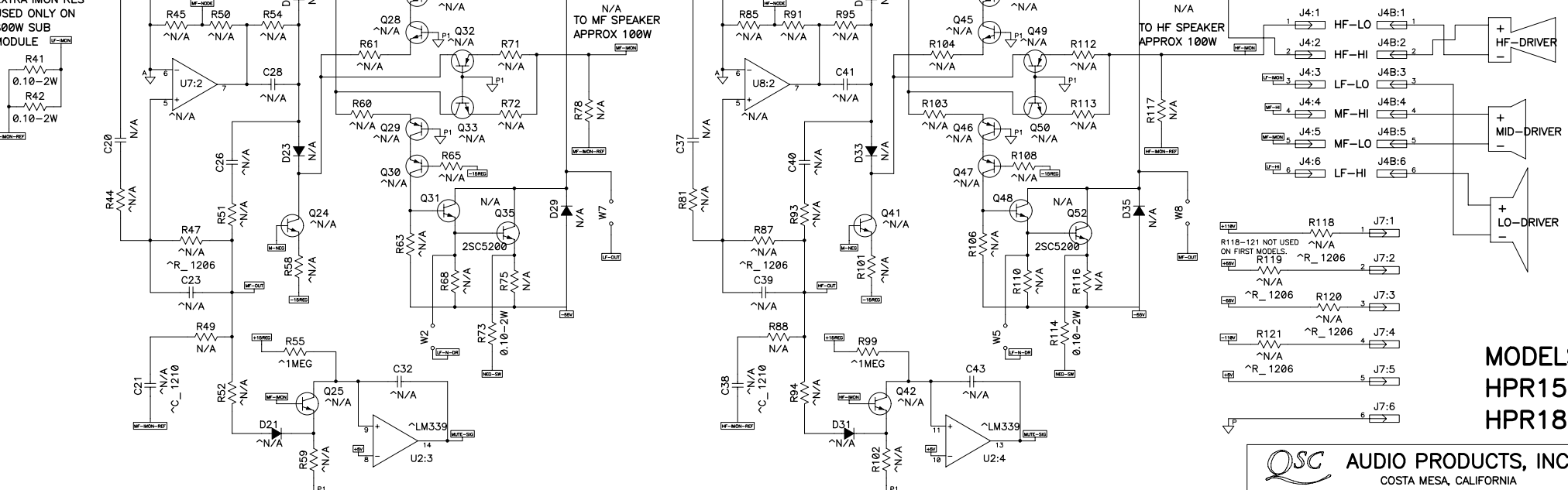
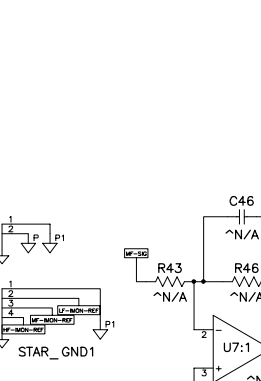
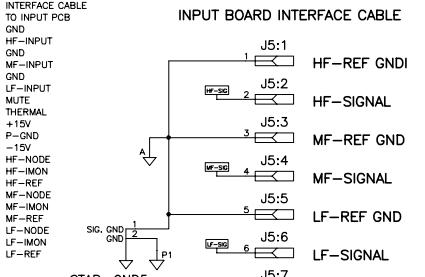
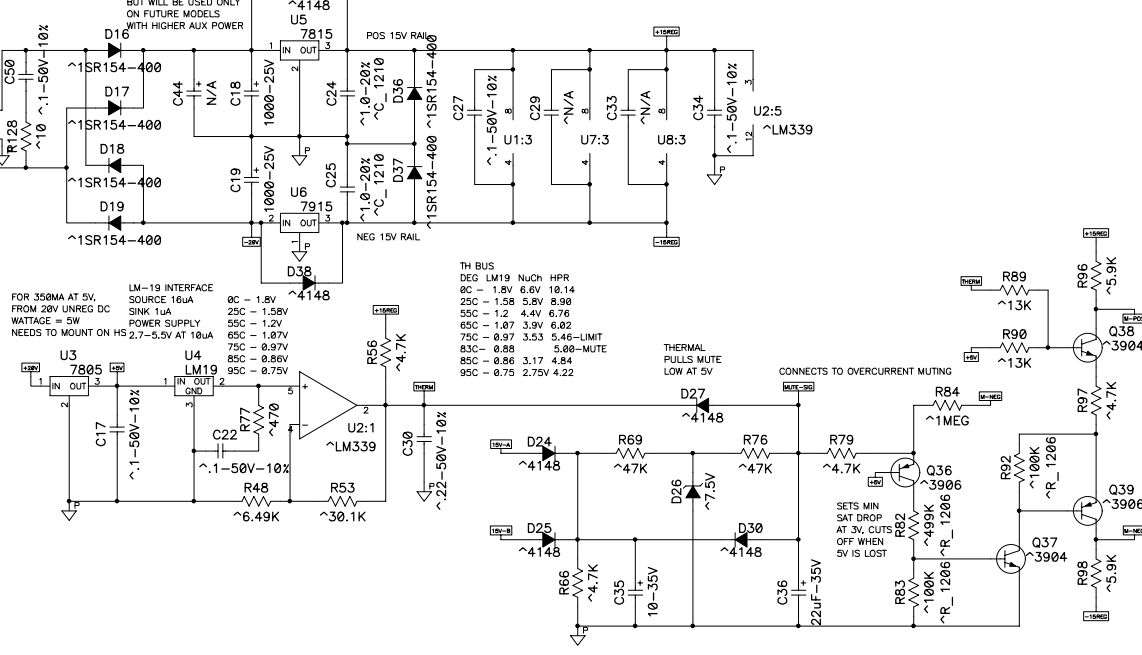
THIS DOCUMENT CONTAINS PROPRIETARY INFORMATION WHICH IS THE PROPERTY OF QSC AUDIO PRODUCTS, THAT MAY NOT BE DISCLOSED, REPRODUCED OR USED WITHOUT EXPRESS WRITTEN CONSENT FROM QSC AUDIO PRODUCTS.



**LOW-FREQ AMP, CLASS B
 OUTPUT BIAS APPROX 50mV**



RAIL CURRENT REQUIREMENTS:
 10 TL-872 OPAMP SECTIONS AT 2MA = 20MA
 5532 AT 10MA, PLUS DRIVE CURRENTS 18MA
 =40MA OR SO, AT APPROX 20V = 0.8W PER REGULATOR



CAPACITORS, VALUE INDICATES SURFACE MOUNT, 0805 UNLESS SHOWN
 DIODES AND TRANSISTORS, VALUE INDICATES SMT, SOT-23 PACKAGE
 IC'S, VALUE INDICATES SMT, MINI-DIP PACKAGE
 RESISTORS, VALUE INDICATES SURFACE MOUNT, 1X, 0805 UNLESS NOTED
 RESISTORS, VALUE INDICATES THRU-HOLE, WATTAGE AS MARKED, DIA LESS THAN 0.18 INCHES
 NOTES: UNLESS OTHERWISE SPECIFIED

FOR 800W SUBWOOFER MODEL
 IN MF-AMP SECTION,
 INSTALL ONLY W1, W2, W3, W7, R69, R72, Q34, Q35

FOR 800W SUBWOOFER MODEL
 IN HF AMP SECTION:
 INSTALL ONLY W4, W5, W6, W8, R110, R113, Q51, Q52

DO NOT RENUMBER !!

QSC AUDIO PRODUCTS, INC.
 COSTA MESA, CALIFORNIA

**MODELS:
 HPR151W
 HPR181W**

HPR1X1W 1-CH AMPLIFIER

SIZE	FSCM NO.	DWG NO.	REV
D		SH-000943-00	7
SCALE	CAD FILE NO.	SHEET	1

SH-000943-00

Part Number	Description	Qty	Ref Des
CA-015005-GP	15PF, 5 PCNT, 50V, CERAMIC, 0805,	5	C48, C544, C545, C546, C547
CA-033003-GP	33PF, 5%, 50V, CC, 0805, 1.2X	2	C11, C12
CA-110005-GP	CC 50V 100PF 5% 0805 1.2	1	C548
CA-110007-GP	100P, 5%, 100V, CTC, 0805, 0/30	1	C49
CA-122005-GP	CC 50V 220PF 5% 0805	3	C45, C522, C6
CA-147006-GP	470PF 5% 50V CER NPO	4	C501, C502, C503, C504
CA-233009-GP	3300P, 5%, 100V, CTC, 1206, 0/30	1	C4
CA-347007-GP	.047UF, 5 PCNT, 63V, CM, RBT,	1	C538
CA-368006-GP	.068UF, 5 PCNT, 50V, FILM, ,	1	C533
CA-382001-GP	0.082U, 5%, 63V, CM, , RBT, 7.5	3	C517, C518, C519
CA-410014-GP	0.1UF 10% 50V CER X7R 0805	15	C17, C22, C27, C34, C50, C523, C526, C528, C531, C532, C534, C535, C539, C540, C7
CA-410018-GP	CM 250V .1UF 5% RL	2	C8, C9
CA-415004-GP	0.15U, 5%, 63V, CM, , RBT, 7.5X	3	C521, C524, C525
CA-415006-GP	.15UF, 5 PCNT, 200V, CC, 1210,	1	C2
CA-422010-GP	0.22U, 10%, 50V, CC, 0805,	2	C10, C30
CA-422011-GP	0.22U, 5%, 63V, CM, , RBT, 7.5X	14	C505, C506, C507, C508, C509, C510, C511, C512, C513, C514, C515, C516, C529, C536
CA-510017-GP	1UF, 20 PCNT, 50V, CC, SMT, 1210	2	C24, C25
CA-610009-GP	CE 35V 10UF 20% RL 5 X 11	1	C35
CA-622010-GP	22UF, 20%, 35V, CE, , RLT, 5x11	1	C36
CA-647006-GP	CE 16NP 47UF 20% RL	4	C1, C520, C527, C537
CA-710013-GP	100U, 20%, 25V, CE, , 5X11, RLT	1	C530
CA-747009-GP	470UF, 20%, 16V, CE, , RLT	2	C542, C543
CA-810007-GP	1000UF, 20%, 25V, CE, , RLT	2	C18, C19
CA-912001-GP	12000UF, 20 PCNT, 63V, CE, RL, ,	4	C13, C14, C15, C16
CH-000173-GP	COVER, XFMR, STEEL, LARGE	1	
CH-000425-GP	PANEL-LEFT (AC), BLACK, , HPR,	1	
CH-000485-GP	PANEL-INPUT, BLACK 181, , HPR,	1	
CH-000489-GP	PLATE-SPRING STEEL, , , ,	5	
CH-000490-GP	HEATSINK, 381X189.2X38.1, , HPR,	1	
CO-000058-GP	XLR, CONNECTOR, 3PM, , ,	4	J501, J502, J505, J506
CO-000204-GP	CONN XLR F VERT PLASTIC	2	J503, J504
CO-000211-GP	AC INLET 250V 15A	1	
CO-000213-GP	CONN 2 PIN STRAIGHT WAFER	1	J509A
CO-000214-GP	CONN 3 PIN STRAIGHT WAFER	1	J3
CO-000281-GP	HDR 6.3MM CNTR 6P(2X3)MALE	2	J2, J4
CO-000349-GP	WIRE HOLDER, RIBBON CABLE, 10 POS, FEMALE,	3	J507, J508B, J510
CO-000350-GP	WIRE TRAP, RIBBON CABLE, 10 POS, FEMALE, RELEASEABLE	3	J5, J508A, J6
HW-000075-GP	FUSE HOLDER, , , , ,	2	F1
HW-000102-GP	BRASS POST, D6X10, , , ,	3	
HW-000103-GP	BRASS POST, D6X8, , , , ,	4	
IC-000075-GP	IC VOLTAGE REG, +5, LM78L05, SMT,	1	U509
IC-000076-GP	IC LM339, SMD COMPARATORS, , ,	1	U2
IC-000077-GP	IC LM13700M, , , SMT,	1	U506
IC-000078-GP	IC LM19, THERMAL SENSOR, , TO-92,	1	U4
IC-000079-GP	IC MC33078, OP-AMP, , SMT,	2	U1, U502
IC-000377-GP	IC 7805, REGULATOR, 5V, , ,	1	U3
IC-000378-GP	IC LM7915CT, REGULATOR, -15V, , ,	1	U6
IC-000379-GP	IC LM7815CT, REGULATOR, 15V, , ,	1	U5
IC-000380-GP	IC TL072, OPAMP, DUAL, SO-8,	4	U501, U504, U505, U508
IC-000381-GP	IC TL074CD-SO14, OPAMP, QUAD, SO-14,	2	U503, U507
LB-000530-GP	PC INLAY, WARNING LABEL, , , ,	1	
MS-000073-GP	FUSE, FAST, ACTING 5A, SMT, 1206,	2	F4, F5
MS-000293-GP	10A FUSE, QUICK-ACTING, , , ,	1	F1
NW-000002-GP	SPRING WASHER, 3M, , , , , , ,	4	
NW-000069-GP	SPRING WASHER, M4X1X7, BZ, , ,	2	
NW-000070-GP	M3, NUT, , , , , ,	7	
NW-000071-GP	M4, NUT, , BLACK, , , , ,	2	
NW-000072-GP	NUT, HEX, M4, , , , , ,	1	
NW-000073-GP	FLAT WASHER, M4X0.8X9.7, , , ,	4	
NW-040002-GP	SPRING WASHER M4 X 7	1	
NW-040003-GP	I/T WASHER M4X0.4X8, YZ	1	
PC-001515-00	PCB, INPUT, HPR, , SUBWOOFER	1	
PC-001534-00	PCB MAIN, HPR, , , , , ,	1	
PL-000066-GP	EVA GASKET, 5X500, , , , , ,	3	
PL-000152-GP	CABLE TIE, ISA	4	
PL-000327-GP	PAD, XFMR, EPDM 40A, 1/8" THK, BLACK,	2	
PL-000391-GP	KNOB, GAIN, HPR SERIES, , , , ,	1	
PL-000454-GP	INSULATION SHEET IC, , , SILPAD 800, , ,	5	
PL-000455-GP	LED HOLDER, LED3-11, , , , , ,	3	LD501-1, LD502-1, LD503-1
PL-000456-GP	SPRINGSEAT, TRANSISTOR, HPR, NYLON, , ,	15	
PL-000457-GP	SPACER, L=4.0, ELM 3, , , , , ,	1	U4
PL-000458-GP	SPONGE CUSHION, , , , , , ,	2	
PT-110002-GP	TRIM, 100, 20 PCNT, 0.15W, , ,	1	VR1
PT-250003-GP	VR 5K, XVB12111YNPVB25F, , , , ,	1	VR501
QD-000201-GP	DIODE LL4148 SM	19	D10, D11, D12, D20, D24, D25, D27, D30, D38, D501, D502, D503, D504, D505, D506, D507, D508, D509, D8
QD-000204-GP	XISTOR NPN 60V 200MA 3904 SOT-23	11	Q11, Q16, Q2, Q3, Q37, Q38, Q503, Q504, Q505, Q507, Q6
QD-000205-GP	XISTOR PNP 40V 0.2A TR3906 SOT-23	10	Q1, Q10, Q17, Q19, Q36, Q39, Q501, Q502, Q506, Q7
QD-000206-GP	DIOD RECT FAST, IN4934 AT	4	D1, D2, D4, D5
QD-000208-GP	XISTOR PNP 230V 15A 2SA1943	4	Q12, Q14, Q34, Q51
QD-000209-GP	XISTOR NPN 230V 15A 2SC5200	4	Q13, Q15, Q35, Q52
QD-000227-GP	BRIDGE RECT 400V 25A	2	BR1, BR2

Part Number	Description	Qty	Ref Des
QD-000260-GP	MOSFET, N-CH, 60V, 52A, 52N06V	2	Q21, Q22
QD-000300-GP	LED SC, 2.9 X 5.4 XL 0.5 BL, , , , ,	1	LD502
QD-000301-GP	LED, 3MM, GREEN SP, , , ,	1	LD503
QD-000302-GP	LED SP, 2.9 X 5.4 XL 0.5 RED, , , , ,	1	LD501
QD-000303-GP	DIODE, BAV21WS 250V, , , , ,	3	D3, D6, D9
QD-000304-GP	DIODE, MUR810 RL 8A, , , , ,	2	D13, D15
QD-000305-GP	DZ 1/2W, 6.2VB RLZ6.2B, , , , SMT,	2	D14, D7
QD-000306-GP	DZ 1/2W, 7.5VB RLZ7.5B LL, , , , SMT,	1	D26
QD-000307-GP	SMD DIODE, ISR154-400, , , , ,	6	D16, D17, D18, D19, D36, D37
QD-000308-GP	TR MMBTA42 NPN SMD, , , , , SOT-23,	2	Q20, Q5
QD-000309-GP	TR 2SA1837, 100-320 RL, , , , ,	1	Q4
QD-000310-GP	TR 2SC4793, 100-320-RL, , , , ,	1	Q9
QD-000311-GP	TR MMBTA92 SOT 23 KEC, , , , ,	2	Q18, Q8
RE-01002-GP	0.1R, 5 PCNT, 2W, RMF, ATS METAL,	12	R111, R114, R25, R26, R27, R28, R29, R30, R41, R42, R70, R73
RE-82001-GP	8.2 OHM, 1W, 5 PCNT, AT, RMF,	1	R6
RE-000003-GP	RMG 1/10W 0 OHM 5% 0805	4	R530, R545, R550, R551
RE-001009-GP	10 1% 1/8W THK FLM 1206	2	R584, R585
RE-001012-GP	100HM, 1/4W, 1%, AT, RMF,	2	R126, R127
RE-001013-GP	10, 1 PCNT, 1/10W, THICK FILM, 0805,	1	R128
RE-004753-GP	RMG 1/10W 47.5 OHM 1% 0805	4	R21, R22, R23, R24
RE-010011-GP	100 1% 1/10W THK FLM 0805 100V	13	R14, R15, R19, R20, R502, R503, R504, R505, R537, R538, R558, R559, R576
RE-015008-GP	150, 1 PCNT, 1/10W, THICK FILM, 0805,	1	R587
RE-033001-GP	330 OHM, 1 PCNT, 1/10W, RMG, 0805,	2	R531, R532
RE-034801-GP	348R, 1 PCNT, 1/10W, RMG, 0805,	1	R8
RE-047012-GP	470, 1 PCNT, 1/10W, THICK FILM, 0805,	1	R77
RE-063405-GP	634 OHMS 1% 1/10W 0805	1	R567
RE-091002-GP	910R, 1 PCNT, 1/10W, RMG, 0805,	6	R11, R12, R123, R17, R18, R9
RE-110702-GP	1.07K, 1 PCNT, 1/10W, RMG, 0805,	2	R575, R578
RE-112001-GP	RMG 1/10W 1.2K 1% 0805	3	R510, R516, R517
RE-115008-GP	1.5K, 1 PCNT, 1/10W, THK FLM, 0805, 100V	1	R543
RE-120004-GP	RMG 1/10W 2K 1% 0805	1	R566
RE-122010-GP	2.2K 1% 1/10W THK FM 0805 100V	1	R16
RE-124001-GP	2.4K, 1 PCNT, 1/10W, RMG, 0805,	2	R2, R35
RE-130103-GP	RMG 1/10W 3.01K 1% 0805	1	R33
RE-139006-GP	3.9K, 1 PCNT, 1/10W, THICK FILM, 0805,	6	R535, R540, R541, R552, R560, R579
RE-143202-GP	4.32K, 1 PCNT, 1/10W, RMG, 0805,	1	R557
RE-147002-GP	4.7K 1% 1/10W THK FLM 0805	5	R39, R56, R66, R79, R97
RE-151006-GP	5.1K, 1 PCNT, 1/10W, THICK FILM, 0805,	5	R522, R523, R528, R529, R589
RE-152302-GP	5.23K, 1 PCNT, 1/10W, THICK FILM, 0805,	1	R573
RE-159003-GP	5.9K 1% 1/10W THK FLM 0805	2	R96, R98
RE-164901-GP	6.49K, 1 PCNT, 1/10W, RMG, 0805,	1	R48
RE-169802-GP	6.98K, 1 PCNT, 1/10W, THK FLM, 0805, 100V	1	R546
RE-182007-GP	8.2K, 1 PCNT, 1/10W, THICK FILM, 0805,	2	R533, R577
RE-191001-GP	9.1K, 1 PCNT, 1/10W, RMG, 0805,	2	R525, R562
RE-210007-GP	10K 1% 1/10W THK FLM 0805	10	R1, R122, R3, R520, R521, R526, R527, R565, R572, R582
RE-211305-GP	11.3K .1% 1/10W RMG 0805	8	R506, R507, R508, R509, R512, R513, R514, R515
RE-212003-GP	12K 1% 1/10W THK FLM 0805 100V	1	R7
RE-212004-GP	12K, 1 PCNT, 1/8W, THICK FILM, 1206,	1	R586
RE-212703-GP	12.7K, 1 PCNT, 1/10W, THICK FILM, 0805,	2	R501, R511
RE-213005-GP	13K, 1 PCNT, 1/10W, RMG, 0805,	3	R36, R89, R90
RE-215003-GP	15K, 1 PCNT, 1/10W, RMG, 0805,	1	R518
RE-218006-GP	18K, 1 PCNT, 1/10W, THICK FILM, 0805,	2	R564, R580
RE-218701-GP	OBS-18.7K, 1 PCNT, 1/10W, RMG, 0805,	2	R547, R548
RE-220005-GP	RMG 1/10W 20K 1% 0805	2	R539, R556
RE-220006-GP	20K, 1 PCNT, 1/10W, THICK FILM, 1206,	1	R38
RE-222001-GP	22K 1% 1/10W 0805	4	R32, R34, R37, R568
RE-226101-GP	26.1K, 1 PCNT, 1/10W, RMG, 0805,	1	R4
RE-227001-GP	27K 1% 1/10W 0805	1	R571
RE-230006-GP	30K, 1 PCNT, 1/10W, THICK FILM, 0805,	1	R519
RE-230104-GP	30.1K 1% 1/8W RMG 1206	2	R40, R5
RE-230105-GP	30.1K, 1 PCNT, 1/10W, THICK FILM, 0805,	1	R53
RE-236001-GP	36K, 1 PCNT, 1/10W, RMG, 0805,	1	R544
RE-239204-GP	39.2K, 1 PCNT, 1/10W, THICK FILM, 0805,	3	R555, R570, R581
RE-243001-GP	43K, 1 PCNT, 1/10W, RMG, 0805,	1	R524
RE-247006-GP	47K 1% 1/10W THK FLM 0805 100V	2	R69, R76
RE-251001-GP	51K, 1 PCNT, 1/10W, RMG, 0805,	1	R563
RE-291001-GP	91K, 1 PCNT, 1/10W, RMG, 0805,	1	R583
RE-310007-GP	100K 1% 1/10W THK FLM 0805	2	R569, R574
RE-310008-GP	100K 1% 1/8W THK FLM 1206	4	R10, R31, R83, R92
RE-315006-GP	150K, 1 PCNT, 1/10W, THICK FILM, 0805,	3	R536, R553, R554
RE-349901-GP	499K 1% 1/8W THICK FILM 1206	1	R82
RE-410003-GP	1M 1% 1/10W RMG 0805	4	R13, R55, R84, R99
SC-000079-GP	SCREW, MACH, M4X19, , , BLACK, ZN	2	
SC-000081-GP	T3X8MM, SELF TAPPING, , , ,	6	
SC-000082-GP	SCREW, BIND, HEAD, M3.2 X 8, , , B-TITE,	6	
SC-000083-GP	SCREW, BIND, HEAD, M3.5 X 16, , , B-TITE,	10	
SC-000084-GP	SCREW, BIND, SERRATED HEAD, M4X25, B-TITE,	4	
SC-000085-GP	SELF SCREW, 3X8, WITH, SERRATED HEAD, , ,	6	
SC-000086-GP	SCREW, M8X101.5, BZ, , , ,	1	
SC-030002-GP	M3 B-TITE FLAT-CS	2	
SC-030004-GP	M3 X 8 BLK MACHINE	5	

Part Number	Description	Qty	Ref Des
SC-030008-GP	SCREW M3X6 BLK TAP	4	
SW-000088-GP	ROCKER POWER SWITCH	1	
SW-000093-GP	CIRCUIT BREAKER, 5 AMP, ,	1	
SW-000122-GP	SWITCH, 1P2T, ,	1	SW502
SW-000123-GP	SWITCH, 2P2T, ,	1	SW501
WC-000188-GP	SLEEVE, PVC, 5MM ID, BLK	1	
WC-000339-GP	JUMPER, BARE, 18GA, SOLID, HPR, ,	8	W1, W2, W3, W4, W5, W6, W7, W8
WC-000410-GP	UL1672, AWG#18, BROWN, , , , ,	1	
WC-000411-GP	UL1672, AWG#18, BLUE, , , , ,	1	
WC-000412-GP	GRND WIRE, UL1015 #14, , , , ,	1	
WC-000413-GP	WIRE-FLAT, 10P P1.5 #26, , , , ,	3	J507, J508B, J510
WC-000423-GP	SHRINKAGE TUBE, ID=6MM, UL, , , , ,	7	
XF-000293-GP	POWER TRANSFORMER, 120V, , , , HPR SERIES, ,	1	

Part Number	Description	Qty	Ref Des
CA-015005-GP	15PF, 5 PCNT, 50V, CERAMIC, 0805,	5	C48, C544, C545, C546, C547
CA-033003-GP	33PF, 5%, 50V, CC, 0805, 1.2X	2	C11, C12
CA-110005-GP	CC 50V 100PF 5% 0805 1.2	1	C548
CA-110007-GP	100P, 5%, 100V, CTC, 0805, 0/30	1	C49
CA-122005-GP	CC 50V 220PF 5% 0805	3	C45, C522, C6
CA-147006-GP	470PF 5% 50V CER NPO	4	C501, C502, C503, C504
CA-233009-GP	3300P, 5%, 100V, CTC, 1206, 0/30	1	C4
CA-347007-GP	.047UF, 5 PCNT, 63V, CM, RBT,	1	C538
CA-368006-GP	.068UF, 5 PCNT, 50V, FILM, ,	1	C533
CA-382001-GP	0.082U, 5%, 63V, CM, , RBT, 7.5	3	C517, C518, C519
CA-410014-GP	0.1UF 10% 50V CER X7R 0805	15	C17, C22, C27, C34, C50, C523, C526, C528, C531, C532, C534, C535, C539, C540, C7
CA-410018-GP	CM 250V .1UF 5% RL	2	C8, C9
CA-415004-GP	0.15U, 5%, 63V, CM, , RBT, 7.5X	3	C521, C524, C525
CA-415006-GP	.15UF, 5 PCNT, 200V, CC, 1210,	1	C2
CA-422010-GP	0.22U, 10%, 50V, CC, 0805,	2	C10, C30
CA-422011-GP	0.22U, 5%, 63V, CM, , RBT, 7.5X	14	C505, C506, C507, C508, C509, C510, C511, C512, C513, C514, C515, C516, C529, C536
CA-510017-GP	1UF, 20 PCNT, 50V, CC, SMT, 1210	2	C24, C25
CA-610009-GP	CE 35V 10UF 20% RL 5 X 11	1	C35
CA-622010-GP	22UF, 20%, 35V, CE, , RL, 5x11	1	C36
CA-647006-GP	CE 16NP 47UF 20% RL	4	C1, C520, C527, C537
CA-710013-GP	100U, 20%, 25V, CE, , 5X11, RL	1	C530
CA-747009-GP	470UF, 20%, 16V, CE, , RL	2	C542, C543
CA-810007-GP	1000UF, 20%, 25V, CE, , RL	2	C18, C19
CA-912001-GP	12000UF, 20 PCNT, 63V, CE, RL, ,	4	C13, C14, C15, C16
CH-000173-GP	COVER, XFMR, STEEL, LARGE	1	
CH-000425-GP	PANEL-LEFT (AC), BLACK, , HPR,	1	
CH-000485-GP	PANEL-INPUT, BLACK 181, , HPR,	1	
CH-000489-GP	PLATE-SPRING STEEL, , , ,	5	
CH-000490-GP	HEATSINK, 381X189.2X38.1, , HPR,	1	
CO-000058-GP	XLR, CONNECTOR, 3PM, , ,	4	J501, J502, J505, J506
CO-000204-GP	CONN XLR F VERT PLASTIC	2	J503, J504
CO-000211-GP	AC INLET 250V 15A	1	
CO-000213-GP	CONN 2 PIN STRAIGHT WAFER	1	J509A
CO-000214-GP	CONN 3 PIN STRAIGHT WAFER	1	J3
CO-000281-GP	HDR 6.3MM CNTR 6P(2X3)MALE	2	J2, J4
CO-000349-GP	WIRE HOLDER, RIBBON CABLE, 10 POS, FEMALE,	3	J507, J508B, J510
CO-000350-GP	WIRE TRAP, RIBBON CABLE, 10 POS, FEMALE, RELEASEABLE	3	J5, J508A, J6
HW-000075-GP	FUSE HOLDER, , , , ,	2	F1
HW-000102-GP	BRASS POST, D6X10, , , ,	3	
HW-000103-GP	BRASS POST, D6X8, , , , ,	4	
IC-000075-GP	IC VOLTAGE REG, +5, LM78L05, SMT,	1	U509
IC-000076-GP	IC LM339, SMD COMPARATORS, , ,	1	U2
IC-000077-GP	IC LM13700M, , , SMT,	1	U506
IC-000078-GP	IC LM19, THERMAL SENSOR, , TO-92,	1	U4
IC-000079-GP	IC MC33078, OP-AMP, , SMT,	2	U1, U502
IC-000377-GP	IC 7805, REGULATOR, 5V, , ,	1	U3
IC-000378-GP	IC LM7915CT, REGULATOR, -15V, , ,	1	U6
IC-000379-GP	IC LM7815CT, REGULATOR, 15V, , ,	1	U5
IC-000380-GP	IC TL072, OPAMP, DUAL, SO-8,	4	U501, U504, U505, U508
IC-000381-GP	IC TL074CD-SO14, OPAMP, QUAD, SO-14,	2	U503, U507
LB-000530-GP	PC INLAY, WARNING LABEL, , , ,	1	
MS-000073-GP	FUSE, FAST, ACTING 5A, SMT, 1206,	2	F4, F5
MS-000293-GP	10A FUSE, QUICK-ACTING, , , ,	1	F1
NW-000002-GP	SPRING WASHER, 3M, , , , , , ,	4	
NW-000069-GP	SPRING WASHER, M4X1X7, BZ, , ,	2	
NW-000070-GP	M3, NUT, , , , ,	7	
NW-000071-GP	M4, NUT, , BLACK, , , ,	2	
NW-000072-GP	NUT, HEX, M4, , , , ,	1	
NW-000073-GP	FLAT WASHER, M4X0.8X9.7, , , ,	4	
NW-040002-GP	SPRING WASHER M4 X 7	1	
NW-040003-GP	I/T WASHER M4X0.4X8, YZ	1	
PC-001515-00	PCB, INPUT, HPR, , SUBWOOFER	1	
PC-001534-00	PCB MAIN, HPR, , , , ,	1	
PL-000066-GP	EVA GASKET, 5X500, , , , ,	3	
PL-000152-GP	CABLE TIE, ISA	4	
PL-000327-GP	PAD, XFMR, EPDM 40A, 1/8" THK, BLACK,	2	
PL-000391-GP	KNOB, GAIN, HPR SERIES, , , ,	1	
PL-000454-GP	INSULATION SHEET IC, , , SILPAD 800, ,	5	
PL-000455-GP	LED HOLDER, LED3-11, , , , ,	3	LD501-1, LD502-1, LD503-1
PL-000456-GP	SPRINGSEAT, TRANSISTOR, HPR, NYLON, ,	15	
PL-000457-GP	SPACER, L=4.0, ELM 3, , , , ,	1	U4
PL-000458-GP	SPONGE CUSHION, , , , , ,	2	
PT-110002-GP	TRIM, 100, 20 PCNT, 0.15W, , ,	1	VR1
PT-250003-GP	VR 5K, XVB12111YNPVB25F, , , , ,	1	VR501
QD-000201-GP	DIODE LL4148 SM	19	D10, D11, D12, D20, D24, D25, D27, D30, D38, D501, D502, D503, D504, D505, D506, D507, D508, D509, D8
QD-000204-GP	XISTOR NPN 60V 200MA 3904 SOT-23	11	Q11, Q16, Q2, Q3, Q37, Q38, Q503, Q504, Q505, Q507, Q6
QD-000205-GP	XISTOR PNP 40V 0.2A TR3906 SOT-23	10	Q1, Q10, Q17, Q19, Q36, Q39, Q501, Q502, Q506, Q7
QD-000206-GP	DIOD RECT FAST, IN4934 AT	4	D1, D2, D4, D5
QD-000208-GP	XISTOR PNP 230V 15A 2SA1943	4	Q12, Q14, Q34, Q51
QD-000209-GP	XISTOR NPN 230V 15A 2SC5200	4	Q13, Q15, Q35, Q52
QD-000227-GP	BRIDGE RECT 400V 25A	2	BR1, BR2

Part Number	Description	Qty	Ref Des
QD-000260-GP	MOSFET, N-CH, 60V, 52A, 52N06V	2	Q21, Q22
QD-000300-GP	LED SC, 2.9 X 5.4 XL 0.5 BL, , , , ,	1	LD502
QD-000301-GP	LED, 3MM, GREEN SP, , , ,	1	LD503
QD-000302-GP	LED SP, 2.9 X 5.4 XL 0.5 RED, , , , ,	1	LD501
QD-000303-GP	DIODE, BAV21WS 250V, , , , ,	3	D3, D6, D9
QD-000304-GP	DIODE, MUR810 RL 8A, , , , ,	2	D13, D15
QD-000305-GP	DZ 1/2W, 6.2VB RLZ6.2B, , , , SMT,	2	D14, D7
QD-000306-GP	DZ 1/2W, 7.5VB RLZ7.5B LL, , , , SMT,	1	D26
QD-000307-GP	SMD DIODE, ISR154-400, , , , ,	6	D16, D17, D18, D19, D36, D37
QD-000308-GP	TR MMBTA42 NPN SMD, , , , , SOT-23,	2	Q20, Q5
QD-000309-GP	TR 2SA1837, 100-320 RL, , , , ,	1	Q4
QD-000310-GP	TR 2SC4793, 100-320-RL, , , , ,	1	Q9
QD-000311-GP	TR MMBTA92 SOT 23 KEC, , , , ,	2	Q18, Q8
RE-01002-GP	0.1R, 5 PCNT, 2W, RMF, ATS METAL,	12	R111, R114, R25, R26, R27, R28, R29, R30, R41, R42, R70, R73
RE-82001-GP	8.2 OHM, 1W, 5 PCNT, AT, RMF,	1	R6
RE-000003-GP	RMG 1/10W 0 OHM 5% 0805	4	R530, R545, R550, R551
RE-001009-GP	10 1% 1/8W THK FLM 1206	2	R584, R585
RE-001012-GP	100HM, 1/4W, 1%, AT, RMF,	2	R126, R127
RE-001013-GP	10, 1 PCNT, 1/10W, THICK FILM, 0805,	1	R128
RE-004753-GP	RMG 1/10W 47.5 OHM 1% 0805	4	R21, R22, R23, R24
RE-010011-GP	100 1% 1/10W THK FLM 0805 100V	13	R14, R15, R19, R20, R502, R503, R504, R505, R537, R538, R558, R559, R576
RE-015008-GP	150, 1 PCNT, 1/10W, THICK FILM, 0805,	1	R587
RE-033001-GP	330 OHM, 1 PCNT, 1/10W, RMG, 0805,	2	R531, R532
RE-034801-GP	348R, 1 PCNT, 1/10W, RMG, 0805,	1	R8
RE-047012-GP	470, 1 PCNT, 1/10W, THICK FILM, 0805,	1	R77
RE-063405-GP	634 OHMS 1% 1/10W 0805	1	R567
RE-091002-GP	910R, 1 PCNT, 1/10W, RMG, 0805,	6	R11, R12, R123, R17, R18, R9
RE-110702-GP	1.07K, 1 PCNT, 1/10W, RMG, 0805,	2	R575, R578
RE-112001-GP	RMG 1/10W 1.2K 1% 0805	3	R510, R516, R517
RE-115008-GP	1.5K, 1 PCNT, 1/10W, THK FLM, 0805, 100V	1	R543
RE-120004-GP	RMG 1/10W 2K 1% 0805	1	R566
RE-122010-GP	2.2K 1% 1/10W THK FM 0805 100V	1	R16
RE-124001-GP	2.4K, 1 PCNT, 1/10W, RMG, 0805,	2	R2, R35
RE-130103-GP	RMG 1/10W 3.01K 1% 0805	1	R33
RE-139006-GP	3.9K, 1 PCNT, 1/10W, THICK FILM, 0805,	6	R535, R540, R541, R552, R560, R579
RE-143202-GP	4.32K, 1 PCNT, 1/10W, RMG, 0805,	1	R557
RE-147002-GP	4.7K 1% 1/10W THK FLM 0805	5	R39, R56, R66, R79, R97
RE-151006-GP	5.1K, 1 PCNT, 1/10W, THICK FILM, 0805,	5	R522, R523, R528, R529, R589
RE-152302-GP	5.23K, 1 PCNT, 1/10W, THICK FILM, 0805,	1	R573
RE-159003-GP	5.9K 1% 1/10W THK FLM 0805	2	R96, R98
RE-164901-GP	6.49K, 1 PCNT, 1/10W, RMG, 0805,	1	R48
RE-169802-GP	6.98K, 1 PCNT, 1/10W, THK FLM, 0805, 100V	1	R546
RE-182007-GP	8.2K, 1 PCNT, 1/10W, THICK FILM, 0805,	2	R533, R577
RE-191001-GP	9.1K, 1 PCNT, 1/10W, RMG, 0805,	2	R525, R562
RE-210007-GP	10K 1% 1/10W THK FLM 0805	10	R1, R122, R3, R520, R521, R526, R527, R565, R572, R582
RE-211305-GP	11.3K 1% 1/10W RMG 0805	8	R506, R507, R508, R509, R512, R513, R514, R515
RE-212003-GP	12K 1% 1/10W THK FLM 0805 100V	1	R7
RE-212004-GP	12K, 1 PCNT, 1/8W, THICK FILM, 1206,	1	R586
RE-212703-GP	12.7K, 1 PCNT, 1/10W, THICK FILM, 0805,	2	R501, R511
RE-213005-GP	13K, 1 PCNT, 1/10W, RMG, 0805,	3	R36, R89, R90
RE-215003-GP	15K, 1 PCNT, 1/10W, RMG, 0805,	1	R518
RE-218006-GP	18K, 1 PCNT, 1/10W, THICK FILM, 0805,	2	R564, R580
RE-218701-GP	OBS-18.7K, 1 PCNT, 1/10W, RMG, 0805,	2	R547, R548
RE-220005-GP	RMG 1/10W 20K 1% 0805	2	R539, R556
RE-220006-GP	20K, 1 PCNT, 1/10W, THICK FILM, 1206,	1	R38
RE-222001-GP	22K 1% 1/10W 0805	4	R32, R34, R37, R568
RE-226101-GP	26.1K, 1 PCNT, 1/10W, RMG, 0805,	1	R4
RE-227001-GP	27K 1% 1/10W 0805	1	R571
RE-230006-GP	30K, 1 PCNT, 1/10W, THICK FILM, 0805,	1	R519
RE-230104-GP	30.1K 1% 1/8W RMG 1206	2	R40, R5
RE-230105-GP	30.1K, 1 PCNT, 1/10W, THICK FILM, 0805,	1	R53
RE-236001-GP	36K, 1 PCNT, 1/10W, RMG, 0805,	1	R544
RE-239204-GP	39.2K, 1 PCNT, 1/10W, THICK FILM, 0805,	3	R555, R570, R581
RE-243001-GP	43K, 1 PCNT, 1/10W, RMG, 0805,	1	R524
RE-247006-GP	47K 1% 1/10W THK FLM 0805 100V	2	R69, R76
RE-251001-GP	51K, 1 PCNT, 1/10W, RMG, 0805,	1	R563
RE-291001-GP	91K, 1 PCNT, 1/10W, RMG, 0805,	1	R583
RE-310007-GP	100K 1% 1/10W THK FLM 0805	2	R569, R574
RE-310008-GP	100K 1% 1/8W THK FLM 1206	4	R10, R31, R83, R92
RE-315006-GP	150K, 1 PCNT, 1/10W, THICK FILM, 0805,	3	R536, R553, R554
RE-349901-GP	499K 1% 1/8W THICK FILM 1206	1	R82
RE-410003-GP	1M 1% 1/10W RMG 0805	4	R13, R55, R84, R99
SC-000079-GP	SCREW, MACH, M4X19, , , BLACK, ZN	2	
SC-000081-GP	T3X8MM, SELF TAPPING, , , ,	6	
SC-000082-GP	SCREW, BIND, HEAD, M3.2 X 8, , B-TITE,	6	
SC-000083-GP	SCREW, BIND, HEAD, M3.5 X 16, , B-TITE,	10	
SC-000084-GP	SCREW, BIND, SERRATED HEAD, M4X25, B-TITE,	4	
SC-000085-GP	SELF SCREW, 3X8, WITH, SERRATED HEAD, , ,	6	
SC-000086-GP	SCREW, M8X101.5, BZ, , , ,	1	
SC-030002-GP	M3 B-TITE FLAT-CS	2	
SC-030004-GP	M3 X 8 BLK MACHINE	5	

Part Number	Description	Qty	Ref Des
SC-030008-GP	SCREW M3X6 BLK TAP	4	
SW-000088-GP	ROCKER POWER SWITCH	1	
SW-000119-GP	CIRCUIT BREAKER, 3A, 230V, HPR,	1	
SW-000122-GP	SWITCH, 1P2T, ,	1	SW502
SW-000123-GP	SWITCH, 2P2T, ,	1	SW501
WC-000188-GP	SLEEVE, PVC, 5MM ID, BLK	1	
WC-000339-GP	JUMPER, BARE, 18GA, SOLID, HPR, ,	8	W1, W2, W3, W4, W5, W6, W7, W8
WC-000410-GP	UL1672, AWG#18, BROWN, , , , ,	1	
WC-000411-GP	UL1672, AWG#18, BLUE, , , , ,	1	
WC-000412-GP	GRND WIRE, UL1015 #14, , , , ,	1	
WC-000413-GP	WIRE-FLAT, 10P P1.5 #26, , , , ,	3	J507, J508B, J510
WC-000423-GP	SHRINKAGE TUBE, ID=6MM, UL, , , , ,	7	
XF-000294-GP	POWER TRANSFORMER, 230V, , , , HPR SERIES, ,	1	