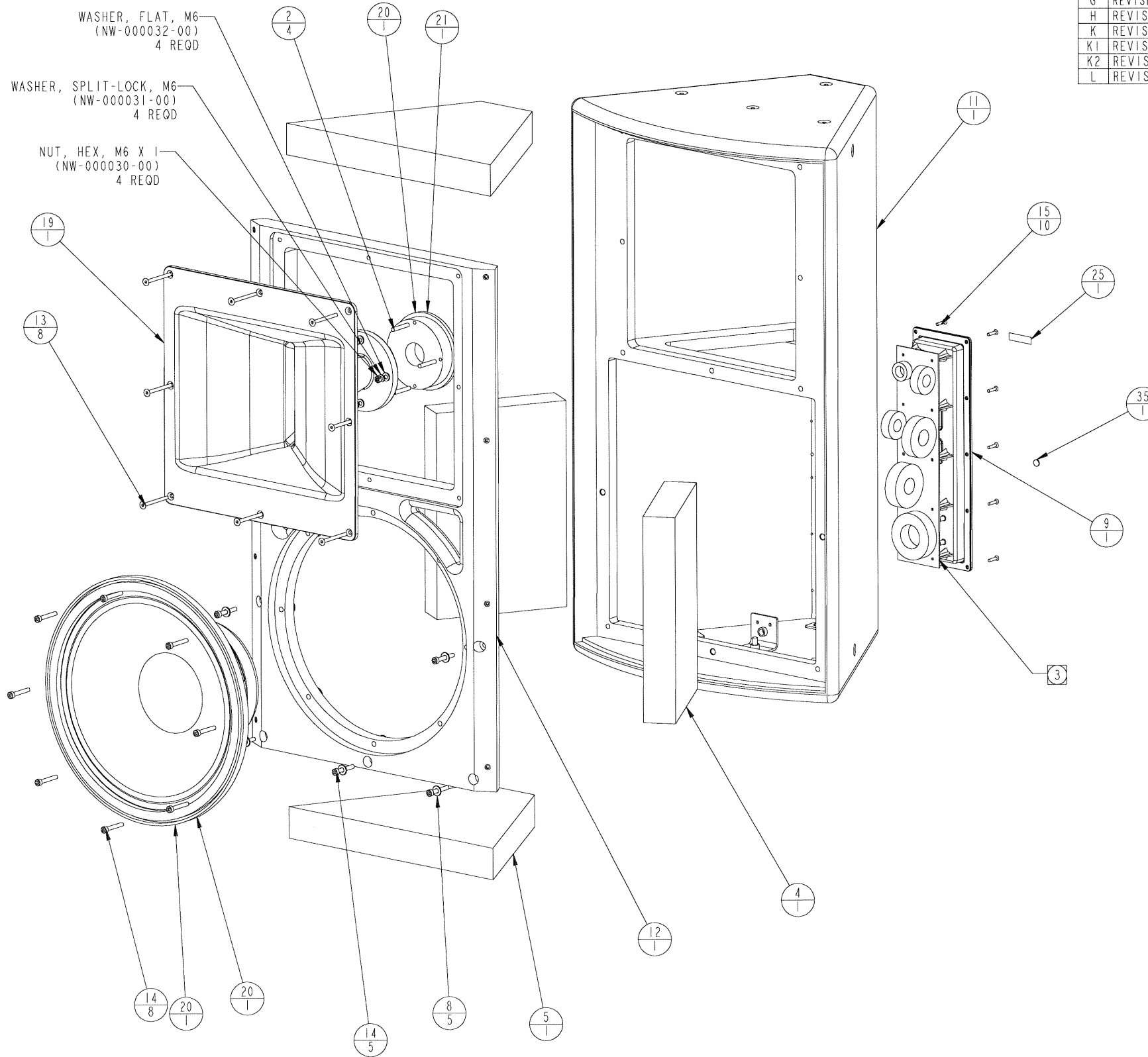


THIS DOCUMENT CONTAINS PROPRIETARY INFORMATION WHICH IS THE PROPERTY OF QSC AUDIO PRODUCTS, THAT MAY NOT BE DISCLOSED, REPRODUCED OR USED WITHOUT EXPRESS WRITTEN CONSENT FROM QSC AUDIO PRODUCTS.

REVISIONS				
REV	DESCRIPTION	EFF DATE	CHK	APPROVED DATE
G	REVISED PER ECO 6480 JEE	2-18-05		DD
H	REVISED PER ECO 6593 MP	5-27-05		DD
K	REVISED PER ECO 6742 MP	8-19-05		DD
K1	REVISED PER ECO 6781 MP	9-16-05		DD
K2	REVISED PER ECO 7394 MP	8-25-06		DD
L	REVISED PER ECO 8087 MP	6-22-07		DD



3 REFER TO APPROPRIATE ASSEMBLY AID FOR THE PROPER PLACEMENT OF ATTACHED HEAT SINK/RESISTOR ASSEMBLY.

- 2. SPRAY ADHESIVE GLUE UNDER DAMPENING MATERIAL AND FOAM.
- 1. ASSEMBLE ADHESIVE GASKET UNDER WOOFER AND BAFFLE.

NOTE: UNLESS OTHERWISE SPECIFIED

MODEL #	COLOR
WP-152124-01	BLACK
WP-152124-02	WHITE

UNLESS OTHERWISE SPECIFIED DIMENSIONS ARE IN INCHES.		CONTRACT NO.		QSC QSC AUDIO PRODUCTS, INC. 1675 MACARTHUR BOULEVARD COSTA MESA, CA 92626	
TOLERANCES ARE: DECIMALS DECIMALS ANGLES .XX ± .02 .XXX ± .010 ± 1/2 DEBURR EDGES .010 R MAX		APPROVALS	DATE	SPEAKER, 2-WAY, 15", 120 X 40, MD	
MATERIAL NONE		DRAWN B. HAWKINS	12-10-03	SIZE D	CAGE CODE 00PW4
FINISH NONE		CHECKED P. WRIGHT	12-18-03	DWG NO. WP-152124-XX	REV L
DO NOT SCALE DRAWING		ISSUED D. DELARM		SCALE 0.167	SHEET 1 of 1
MODEL INFO WP-152124-XX.main.L.0		DRAWING INFO			

ROBERT_BECKER.BOM Wrapped Ref Des (Current Date,
Sort by Item Seq)

Current BOM
as of 27-JUN-07 11.39.04 AM

Assembly Item Number: WP-152124-01	Assembly Description: SPEAKER ASSEMBLY, 15" 2-WAY, MD-F152/124R, BLACK,, 120X40	Assembly Revision: L	Assy Rev Date: 22-JUN-07
------------------------------------	---	----------------------	--------------------------

	Part Number	Rev	Description	Item No.	Eff Date	Qty	Op Sequence	Comments	Ref Des
1	CH-000396-01	B	GRILLE, TWO-PIECE, EMBOSSSED, MD SERIES, BLACK	1	03-DEC-2003	1.00	200		
2	HW-000067-00	B1	STUD, THREADED, M6, 37.5MM L, STEEL, BLK, PHS, 6219 LUBE,	2	21-NOV-2003	4.00	200		
3	SC-000013-00	B	PHILLIPS, PANHEAD SEMS, #8-32, 0.75" L, BLACK ZINC, STAINLESS STEEL, CR111	3	15-AUG-2005	8.00	200		
4	MS-000239-00	A1	INSULATION, FIBERGLASS, DAMPENING WOOD CABINET SPKR, 26" X 8.5" X 2",	4	19-AUG-2005	1.00	200		
5	MS-000240-00	A1	INSULATION, FIBERGLASS, DAMPENING WOOD CABINET SPKR, 26" X 11.5" X 2",	5	19-AUG-2005	1.00	200		
6	NW-000046-00	B1	WASHER, .625 OD .281 ID, .062 THK, TOL. +/- .010, STEEL BLACK ZINC W/6107 LUBE, CR111	8	16-JAN-2004	5.00	200		
7	PA-000092-00	E	TERMINAL CUP/XOVER ASSY, 15", 120 X 40, ,	9	21-NOV-2003	1.00	200		
8	PL-000359-01	B3	FOAM, GRILL, MD SERIES, , BLACK,	10	21-NOV-2003	1.00	200		
9	SB-000016-01	D	ENCLOSURE, W/RIGGING HARDWARE, MD SERIES, , BLACK,	11	21-NOV-2003	1.00	200		
10	SB-000026-00	D2	BAFFLE, 15" 2-WAY, , , ,	12	21-NOV-2003	1.00	200		
11	SC-000034-00	B	SOCKET, FLAT HEAD, M6, 1.0 X 60 MM, BLACK ZINC W/6107 LUBE, CR111	13	21-NOV-2003	8.00	200		
12	SC-000036-00	B	SOCKET HEAD CAP, , M6, 1.0 X 40 MM, BLACK ZINC W/6107 LUBE, CR111	14	21-NOV-2003	13.00	200		
13	SC-000039-00	B	PHILLIPS, FLAT HEAD, #8-32, 3/4, BLACK ZINC W/6107 LUBE, 100 DEG., CR111	15	21-NOV-2003	10.00	200		
14	SP-000055-00	B2	HORN, 120 X 40, , , ,	19	21-NOV-2003	1.00	200		
15	SP-000043-00	B1	WOOFER, 15", PAPER, FERRITE, B&C, 15PS40-8	20	19-AUG-2005	1.00	200		
16	SP-000044-00	B1	COMPRESSION DRIVER, 1.4", TITANIUM, NEO, B&C, DE610ND-8	21	19-AUG-2005	1.00	200		
17	RD-000158-00	L	LABEL, SERIAL NUMBER, SPEAKER, 1.7" X .45" IN-HOUSE	25	01-SEP-2006	0.00	200		
18	TP-152124-01	1	LOUDSPEAKER SYSTEM, TEST SPECIFICATION, MD-F152/124R,	30	25-JUL-2005	0.00	200		
19	LB-000673-50	A	LABEL, CHINA ROHS, 50 YEARS, , SMALL	35	22-JUN-2007	1.00	200		

THIS DOCUMENT CONTAINS PROPRIETARY INFORMATION WHICH IS THE PROPERTY OF QSC AUDIO PRODUCTS, THAT MAY NOT BE DISCLOSED, REPRODUCED OR USED WITHOUT EXPRESS WRITTEN CONSENT FROM QSC AUDIO PRODUCTS.

WASHER, SPLIT-LOCK, M6
(NW-000031-00)
4 REQD

WASHER, FLAT, .467 OD .256 ID
(NW-000032-00)
4 REQD

NUT, HEX, M6 X 1
(NW-000030-00)
4 REQD

D

C

B

