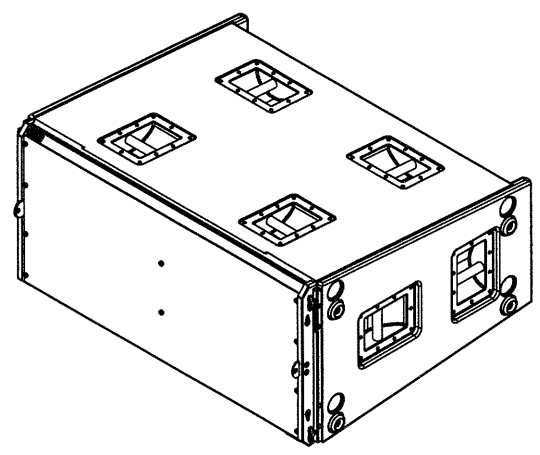
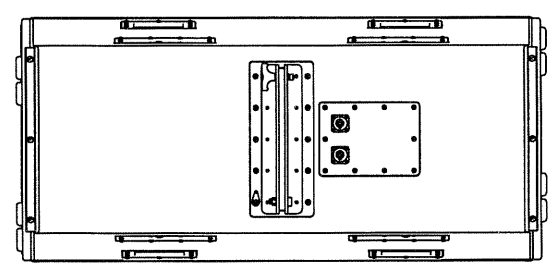
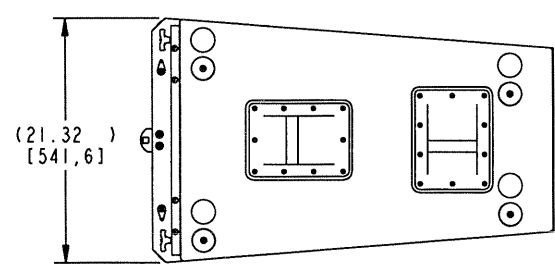
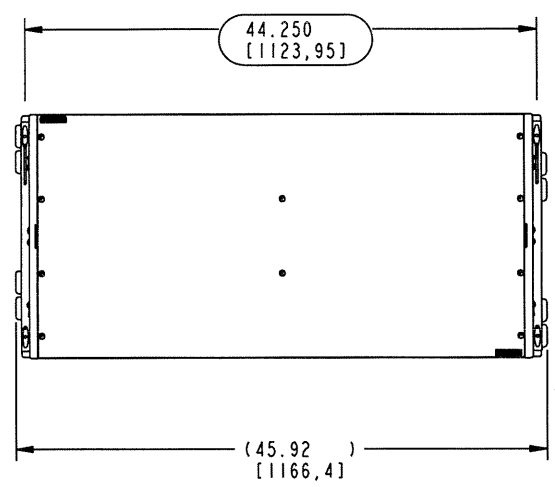
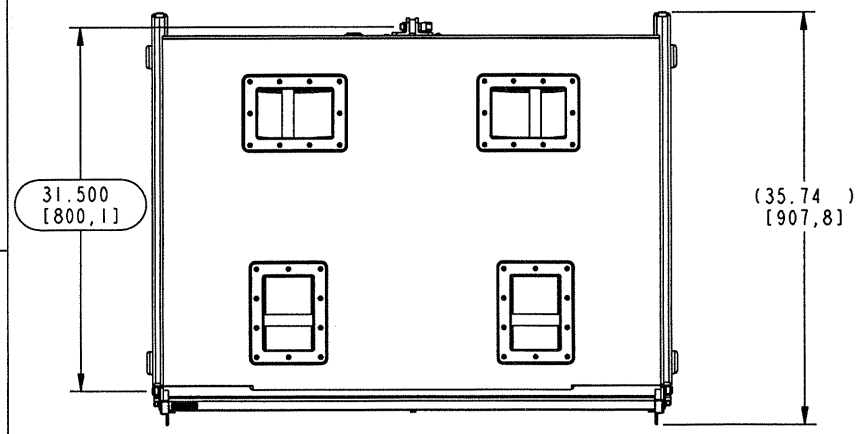


THIS DOCUMENT CONTAINS PROPRIETARY INFORMATION WHICH IS THE PROPERTY OF QSC AUDIO PRODUCTS. THAT MAY NOT BE DISCLOSED, REPRODUCED OR USED WITHOUT EXPRESS WRITTEN CONSENT FROM QSC AUDIO PRODUCTS.

REVISIONS				
REV	DESCRIPTION	EFF DATE	CHK	APPROVED DATE
A	PROD. RELEASE PER ECO 7373 MP	8-11-06	JB	DD
B	REVISED PER ECO 7510 MP	11-02-06		DD
C	REVISED PER ECO 7599 MP	12-01-06		DD
D	REVISED PER ECO 7602 MP	12-02-06		DD



SCALE 0.100



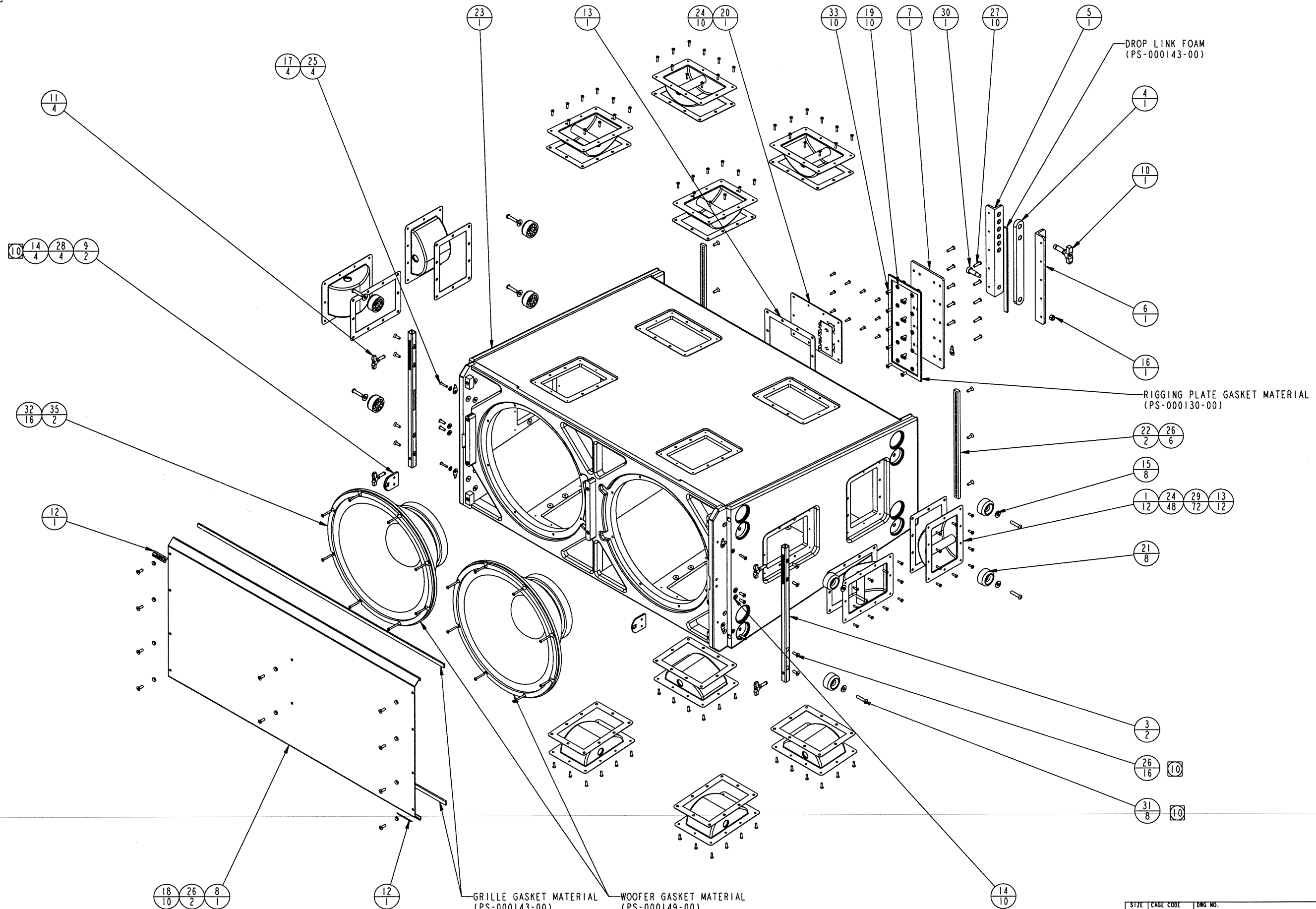
- 10. TORQUE HARDWARE TO 60 INCH-POUNDS
- 9. TORQUE HARDWARE TO 40 INCH-POUNDS.
- 8. REFER TO APPROPRIATE ASSEMBLY AID FOR THE PROPER PLACEMENT OF HW-000117-00
- 7. REFER TO APPROPRIATE ASSEMBLY AID FOR THE PROPER PLACEMENT OF HW-000126-00
- 6. REFER TO APPROPRIATE ASSEMBLY AID FOR THE PROPER PLACEMENT OF LB-000607-00
- 5. REFER TO APPROPRIATE ASSEMBLY AID FOR THE PROPER PLACEMENT OF LB-000406-00
- 4. REFER TO APPROPRIATE ASSEMBLY AID FOR THE PROPER PLACEMENT OF PS-000143-00
- 3. REFER TO APPROPRIATE ASSEMBLY AID FOR THE PROPER PLACEMENT OF PS-000149-00
- 2. REFER TO APPROPRIATE ASSEMBLY AID FOR THE PROPER PLACEMENT OF PS-000130-00
- 1. REFER TO APPROPRIATE ASSEMBLY AID FOR THE PROPER PLACEMENT OF PS-000167-00

NOTE: UNLESS OTHERWISE SPECIFIED

UNLESS OTHERWISE SPECIFIED DIMENSIONS ARE IN INCHES. TOLERANCES ARE: DECIMALS DECIMALS ANGLES .XX ± .02 .XXX ± .010 ± 1/2 DEBURR EDGES .010 R MAX	CONTRACT NO.		QSC AUDIO PRODUCTS, INC. 1675 MACARTHUR BOULEVARD COSTA MESA, CA 92626
	APPROVALS	DATE	
	DRAWN D. SIMPSON CHECKED J. BRODIE	25-Oct-06 8-08-06	
	MATERIAL NONE FINISH NONE	MFG ENG S. ELIZALDE ISSUED D. DELARM	
DO NOT SCALE DRAWING	WP-002180-01.main.D.0+ MODEL INFO	D OOPW4 SIZE CAGE CODE D OOPW4	WP-002180-01 DNG NO. WP-002180-01
	SCALE 0.125	WP-002180-01.D.0+	SHEET 1 of 2 DRAWING INFO

Dwg No. WP-002180-01
 SHEET 1 of 2

THIS DOCUMENT CONTAINS PROPRIETARY INFORMATION WHICH IS THE PROPERTY OF GSC AUDIO PRODUCTS, THAT MAY NOT BE DISCLOSED, REPRODUCED OR USED WITHOUT EXPRESS WRITTEN CONSENT FROM GSC AUDIO PRODUCTS.



DROP LINK FOAM
(PS-000143-00)

RIGGING PLATE GASKET MATERIAL
(PS-000130-00)

GRILLE GASKET MATERIAL
(PS-000143-00)

WOOFER GASKET MATERIAL
(PS-000149-00)

SIZE	CAGE CODE	DWG NO.	REV
D	00PW4	WP-002180-01	D
SCALE	DRAWING INFO		SHEET
0.125	WP-002180-01.D.D*		2 of 2

Dwg No. WP-002180-01
 Rev. D
 2 of 2

ROBERT_BECKER.BOM Wrapped Ref Des (Current Date,
Sort by Item Seq)

Current BOM
as of 04-DEC-06 10.25.52 AM

Assembly Item Number: WP-002180-01	Assembly Description: SPEAKER ASSY,ISIS WL218-sw,,,BLACK	Assembly Revision: D	Assy Rev Date: 02-DEC-06	Org: COSTA MESA
------------------------------------	--	----------------------	--------------------------	-----------------

	Part Number	Rev	Description	Item No.	Eff Date	Qty	Op Sequence	Comments	Ref Des
1	CH-000433-00	A	HANDLE, STEEL, , MD SERIES,	1	23-MAY-2006	12.00	200		
2	CH-000536-01	B	TUBE, RIGGING, BLACK, WL218-sw,	3	23-MAY-2006	2.00	200		
3	CH-000537-00	B	DROP LINK, RIGGING, , WL218-sw,	4	23-MAY-2006	1.00	200		
4	CH-000538-01	B	ANGLE, RIGGING, LEFT, WL218-sw,	5	23-MAY-2006	1.00	200		
5	CH-000538-02	B	ANGLE, RIGGING, RIGHT, WL218-sw,	6	23-MAY-2006	1.00	200		
6	CH-000540-00	A	PLATE, RIGGING, , WL218-sw,	7	23-MAY-2006	1.00	200		
7	CH-000541-01	A1	GRILLE, , , WL218-sw, BLACK, (ECO IN PROCESS)	8	23-MAY-2006	1.00	200		
8	CH-000577-00	A	PLATE, STRIKE, BLK ZINC CR111, WL218-sw,	9	23-MAY-2006	2.00	200		
9	HW-000117-00	B	PIN, RIGGING, 1/2"D X 1.125L", W/12.5" LAYNARD, T-HANDLE STEEL 4130, ZINC PLATING	10	23-MAY-2006	1.00	200		
10	HW-000126-00	B	PIN, RIGGING, SKY-PIN, 5.5", LANYARD, CUSTOM,	11	23-MAY-2006	4.00	200		
11	LB-000406-00	B1	PRODUCT, QSC BADGE, , WEDGE SPEAKER,	12	23-MAY-2006	2.00	200		
12	MS-000275-00	A1	GASKET, HANDLE MOUNTING, MD SERIES, GREY,	13	23-MAY-2006	13.00	200		
13	NW-000046-00	B1	WASHER, .625 OD .281 ID, .062 THK, TOL. +/- .010, STEEL BLACK ZINC W/6107 LUBE, CR111	14	19-JUN-2006	14.00	200		
14	NW-000045-00	B	FLATWASHER, 5/16 BOLT X 3/8" ID, 7/8" OD, .0775 THK, HIGH STRENGTH (GRADE 5 MIN.), BLACK, CR111	15	02-NOV-2006	8.00	200		
15	NW-000088-00	B	LOCKNUT, 3/8-16, W/NYLON INSERT, STL, BLK PHOSPHATE W/6219 LUBE,	16	23-MAY-2006	1.00	200		
16	NW-000089-00	B	FLAT WASHER, #10, .219" X .500" X .049, STL, BLK PHOSPHATE W/6219 LUBE,	17	23-MAY-2006	4.00	200		
17	NW-100222-08	B	COUNTERSUNK WASHER, #10, 0.575" OD; 0.152" THICK, NYLON, BLACK, CR111	18	26-MAY-2006	10.00	200		
18	NW-264815-09	C	LOCK WASHER, 0.26", SPLIT, STEEL, W/6219 LUBE	19	19-JUN-2006	10.00	200		
19	PA-000128-00	B	TERMINAL PLATE, WL218-sw, , ,	20	23-MAY-2006	1.00	200		
20	PL-000502-00	A1	FOOT, ROUND, , PLASTIC, BLACK, WL218-sw	21	23-MAY-2006	8.00	200		
21	PL-000503-00	B	SKID, , , PLASTIC, BLACK, WL218-sw	22	23-MAY-2006	2.00	200		
22	SB-000053-01	A	ENCLOSURE, W/12 HANDLES, WL218-sw, , ,	23	23-MAY-2006	1.00	200		
23	SC-000112-00	B	SCREW, BH, TORX, #10-32 X 0.63, , BLK PHOSPHATE W/6219 LUBE,	24	23-MAY-2006	58.00	200		
24	SC-000113-00	B	BUTTONHEAD, TORX, #10-32 X 1", , STEEL, BLK PHOSPHATE, W/6219 LUBE	25	23-MAY-2006	4.00	200		
25	SC-000115-00	C	FLATHEAD, TORX, .250-20 X .75, , STEEL, BLK PHOSPHATE, W/6219 LUBE	26	23-MAY-2006	24.00	200		
26	SC-000119-00	B	BUTTONHEAD, TORX, .250-20 X 1.00, , STEEL, BLK PHOSPHATE, W/6219 LUBE	27	23-MAY-2006	10.00	200		
27	SC-000126-00	A	SCREW, BH, TORX, .250-20 X .75, , BLK ZINC W/6107 LUBE, CR111	28	23-MAY-2006	4.00	200		
28	SC-000127-00	B	SCREW, PARTICLE BOARD, BH, TORX, #10X .63, , BLK PHOSPHATE W/6219 LUBE,	29	23-MAY-2006	72.00	200		
29	SC-000129-00	B	SHOULDER, SOCKET HEAD, 1/2" X 1", 3/8-16 X .63 THREAD, STEEL UTS > 140 KSI, ASME18.3, BLK PHOSPHATE W/6219 LUBE	30	23-MAY-2006	1.00	200		
30	SC-000130-00	B	SCREW, BH, TORX, .3125-18 X 1.50, , BLK PHOSPHATE W/6219 LUBE,	31	23-MAY-2006	8.00	200		

Current BOM
as of 04-DEC-06 10.25.52 AM

Assembly Item Number: WP-002180-01	Assembly Description: SPEAKER ASSY,ISIS WL218-sw,,,BLACK	Assembly Revision: D	Assy Rev Date: 02-DEC-06	Org: COSTA MESA
------------------------------------	--	----------------------	--------------------------	-----------------

	Part Number	Rev	Description	Item No.	Eff Date	Qty	Op Sequence	Comments	Ref Des
31	SC-000136-00	A	SCREW, BUTTON HEAD, TORX, #10-32, 1.50", STEEL, BLK ZINC W/6107 LU,	32	07-JUN-2006	16.00	200		
32	SC-000137-00	B	SCREW, BUTTON HEAD, TORX, .250-28 X .63", , STEEL, BLK PHOSPHATE, W/6219 LUBE	33	19-JUN-2006	10.00	200		
33	SP-000073-00	C1	WOOFER, 18", , , B&C, 18/101B-8	35	23-MAY-2006	2.00	200		
34	TP-002180-01	1	LSTS, TEST PROCEDURE, WL218-sw,	38	23-MAY-2006	0.00	200		
35	RD-000158-00	K	LABEL, SERIAL NUMBER, SPEAKER, 1.7" X .45" IN-HOUSE	40	14-JUN-2006	0.00	1		